

## ASSEMBLY AND OPERATION

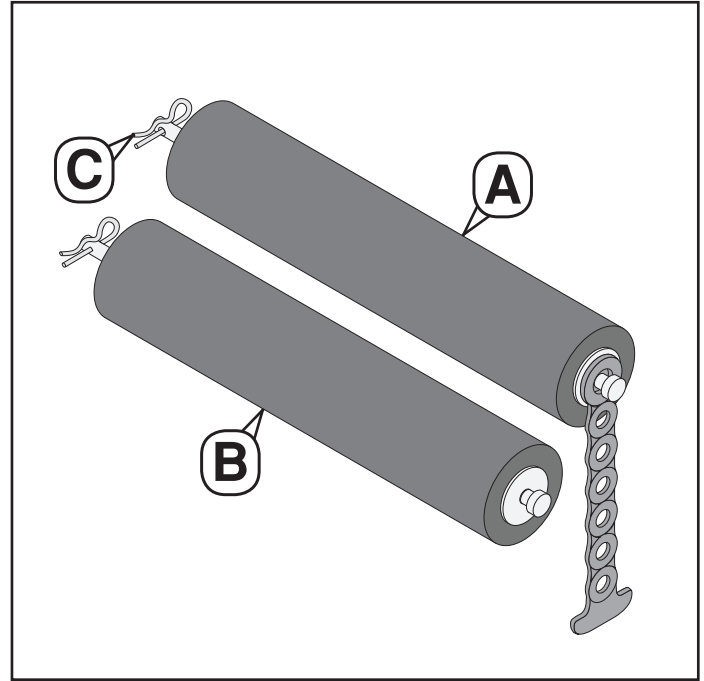
### PARTS LIST

Qty	Description
A	2 Upper Foam Peg with Strap
B	2 Lower Foam Peg
C	4 Retainer Clip

### Preparation

Remove Upper Wheel Cradles from your VRack Bicycle Carrier on one side only. On the same side, depending on your VRack model, untighten the lower Wheel Cradles and slide them down until they are out of the way (if applicable).

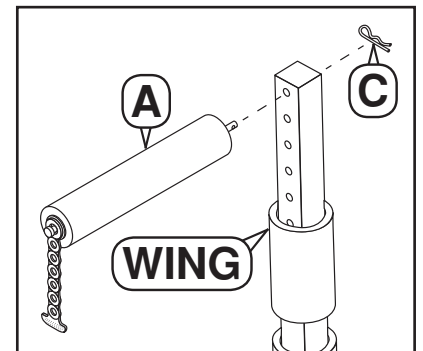
**TIP:** For simple gear access use the side located furthest from the vehicle.



### Step 1:

Using one Upper Foam Peg with the attached Adjustable Rubber Strap [A], remove the pre-attached Retainer Clip [C] and slip the same *thin* end of the Peg into the first hole at the top of the VRack Wing. Re-insert the Retainer Clip to secure the Peg to the Wing.

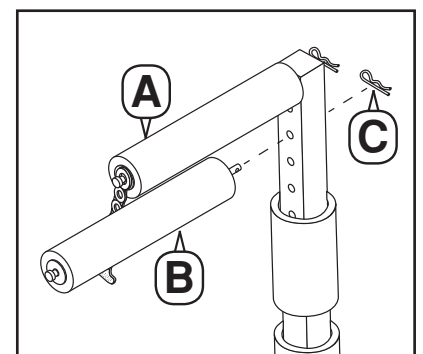
**NOTE:** While using the holes located closest to the top is *recommended*, actual placement of the Pegs along the Wings may vary depending on the equipment to be transported.



### Step 2:

On the same VRack Wing, repeat Step 1, this time using a Lower Foam Peg [B] that *does not have a strap* on the 3rd hole down from the top leaving a "one hole" gap between the Upper & Lower Pegs [A & B]. This is the tightest possible Peg position and is ideal for snowboard & ski transport.

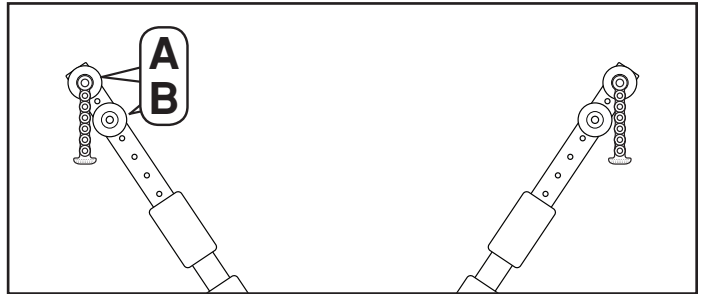
**NOTE:** Lower Peg [B] position may vary depending on thickness of the equipment to be transported. Always use the tightest possible Peg position.



### Step 3:

Repeat Steps 1 & 2 on the opposite Wing on the same side of the VRack.

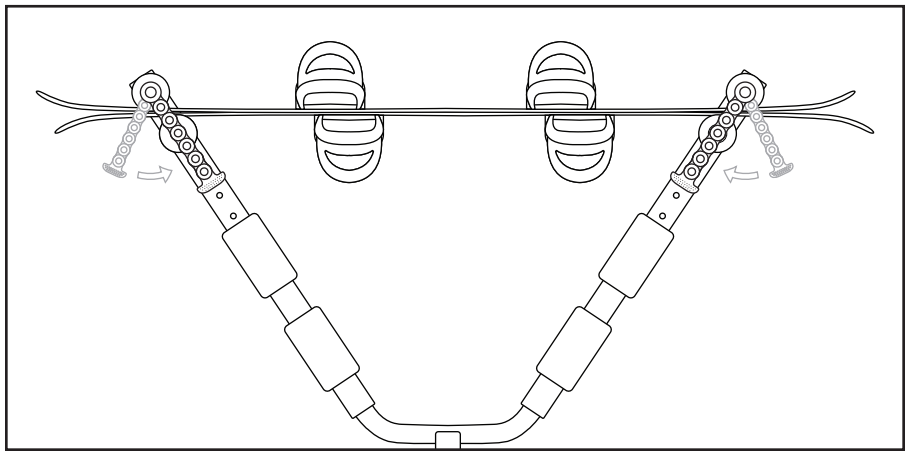
**NOTE:** Pegs must be placed so that weight of the equipment to be transported is symmetrical on either side of the VRack for proper balanced support.



### Operation:

Once all four Pegs [A & B] have been secured with Retainer Clips [C], place the desired equipment for transport in-between the Upper and Lower Peg.

Tightly secure the equipment between the Pegs by stretching the Adjustable Rubber Strap attached to the Upper Peg [A] to secure the strap to the Lower Peg [B] using the tightest possible hole connection. The Adjustable Rubber Strap should be ridged & taut.

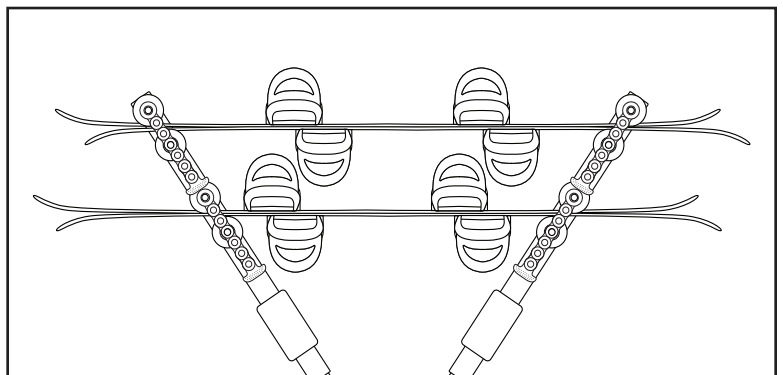


### Expanded Options:

#### Multiple PegBoards:

With the first set of PegBoards installed at the top of the VRack in the highest holes position; using a 2nd set of PegBoards, follow Steps 1-3 inserting the Pegs in to the next available positions underneath the first PegBoard Set.

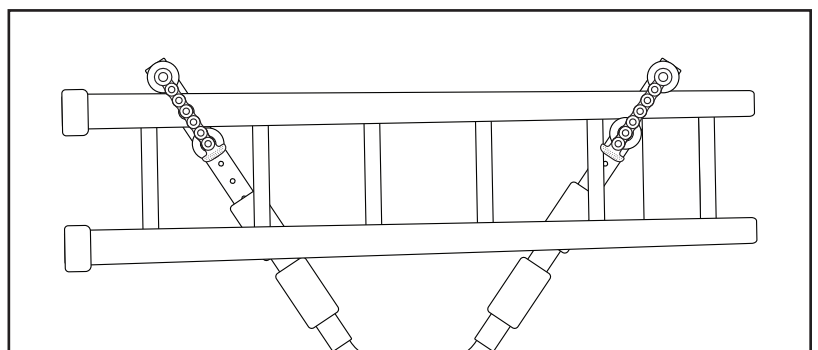
Using the remaining holes on the opposite side of the wing, up to four PegBoard sets can be installed on to a VRack Wing set.



#### Thick or Odd Sized Objects:

The Lower Pegs [B] in the PegBoard set can be adjusted down for use with ladders, lawn equipment and other long objects needing transportation.

**NOTE:** Always be sure equipment weight is properly balanced on the PegBoards before transit.



## Warranty Information

### PEGBOARD GUIDELINES

The PegBoard maximum load weight is 40 lbs per set. Do not exceed this carrying capacity. Do not exceed you VRack's Payload or the receiver hitch manufacturer's tongue weight rating.

Do not use this product for purposes other than those for which they were designed. Failure to follow the guidelines of the product's instructions will void the warranty.

Keep equipment away from vehicle's hot exhaust flow by at least 6 inches.

### ONE YEAR LIMITED WARRANTY

Let's Go Aero warrants this product to be free from defect in material and workmanship for one year (retain your sales receipt for your records). Any product or part thereof found to be defective within that period will be replaced without charge provided that: (1) the product was not misused; (2) no alterations or modifications were made; (3) its failure was not a result of normal wear expected in the use of the product; (4) the product or part is delivered, freight prepaid, to Let's Go Aero. Manufacturers only obligation shall be to replace such products or parts proved to be defective. A Return Merchandise Authorization is required prior to return. Please contact Let's Go Aero toll-free, at 877-464-2376 or 719-630-3800, or via email to support@letsgoaero.com to get an RMA number. This warranty terminates if a purchaser transfers the product to any other person. No warranty is given for LGA products purchased outside of the United States and Canada.

### ABOUT VRACK'S

Let's Go Aero's VRack patented technologies include the following name brands: BikeWing, Vme, NEO, The Nelson's, and more. For a complete list of applicable products, consult our website at LetsGoAero.com

**To register your product, visit the Let's Go Aero website at [www.LetsGoAero.com](http://www.LetsGoAero.com)**

For assistance with this VRack accessory, please contact Let's Go Aero:  
4474 Barnes Rd, Colorado Springs, CO 80917

Phone: 877-464-2376 or 719-630-3800

Email: [Support@LetsGoAero.com](mailto:Support@LetsGoAero.com)

To learn more about our line of bicycle carriers for vehicle, home storage, and accessory options for carrying fat bikes, snowboards/skis, and more, be sure to visit our website: [www.LetsGoAero.com](http://www.LetsGoAero.com)

Copyright © 2017 Lets Go Aero Inc.

## WARNING

Always confirm PegBoard set, Retainer Clips & Equipment are fully secured in tightest possible positions before transport to avoid loss and/or damage to equipment and/or carrier as well as personal injury. Equipment weight MUST always be symmetrically balanced on the PegBoard. Do not exceed maximum 40 lbs Weight Rating.