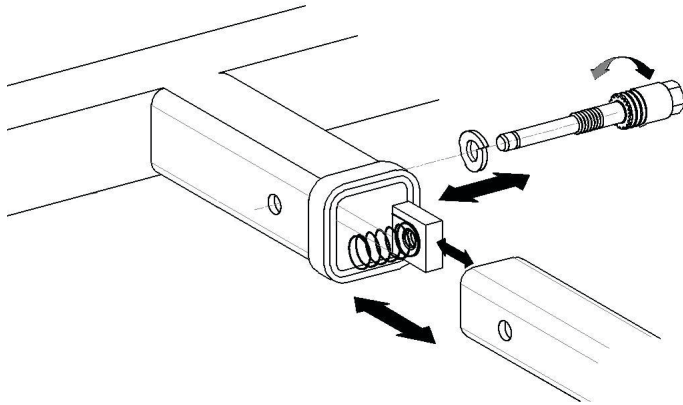


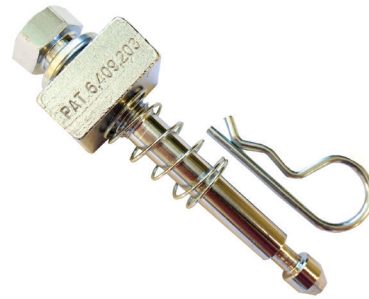
## MOTIONLESS TOWING™

This stabilizing device removes shock loads by taking the movement out of the connection between the vehicle towing system (hitch receiver) and the device being towed (hitch accessory). It keeps all *hollow* tow devices including ball mounts and bicycle racks secure and rattle-free.



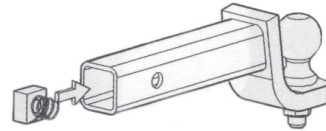
# SILENT HITCH PIN®

LETSGOAERO

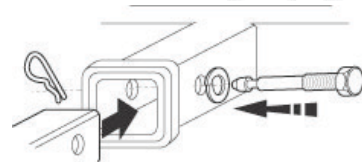


5/8" Silent Hitch Pin®, Class III

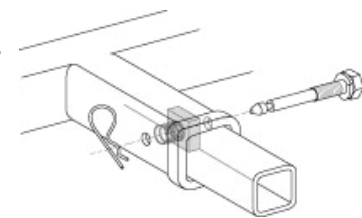
Step 1: Insert the spring nut into the shank tube of the tow accessory as shown (in this example, a ball mount is demonstrated). Make sure the nut threads are in alignment with the shank pin holes.



Step 2: Slide the shank with the spring nut installed into the hitch receiver and align the shank pin hole with the hitch receiver pin hole.



Step 3. Insert the Silent Hitch Pin® with washer through the hole in the receiver as shown. Thread the Silent Hitch Pin® into the spring nut and tighten firmly with a 7/8" wrench. Apply hairpin clip as shown.



YOU ARE NOW READY FOR SAFE AND SILENT TOWING.

Use a 7/8" wrench to securely tighten the Silent Hitch Pin® to 30 ft. lbs - 60 ft. lbs of torque (equivalent to tightening a lug nut on a car wheel). Failure to properly tighten the Silent Hitch Pin® will result in improper function.

Note that the Silent Hitch Pin® cannot be used with solid tow accessory devices (the shank tube must be hollow, not solid).

SILENT TOWING PRODUCTS