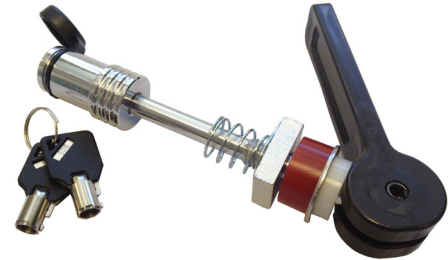
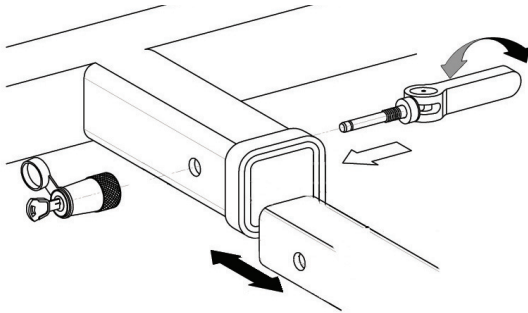


SILENTACT™: Accessory Control Technology™ for V2 Two-Bike Hitch Rack

This No-Tool Required stabilizing device utilizes Let's Go Aero locking Silent Hitch Pin® technology. An integrated handle and rotational crank tightens the locking hitch pin for secure, quiet, and rattle-free towing.



For Installation on 1.25" Hitch Receivers:

Place both white nylon bushings, the large diameter steel washer and the red HydraLok bushing on the pin as shown in the image. Insert the V2 shank into the hitch and thread the SilentACT into the shank until the HydraLok bushing makes contact with the hitch face, then pivot the SilentACT handle to compress the connection. Use the barrel lock for additional security.



1.25" Hitch Installation

For Installation on 2" Hitches:

Place the small steel washer, the large diameter steel washer and the red HydraLok bushing on the pin as shown in the image. Attached the adaptor onto the V2 shank and insert the V2 shank into the hitch. Thread the SilentACT into the hitch and **through the adaptor** as shown. Tighten until the HydraLok bushing makes contact with the hitch face, then pivot the SilentACT handle to compress the connection. Use the barrel lock for additional security.



2" Hitch Installation with 1.25" Adaptor

IMPORTANT: Pin must be threaded through the Adaptor wall as shown



Gear Management Solutions™
www.LetsGoAero.com

U.S. Patent Numbers: 6,409,203; 6,609,725; 6,945,550; 8,079,613

SilentACTV2rev0718

Copyright © 2014 Let's Go Aero, Inc.

SILENT TOWING PRODUCTS