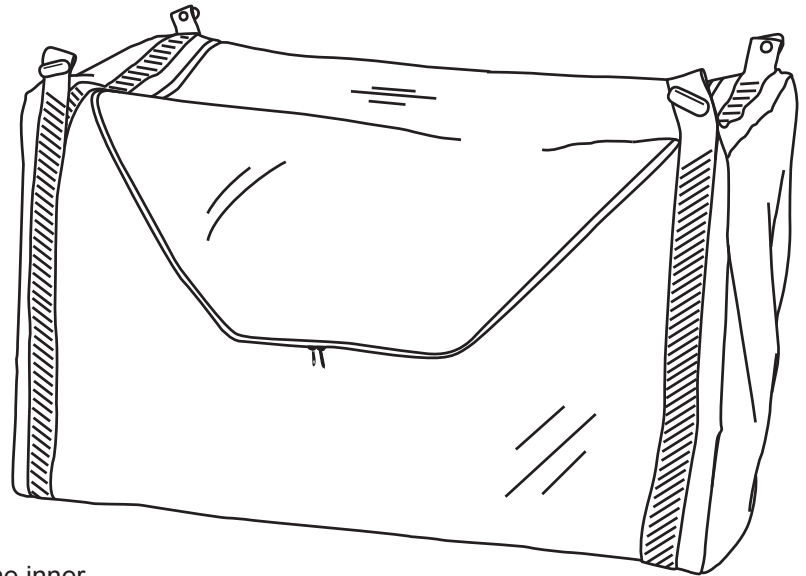


ASSEMBLY AND OPERATION

PARTS LIST

Qty	Description
A	1 AerPack Cargo Bag
B	4 T-Handle Knobs
C	4 2" Fastener Bolts
D	1 Floorboard



Preparation: Remove and unfold the AerPack, Floorboard, and hardware from the packaging. The AerPack sits in-between the Wings of any four bike brand model in the Let's Go aero family of Vme Racks. Ready your bike carrier by removing the Wheel Cradles and Wheel Stops from the inner sides of the Wings (Wheel Stops and Cradles on the unused sides of the Vme do not need to be removed and can still be used for bicycles and gear).

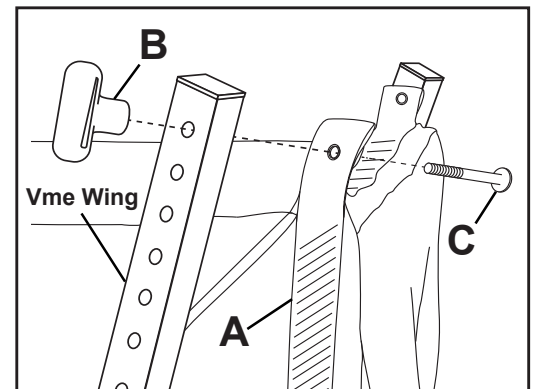
Step 1: Unzip the AerPack and insert the Floorboard into the bottom the bag for support.

Step 2: Position the AerPack between the two Wings of your Vme Four Bike Rack (facing the zippered opening away from the vehicle is recommended for quick access).

Step 3: On the top of the AerPack, locate the four Support Tabs with metal Eyelets (one on each corner). Insert one of the provided 2" Fastener Bolts through an Eyelet with the threaded portion of the Bolt facing away from the cargo bag once completed. Repeat Step 3 on each of the three remaining Support Tabs.

Step 4: With all four Fastener Bolts in place, attach the AerPack to the rack by inserting each Bolt through the wings at the highest hole position.

Step 5: Using the T-Handle Knobs, secure the Bolts and the AerPack to the rack. Adjust bag and tighten the knobs to confirm a secure fit.



Warranty Statement:

AerPack is warranted to be free of manufacturer defect for one year from date of purchase to the original owner.

⚠️ WARNING

Always check that the AerPack and stored contents are fully secured to the carrier before transit to avoid loss or damage.

⚠️ WARNING

Maximum weight capacity is 120 lbs. DO NOT EXCEED MAXIMUM. Always balance load by placing gear in center of the AerPack first.