



Leaders in Superabrasive Finishing Systems

SPM-SE Series Single-Pass Bore Finishing



Single-Pass Bore Finishing Model SPM-SE-6000 shown

High Precision, Tight Tolerance, Low Per Part Cost

For high volume applications, Engis single-pass bore finishing systems are the unsurpassed solution for forward thinking manufacturers to improve roundness, concentricity and finish.

Utilizing the single-pass process, extremely tight tolerances can be held reliably and consistently in your production environment, at a lower overall cost per finished piece. Additionally, Engis diamond plated bore finishing tools ensure high quality by achieving – in standard and semi-blind bores – geometries to within one half of a micron (0.000020”) bringing precise accuracy to your finished part.

Single-Pass Bore Finishing Benefits include:

- Reduced labor costs through automated systems
- Lower cost per hole through long tool life
- Predictable, consistent results
- Improved bore quality
- Fewer rejects
- Less frequent part inspection
- Shorter cycle times
- Higher production rates
- SPC values >2.0 Cpk

This SPM-SE series is a standard line of machines designed to meet the needs of job shops for small to medium size parts. Available in 4, 6, 8 and 10 spindle models, these systems are primarily for parts up to 51mm (2”) diameter.

SPM-SE SERIES

Standard features:

- Servo fed column design
- 457mm (18”) stroke
- Schneider Electric (Telemecanique control) supports all standard single-pass tool machining parameters and functions

Machine Also Includes:

- Class 7 duplex spindle bearings
- 27mm (1-1/16”) diameter ASA spindles
- Pre-lubed for life linear slides and ball screw (32mm (1-1/4”) diameter)
- Pneumatic counter balance on head
- Electro-mechanical, cam-style precision indexer

ENGIS CORPORATION

Leaders in Superabrasive Finishing Systems

105 W. Hintz Road, Wheeling, IL 60090-6038

Tel: 847.808.9400 • Fax: 847.808.9430 • Toll Free 800.99.ENGIS

www.engis.com

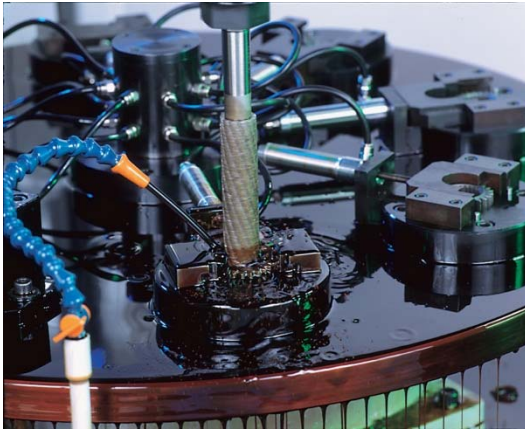
BORE FINISHING



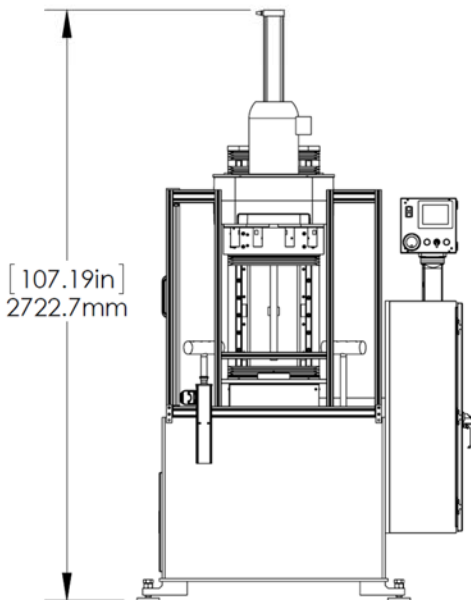
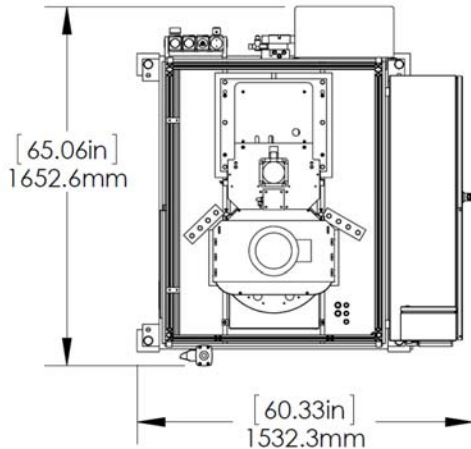


Leaders in Superabrasive Finishing Systems

SPM-SE Series



Custom fixtures available



SPM-SE SPECIFICATIONS:

Machine Weight:	1,700 kg (3,750 lbs)
Required Air Pressure:	6.2 Bar (90 PSI) .14m ³ /min (5 ft ³ /min)
Operating Voltage:	380/460V 50/60Hz 3Ph
Dial Plate Diameter:	508mm (20")
Z-axis Travel:	457mm (18") standard extended stroke available
Maximum Rapid Speed:	8,890 mm/min (350 IPM)
Spindle Motor:	3.7 kW (5 HP)
Spindle Speed:	100-1500 RPM
Spindle:	27mm (1-1/16") diameter ASA
Spindle Nose to Table Max:	600mm (23.6") standard extended length available
Available # of Tools:	4, 6, 8 and 10
Controller:	Schneider Electric
Programming:	Point - Table
Able to process 2 parts/cycle	

OPTIONS:

- 132 liter (35 gallon) coolant system with single cartridge filtration
- 208 liter (55 gallon) coolant system with double cartridge filtration
- Rotary manifold for pneumatically activated clamping
- Spindle crash protection
- Solid tool holder with or without crash protection
- Floating tool holder with or without crash protection
- Floating tool holder with angle modification with or without crash protection
- Quick-change tool adapters
- Full perimeter guarding
- Extended column
- Guarding packages available
- Standard and custom fixturing packages

BORE FINISHING

ENGIS CORPORATION

Leaders in Superabrasive Finishing Systems
105 W. Hintz Road, Wheeling, IL 60090-6038
Tel: 847.808.9400 • Fax: 847.808.9430 • Toll Free 800.99.ENGIS
www.engis.com

Engis is a registered trademark of Engis Corporation U.S.A and other countries.