



High capacity Round Nuts  
***RMS/RMZ***



INNOVATIVE  
BOLTING  
TECHNOLOGY

## Round Nuts RMS/RMZ

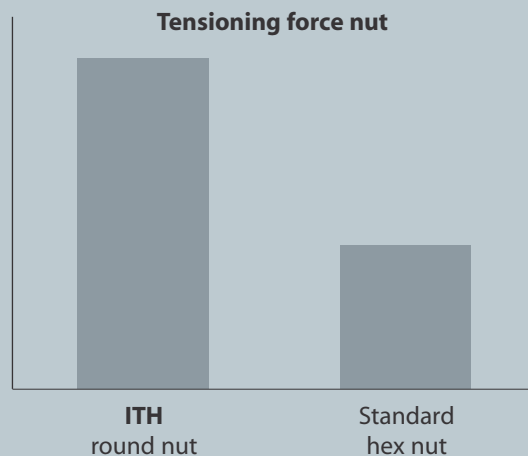
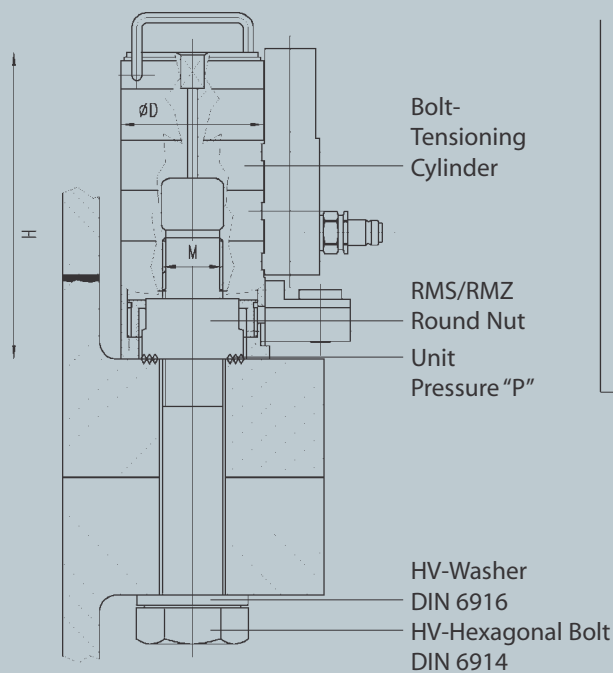
The new round nuts RMS/RMZ developed from ITH can be used in place of the DIN fasteners (HV nut DIN 6915; HV washer DIN 6916) by using the ITH stretching method. The ITH round nut can be delivered in hexagon version (type RMS), a two flat version (type RMZ) and also a customer specific version. The higher preload accuracy and repeatability from using the ITH stretching system comes from the special geometric measurements for the round nuts.

University studies have shown that the preload in the flange connection is 40 % higher by using the ITH round nut RMS/RMZ it is possible to reduce the tightening factor for the tool  $\zeta_A$  compared to a DIN hexagon nut. By using the ITH round nut RMS/RMZ it is possible to reduce the tightening factor for the tool  $\zeta_A$ -factor according to VDI 2230).

**ITH round nuts can be delivered in special coatings (zinc coating, dagromet coating).**

Main features for ITH round nuts:

- reduced unit pressure between round nut and flange connection
- reduced thread pressure at the stud bolt
- high repeatability by using the ITH stretching method
- reduction of tightening factor  $\zeta_A$  possible
- certified design by Germanischer Lloyd



Thread "M"	required force acc. to DIN 18800 [kN]	Round Nut				Bolt-Tensioning Cylinder				
		Type	Order-no	Type	Order-no	Unit pressure "P" [N/m²]	Type	Order-no	Ø "D" [mm]	Height "H" [mm]
M24	220	RMS 24-10	40.10124	RMZ 24-10	40.10123	223	MS 24-10.9	33.10091	59,0	192
M27	290	RMS 27-10	40.10124	RMZ 27-10	40.10123	231	MS 27-10.9	33.10092	65,5	188
M30	350	RMS 30-10	40.10124	RMZ 30-10	40.10123	231	MS 30-10.9	33.10093	73,6	182
M36	510	RMS 36-10	40.10124	RMZ 36-10	40.10123	222	MS 36-10.9	33.10095	84,8	197
M39	610	RMS 39-10	40.10124	RMZ 39-10	40.10123	238	MS 39-10.9	33.10096	102,0	212
M42	710	RMS 42-10	40.10124	RMZ 42-10	40.10123	232	MS 42-10.9	33.10097	100,8	212
M45	820	RMS 45-10	40.10124	RMZ 45-10	40.10123	220	MS 45-10.9	33.10098	107,4	256
M48	930	RMS 48-10	40.10124	RMZ 48-10	40.10123	209	MS 48-10.9	33.10099	120,0	216