

PROJECT:	Criculators	UNIT TAG:	_____	QUANTITY:	1
REPRESENTATIVE:	Hurley Engineering	TYPE OF SERVICE:	Recirculation	DATE:	_____
ENGINEER:	TBD	SUBMITTED BY:	Devin Carle	DATE:	_____
CONTRACTOR:	TBD	APPROVED BY:	_____	DATE:	_____
		ORDER NO.:	_____	DATE:	_____

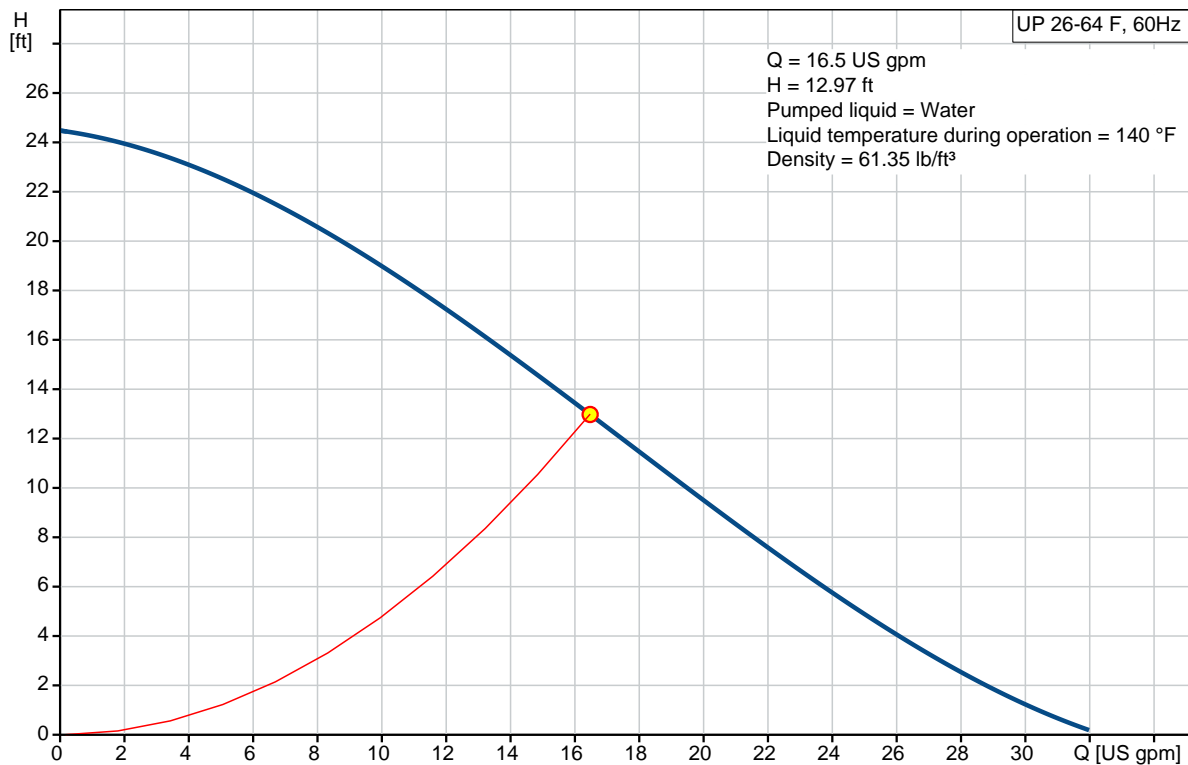


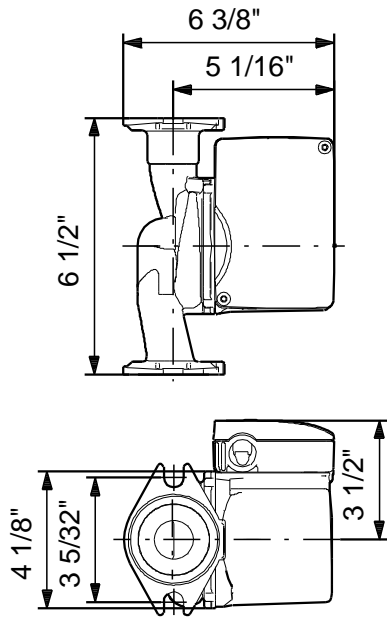
### UP 26-64 F

Circulator pumps

Product photo could vary from the actual product


Conditions of Service		Pump Data		Motor Data	
Flow:	16.5 US gpm	Maximum operating pressure:	145.04 psi	Max. power input:	185 W
Head:	12.97 ft	Liquid temperature range:	35.6 .. 230 °F	Rated voltage:	115 V
Efficiency:	_____	Maximum ambient temperature:	104 °F	Main frequency:	60 Hz
Liquid:	Water	Approvals:	UL, CSA	Insulation class:	F
Temperature:	140 °F	Type of connection:	C.I. Flange	Motor protection:	CONTACT
NPSH required:	ft	Flange standard:	USA Oval	Thermal protection:	internal
Viscosity:	_____	Pipe connection:	2 - Bolt Flange		
Specific Gravity:	0.985	Product number:	52722330		





**Materials:**

Pump housing: Cast iron  
EN-JL1030  
ASTM 30 B  
Impeller: Composite, PES

Count	Description																																		
1	<p data-bbox="288 405 438 443"><b>UP 26-64 F</b></p> <div data-bbox="327 488 657 743">  </div> <p data-bbox="694 757 1150 786" style="text-align: center;">Product photo could vary from the actual product</p> <p data-bbox="288 790 571 819">Product No.: <a href="#">52722330</a></p> <p data-bbox="288 822 826 904">The pump is of the canned rotor type, i.e. pump and motor form an integral unit without shaft seal and with only two gaskets for sealing.</p> <p data-bbox="288 907 847 936">The bearings are lubricated by the pumped liquid.</p> <p data-bbox="288 938 638 967">The pump is characterized by:</p> <ul data-bbox="336 969 884 1115" style="list-style-type: none"> <li>* Ceramic shaft and radial bearings.</li> <li>* Carbon axial bearing.</li> <li>* Stainless steel rotor can and bearing plate.</li> <li>* Corrosion-resistant impeller, Composite, PES.</li> <li>* Cast iron pump housing.</li> </ul> <p data-bbox="288 1144 762 1205">The motor is a 1-phase motor.                      No additional motor protection is required.</p> <p data-bbox="288 1234 387 1263"><b>Liquid:</b></p> <table data-bbox="288 1265 817 1384"> <tr> <td>Pumped liquid:</td> <td>Water</td> </tr> <tr> <td>Liquid temperature range:</td> <td>35.6 .. 230 °F</td> </tr> <tr> <td>Selected liquid temperature:</td> <td>140 °F</td> </tr> <tr> <td>Density:</td> <td>61.35 lb/ft<sup>3</sup></td> </tr> </table> <p data-bbox="288 1413 427 1442"><b>Technical:</b></p> <table data-bbox="288 1444 817 1532"> <tr> <td>Actual calculated flow:</td> <td>16.5 US gpm</td> </tr> <tr> <td>Resulting head of the pump:</td> <td>12.97 ft</td> </tr> <tr> <td>Approvals on nameplate:</td> <td>UL, CSA</td> </tr> </table> <p data-bbox="288 1561 419 1590"><b>Materials:</b></p> <table data-bbox="288 1592 850 1711"> <tr> <td>Pump housing:</td> <td>Cast iron EN-JL1030 ASTM 30 B</td> </tr> <tr> <td>Impeller:</td> <td>Composite, PES</td> </tr> </table> <p data-bbox="288 1740 443 1769"><b>Installation:</b></p> <table data-bbox="288 1771 831 2011"> <tr> <td>Maximum ambient temperature:</td> <td>104 °F</td> </tr> <tr> <td>Ambient max at 176°F liquid:</td> <td>176 °F</td> </tr> <tr> <td>Maximum operating pressure:</td> <td>145.04 psi</td> </tr> <tr> <td>Flange standard:</td> <td>USA Oval</td> </tr> <tr> <td>Type of connection:</td> <td>C.I. Flange</td> </tr> <tr> <td>Pipe connection:</td> <td>2 - Bolt Flange</td> </tr> <tr> <td>Pressure stage:</td> <td>10</td> </tr> <tr> <td>Port-to-port length:</td> <td>6 1/2 in</td> </tr> </table>	Pumped liquid:	Water	Liquid temperature range:	35.6 .. 230 °F	Selected liquid temperature:	140 °F	Density:	61.35 lb/ft <sup>3</sup>	Actual calculated flow:	16.5 US gpm	Resulting head of the pump:	12.97 ft	Approvals on nameplate:	UL, CSA	Pump housing:	Cast iron EN-JL1030 ASTM 30 B	Impeller:	Composite, PES	Maximum ambient temperature:	104 °F	Ambient max at 176°F liquid:	176 °F	Maximum operating pressure:	145.04 psi	Flange standard:	USA Oval	Type of connection:	C.I. Flange	Pipe connection:	2 - Bolt Flange	Pressure stage:	10	Port-to-port length:	6 1/2 in
Pumped liquid:	Water																																		
Liquid temperature range:	35.6 .. 230 °F																																		
Selected liquid temperature:	140 °F																																		
Density:	61.35 lb/ft <sup>3</sup>																																		
Actual calculated flow:	16.5 US gpm																																		
Resulting head of the pump:	12.97 ft																																		
Approvals on nameplate:	UL, CSA																																		
Pump housing:	Cast iron EN-JL1030 ASTM 30 B																																		
Impeller:	Composite, PES																																		
Maximum ambient temperature:	104 °F																																		
Ambient max at 176°F liquid:	176 °F																																		
Maximum operating pressure:	145.04 psi																																		
Flange standard:	USA Oval																																		
Type of connection:	C.I. Flange																																		
Pipe connection:	2 - Bolt Flange																																		
Pressure stage:	10																																		
Port-to-port length:	6 1/2 in																																		



Company name: Hurley Engineering  
Created by:  
Phone:

Date: 3/23/2020

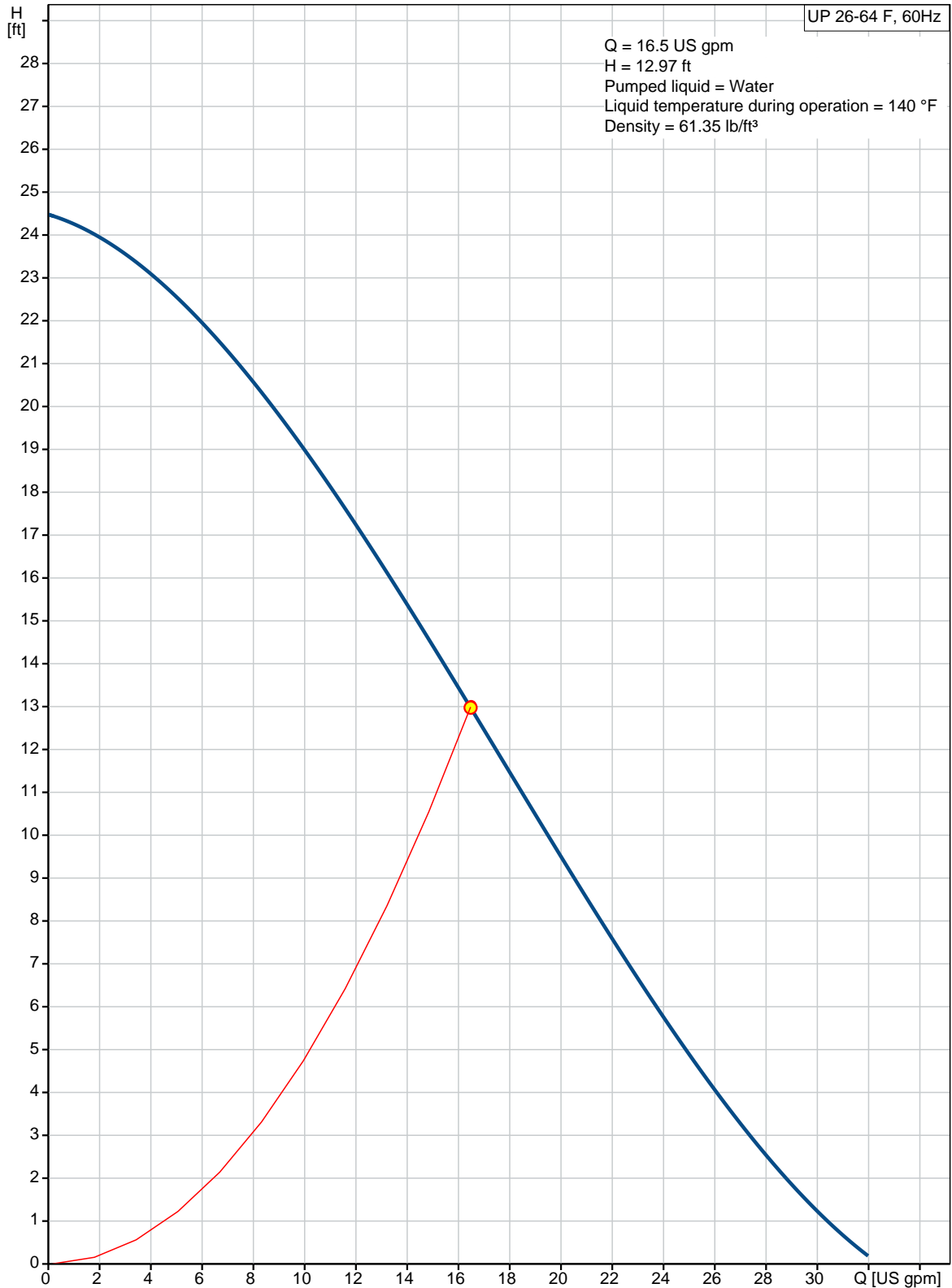
Count	Description
	<b>Electrical data:</b> Max. power input: 185 W Main frequency: 60 Hz Rated voltage: 1 x 115 V Current in speed 3: 1.7 A Capacitor size - run: 8 $\mu$ F/180 V Number of poles: 2 Insulation class (IEC 85): F
	<b>Others:</b> Gross weight: 11.2 lb Country of origin: US Custom tariff no.: 8413.70.2005



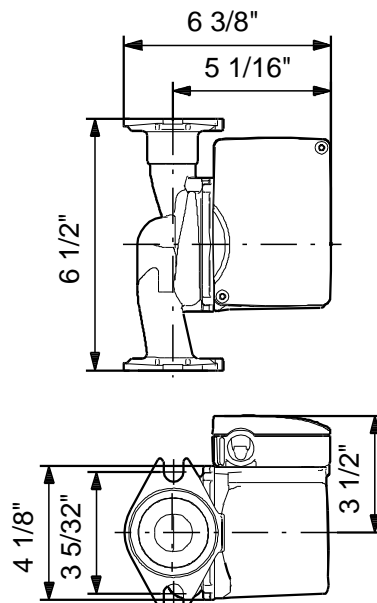
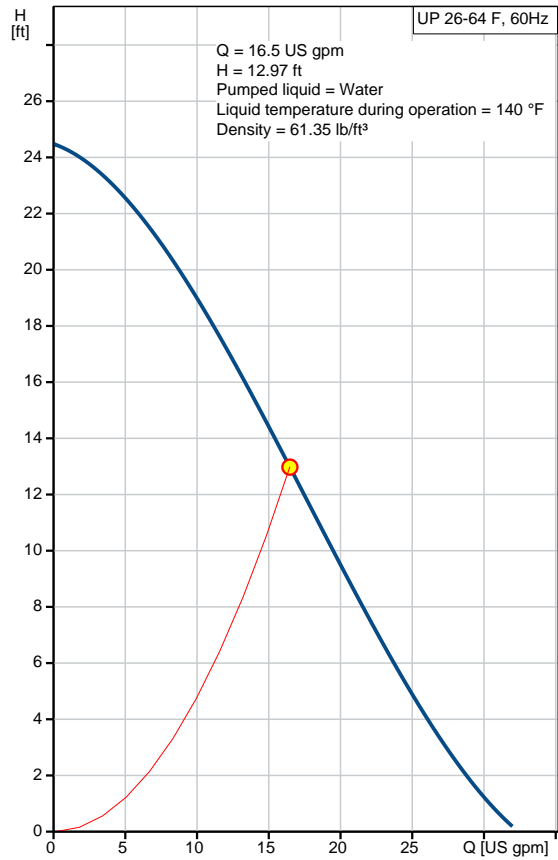
Company name: Hurley Engineering  
Created by:  
Phone:

Date: 3/23/2020

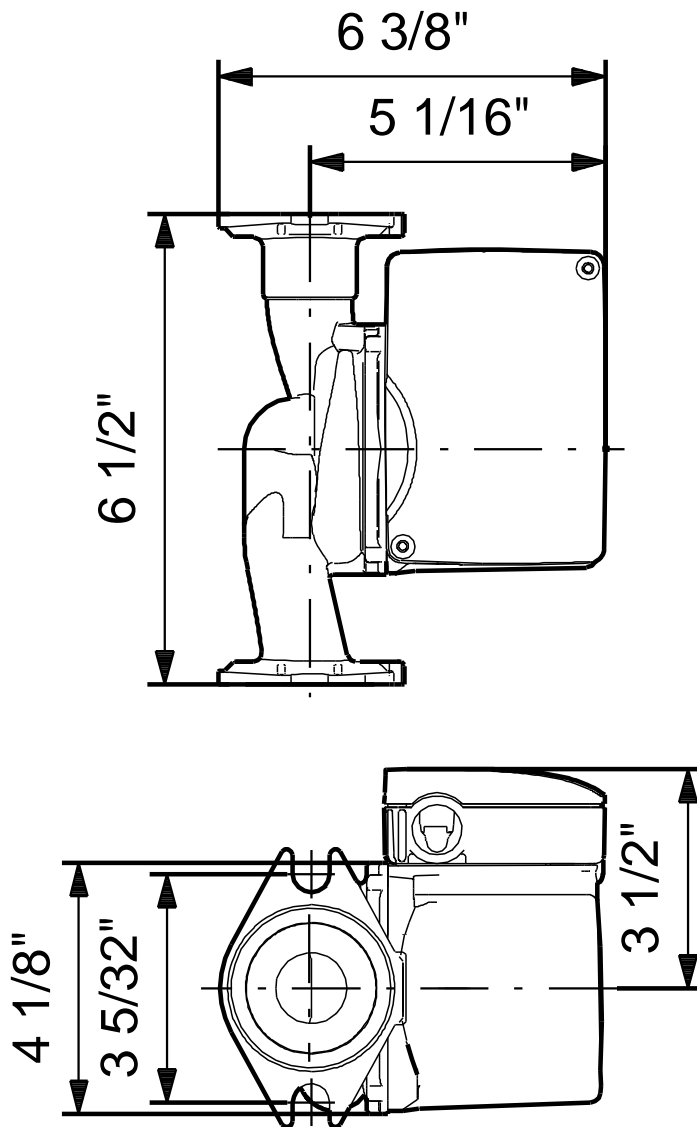
### 52722330 UP 26-64 F 60 Hz



Description	Value
<b>General information:</b>	
Product name:	UP 26-64 F
Product No.:	52722330
EAN:	5700391375828
	5700391375828
<b>Technical:</b>	
Speed Number:	1
Actual calculated flow:	16.5 US gpm
Max flow:	32.1 US gpm
Resulting head of the pump:	12.97 ft
Head max:	24.61 ft
Approvals on nameplate:	UL, CSA
<b>Materials:</b>	
Pump housing:	Cast iron
	EN-JL1030
	ASTM 30 B
Impeller:	Composite, PES
<b>Installation:</b>	
Maximum ambient temperature:	104 °F
Ambient max at 176°F liquid:	176 °F
Maximum operating pressure:	145.04 psi
Flange standard:	USA Oval
Type of connection:	C.I. Flange
Pipe connection:	2 - Bolt Flange
Pressure stage:	10
Port-to-port length:	6 1/2 in
<b>Liquid:</b>	
Pumped liquid:	Water
Liquid temperature range:	35.6 .. 230 °F
Selected liquid temperature:	140 °F
Density:	61.35 lb/ft <sup>3</sup>
<b>Electrical data:</b>	
Max. power input:	185 W
Main frequency:	60 Hz
Rated voltage:	1 x 115 V
Current in speed 3:	1.7 A
Capacitor size - run:	8 µF/180 V
Number of poles:	2
Insulation class (IEC 85):	F
Motor protection:	CONTACT
Thermal protec:	internal
<b>Controls:</b>	
Pos term box:	9H
<b>Others:</b>	
Gross weight:	11.2 lb
Country of origin:	US
Custom tariff no.:	8413.70.2005



**52722330 UP 26-64 F 60 Hz**



Note! All units are in [in] unless otherwise stated.  
Disclaimer: This simplified dimensional drawing does not show all details.