

PROJECT:	Criculators	UNIT TAG:	_____	QUANTITY:	1
REPRESENTATIVE:	Hurley Engineering	TYPE OF SERVICE:	Recirculation	DATE:	_____
ENGINEER:	TBD	SUBMITTED BY:	Devin Carle	DATE:	_____
CONTRACTOR:	TBD	APPROVED BY:	_____	DATE:	_____
		ORDER NO.:	_____	DATE:	_____

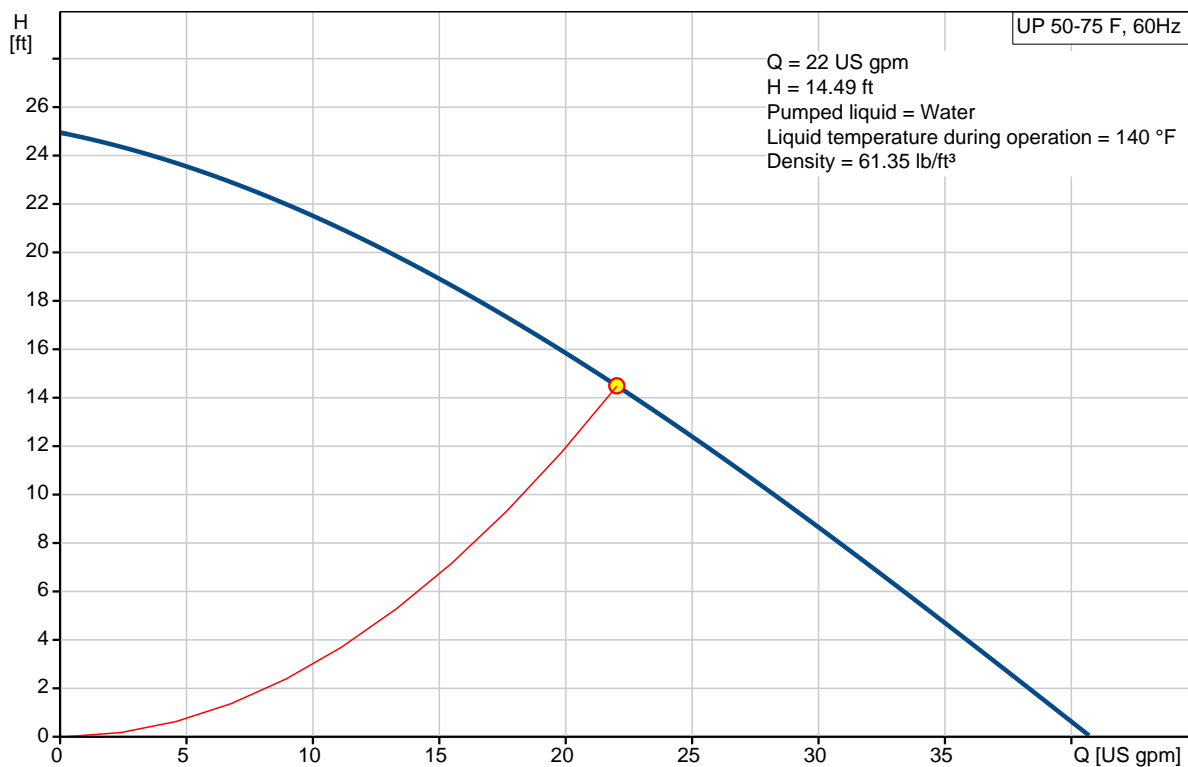


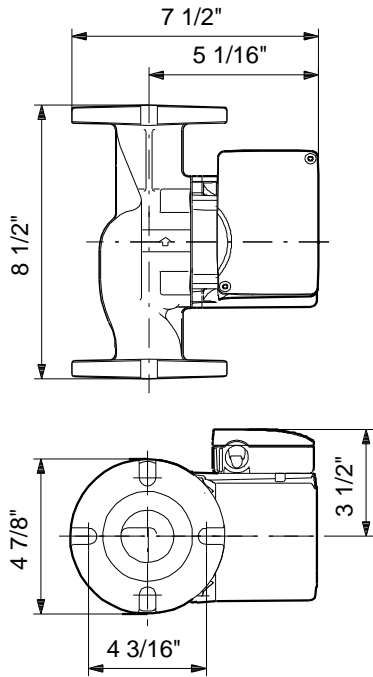
### UP 50-75 F

Circulator pumps

Product photo could vary from the actual product


Conditions of Service	Pump Data	Motor Data
Flow: 22 US gpm	Maximum operating pressure: 145.04 psi	Max. power input: 215 W
Head: 14.49 ft	Liquid temperature range: 32 .. 230 °F	Rated voltage: 115 V
Efficiency: _____	Maximum ambient temperature: 104 °F	Main frequency: 60 Hz
Liquid: Water	Approvals: UL, CSA	Insulation class: F
Temperature: 140 °F	Type of connection: C.I. Flange	Motor protection: CONTACT
NPSH required: ft	Flange standard: USA Oval	Thermal protection: internal
Viscosity: _____	Pipe connection: 4 - Bolt Flange	
Specific Gravity: 0.985	Product number: 52722352	





**Materials:**

Pump housing: Cast iron  
EN-JL1030  
ASTM 30 B  
Impeller: Composite, PES

Count	Description																																		
1	<p data-bbox="288 405 438 439"><b>UP 50-75 F</b></p> <div data-bbox="327 488 657 743">  </div> <p data-bbox="694 757 1150 784" style="text-align: right;">Product photo could vary from the actual product</p> <p data-bbox="288 788 571 815">Product No.: <a href="#">52722352</a></p> <p data-bbox="288 819 826 904">The pump is of the canned rotor type, i.e. pump and motor form an integral unit without shaft seal and with only two gaskets for sealing.</p> <p data-bbox="288 909 847 936">The bearings are lubricated by the pumped liquid.</p> <p data-bbox="288 940 635 967">The pump is characterized by:</p> <ul data-bbox="338 972 884 1115" style="list-style-type: none"> <li>* Ceramic shaft and radial bearings.</li> <li>* Carbon axial bearing.</li> <li>* Stainless steel rotor can and bearing plate.</li> <li>* Corrosion-resistant impeller, Composite, PES.</li> <li>* Cast iron pump housing.</li> </ul> <p data-bbox="288 1146 762 1205">The motor is a 1-phase motor.                      No additional motor protection is required.</p> <p data-bbox="288 1236 384 1263"><b>Liquid:</b></p> <table data-bbox="288 1267 798 1384"> <tr> <td>Pumped liquid:</td> <td>Water</td> </tr> <tr> <td>Liquid temperature range:</td> <td>32 .. 230 °F</td> </tr> <tr> <td>Selected liquid temperature:</td> <td>140 °F</td> </tr> <tr> <td>Density:</td> <td>61.35 lb/ft³</td> </tr> </table> <p data-bbox="288 1415 427 1442"><b>Technical:</b></p> <table data-bbox="288 1447 794 1532"> <tr> <td>Actual calculated flow:</td> <td>22 US gpm</td> </tr> <tr> <td>Resulting head of the pump:</td> <td>14.49 ft</td> </tr> <tr> <td>Approvals on nameplate:</td> <td>UL, CSA</td> </tr> </table> <p data-bbox="288 1563 421 1590"><b>Materials:</b></p> <table data-bbox="288 1594 849 1711"> <tr> <td>Pump housing:</td> <td>Cast iron EN-JL1030 ASTM 30 B</td> </tr> <tr> <td>Impeller:</td> <td>Composite, PES</td> </tr> </table> <p data-bbox="288 1742 443 1769"><b>Installation:</b></p> <table data-bbox="288 1774 829 2011"> <tr> <td>Maximum ambient temperature:</td> <td>104 °F</td> </tr> <tr> <td>Ambient max at 176°F liquid:</td> <td>176 °F</td> </tr> <tr> <td>Maximum operating pressure:</td> <td>145.04 psi</td> </tr> <tr> <td>Flange standard:</td> <td>USA Oval</td> </tr> <tr> <td>Type of connection:</td> <td>C.I. Flange</td> </tr> <tr> <td>Pipe connection:</td> <td>4 - Bolt Flange</td> </tr> <tr> <td>Pressure stage:</td> <td>10</td> </tr> <tr> <td>Port-to-port length:</td> <td>8 1/2 in</td> </tr> </table>	Pumped liquid:	Water	Liquid temperature range:	32 .. 230 °F	Selected liquid temperature:	140 °F	Density:	61.35 lb/ft³	Actual calculated flow:	22 US gpm	Resulting head of the pump:	14.49 ft	Approvals on nameplate:	UL, CSA	Pump housing:	Cast iron EN-JL1030 ASTM 30 B	Impeller:	Composite, PES	Maximum ambient temperature:	104 °F	Ambient max at 176°F liquid:	176 °F	Maximum operating pressure:	145.04 psi	Flange standard:	USA Oval	Type of connection:	C.I. Flange	Pipe connection:	4 - Bolt Flange	Pressure stage:	10	Port-to-port length:	8 1/2 in
Pumped liquid:	Water																																		
Liquid temperature range:	32 .. 230 °F																																		
Selected liquid temperature:	140 °F																																		
Density:	61.35 lb/ft³																																		
Actual calculated flow:	22 US gpm																																		
Resulting head of the pump:	14.49 ft																																		
Approvals on nameplate:	UL, CSA																																		
Pump housing:	Cast iron EN-JL1030 ASTM 30 B																																		
Impeller:	Composite, PES																																		
Maximum ambient temperature:	104 °F																																		
Ambient max at 176°F liquid:	176 °F																																		
Maximum operating pressure:	145.04 psi																																		
Flange standard:	USA Oval																																		
Type of connection:	C.I. Flange																																		
Pipe connection:	4 - Bolt Flange																																		
Pressure stage:	10																																		
Port-to-port length:	8 1/2 in																																		



Company name: Hurley Engineering  
Created by:  
Phone:

Date: 3/23/2020

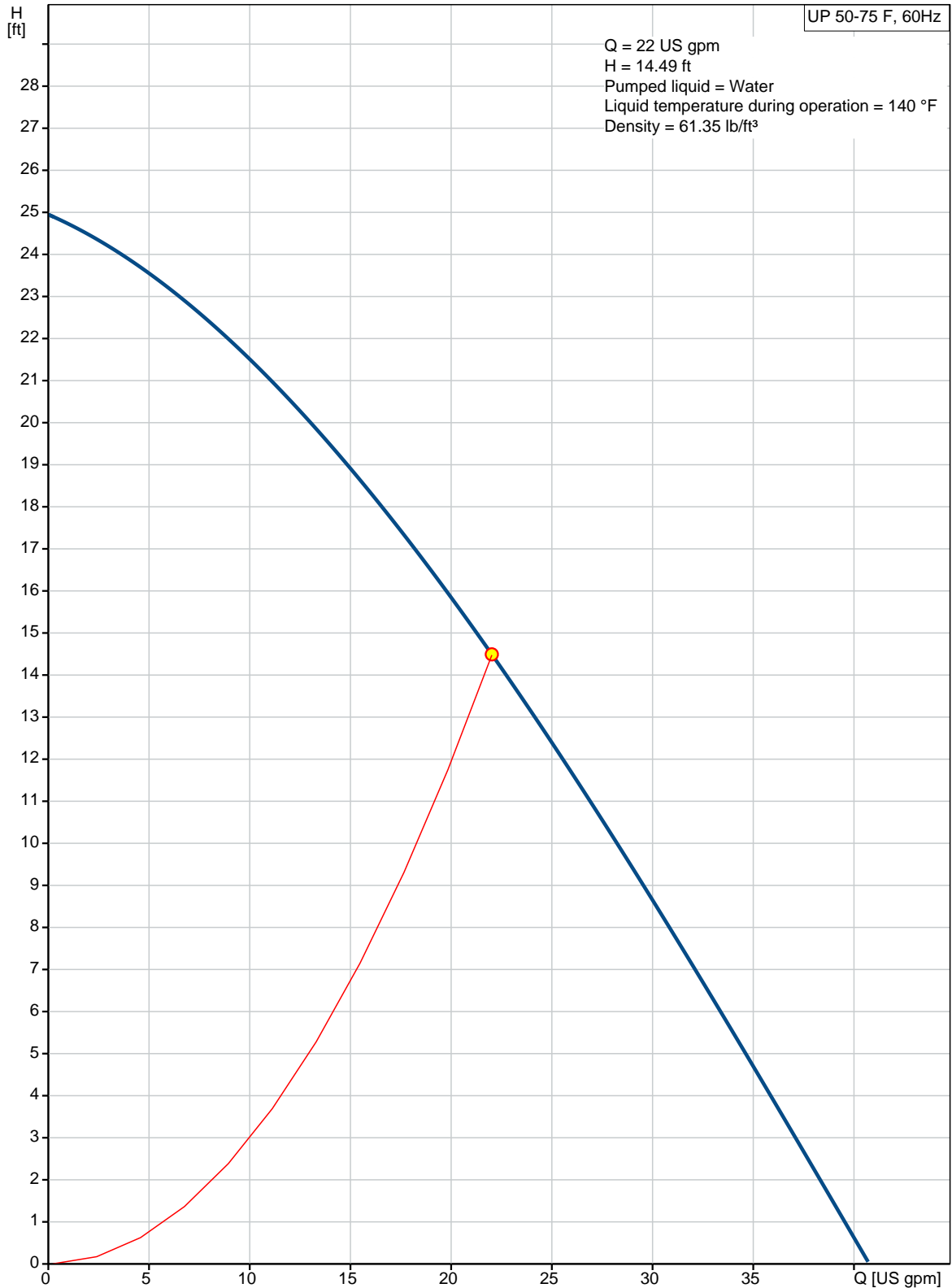
Count	Description
	<b>Electrical data:</b> Max. power input: 215 W Main frequency: 60 Hz Rated voltage: 1 x 115 V Current in speed 3: 2.15 A Capacitor size - run: 10 $\mu$ F/180 V Number of poles: 2 Insulation class (IEC 85): F
	<b>Others:</b> Gross weight: 15.5 lb Country of origin: US Custom tariff no.: 8413.70.2005



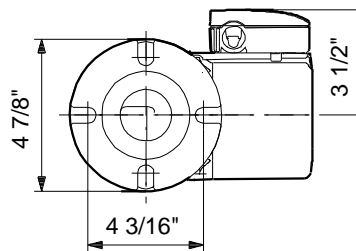
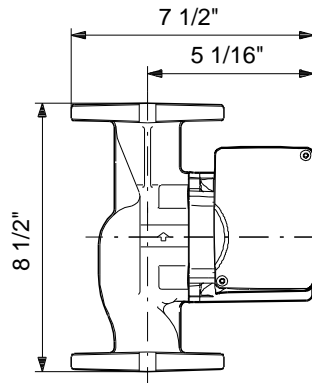
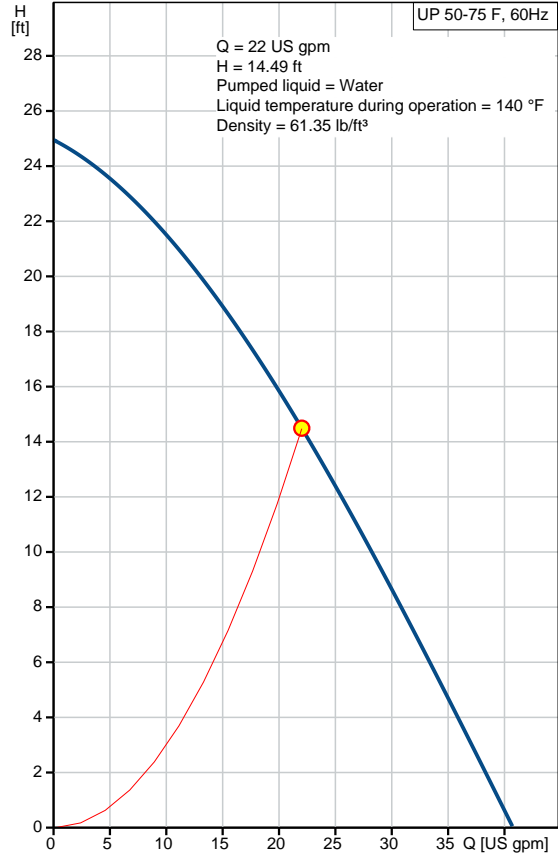
Company name: Hurley Engineering  
Created by:  
Phone:

Date: 3/23/2020

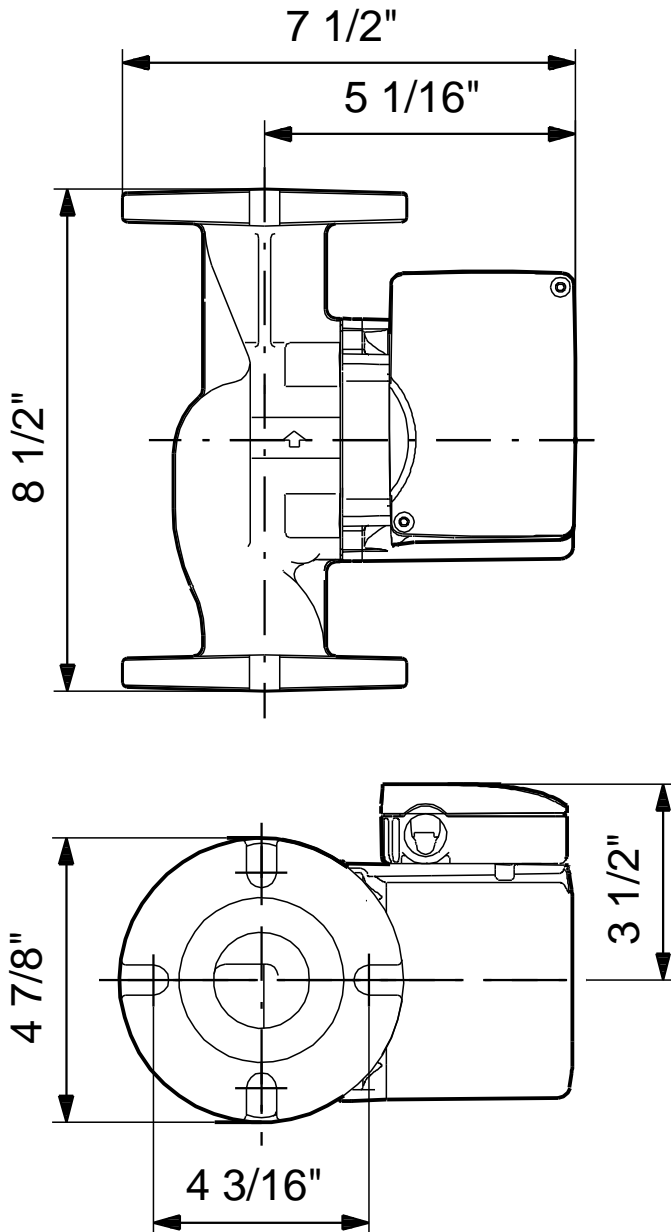
### 52722352 UP 50-75 F 60 Hz



Description	Value
<b>General information:</b>	
Product name:	UP 50-75 F
Product No.:	<a href="#">52722352</a>
EAN:	5700391376665 5700391376665
<b>Technical:</b>	
Speed Number:	1
Actual calculated flow:	22 US gpm
Max flow:	40.9 US gpm
Resulting head of the pump:	14.49 ft
Head max:	24.94 ft
Approvals on nameplate:	UL, CSA
<b>Materials:</b>	
Pump housing:	Cast iron EN-JL1030 ASTM 30 B
Impeller:	Composite, PES
<b>Installation:</b>	
Maximum ambient temperature:	104 °F
Ambient max at 176°F liquid:	176 °F
Maximum operating pressure:	145.04 psi
Flange standard:	USA Oval
Type of connection:	C.I. Flange
Pipe connection:	4 - Bolt Flange
Pressure stage:	10
Port-to-port length:	8 1/2 in
<b>Liquid:</b>	
Pumped liquid:	Water
Liquid temperature range:	32 .. 230 °F
Selected liquid temperature:	140 °F
Density:	61.35 lb/ft³
<b>Electrical data:</b>	
Max. power input:	215 W
Main frequency:	60 Hz
Rated voltage:	1 x 115 V
Current in speed 3:	2.15 A
Capacitor size - run:	10 µF/180 V
Number of poles:	2
Insulation class (IEC 85):	F
Motor protection:	CONTACT
Thermal protec:	internal
<b>Controls:</b>	
Pos term box:	9H
<b>Others:</b>	
Gross weight:	15.5 lb
Country of origin:	US
Custom tariff no.:	8413.70.2005



**52722352 UP 50-75 F 60 Hz**



Note! All units are in [in] unless otherwise stated.  
Disclaimer: This simplified dimensional drawing does not show all details.