

| | | | | | |
|-----------------|--------------------|------------------|---------------|-----------|-------|
| PROJECT: | Criculators | UNIT TAG: | _____ | QUANTITY: | 1 |
| REPRESENTATIVE: | Hurley Engineering | TYPE OF SERVICE: | Recirculation | DATE: | _____ |
| ENGINEER: | TBD | SUBMITTED BY: | Devin Carle | DATE: | _____ |
| CONTRACTOR: | TBD | APPROVED BY: | _____ | DATE: | _____ |
| | | ORDER NO.: | _____ | DATE: | _____ |

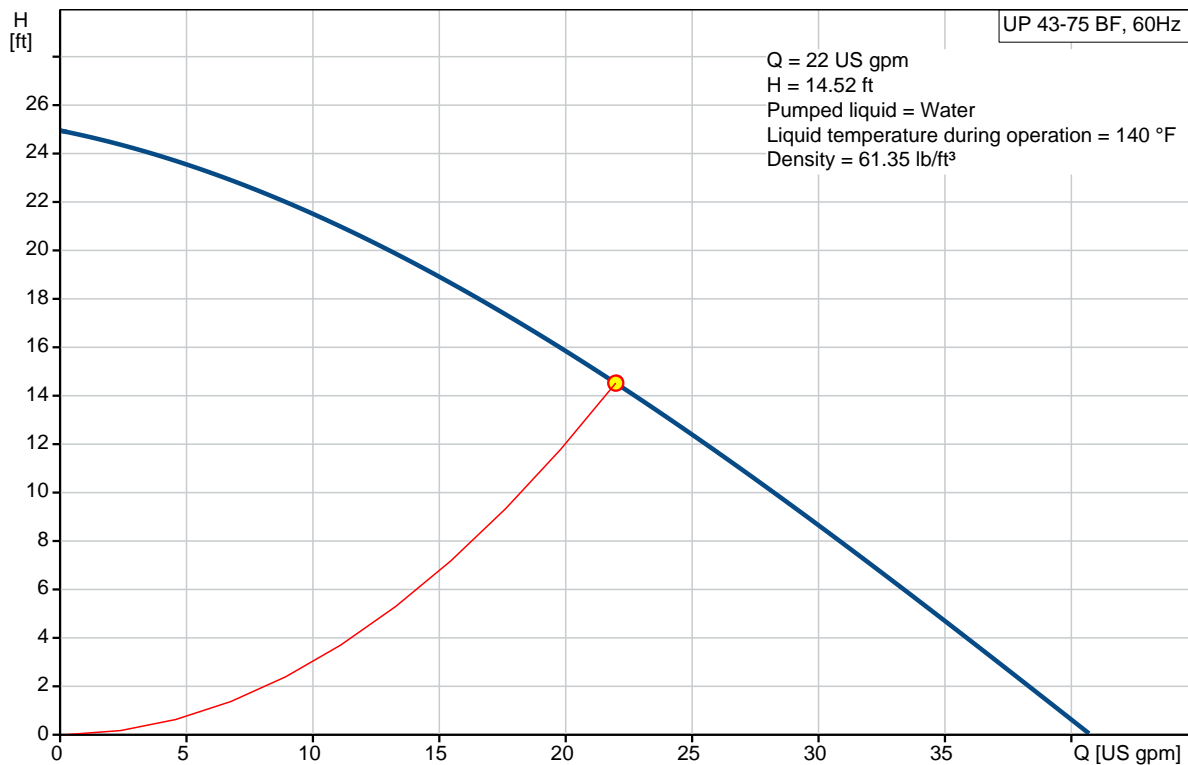


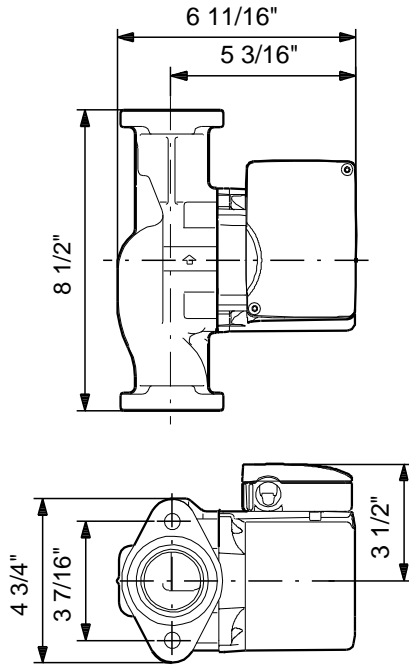
UP 43-75 BF

Circulator pumps

Product photo could vary from the actual product

| Conditions of Service | Pump Data | Motor Data |
|-------------------------|--|------------------------------|
| Flow: 22 US gpm | Maximum operating pressure: 145.04 psi | Max. power input: 215 W |
| Head: 14.52 ft | Liquid temperature range: 32 .. 230 °F | Rated voltage: 115 V |
| Efficiency: _____ | Maximum ambient temperature: 104 °F | Main frequency: 60 Hz |
| Liquid: Water | Approvals: UL, CSA | Insulation class: F |
| Temperature: 140 °F | Type of connection: Bronze Flange | Motor protection: CONTACT |
| NPSH required: ft | Flange standard: USA Oval | Thermal protection: internal |
| Viscosity: _____ | Pipe connection: 2 - Bolt Flange | |
| Specific Gravity: 0.985 | Product number: 52722370 | |





Materials:

Pump housing: Bronze
DIN W.-Nr. 2.1176.01
Impeller: Composite, PES

| Count | Description | | | | | | | | | | | | | | | | | | | | | | | | | | | | | | | | | | | | |
|------------------------------|---|----------------|-------|---------------------------|--------------|------------------------------|--------|----------|--------------|-------------------------|-----------|-----------------------------|----------|-------------------------|---------|---------------|--------|--|----------------------|-----------|----------------|------------------------------|--------|------------------------------|--------|-----------------------------|------------|------------------|----------|---------------------|---------------|------------------|-----------------|-----------------|----|----------------------|----------|
| 1 | <p data-bbox="290 405 446 439">UP 43-75 BF</p> <div data-bbox="327 488 657 743" data-label="Image"> </div> <p data-bbox="694 757 1149 784" style="text-align: center;">Product photo could vary from the actual product</p> <p data-bbox="290 788 566 815">Product No.: 52722370</p> <p data-bbox="290 819 821 904">The pump is of the canned rotor type, i.e. pump and motor form an integral unit without shaft seal and with only two gaskets for sealing.</p> <p data-bbox="290 909 845 936">The bearings are lubricated by the pumped liquid.</p> <p data-bbox="290 940 630 967">The pump is characterized by:</p> <ul data-bbox="335 972 885 1115" style="list-style-type: none"> * Ceramic shaft and radial bearings. * Carbon axial bearing. * Stainless steel rotor can and bearing plate. * Corrosion-resistant impeller, Composite, PES. * Bronze pump housing. <p data-bbox="290 1146 758 1205">The motor is a 1-phase motor. No additional motor protection is required.</p> <p data-bbox="290 1236 383 1263">Liquid:</p> <table data-bbox="290 1267 798 1384"> <tr> <td>Pumped liquid:</td> <td>Water</td> </tr> <tr> <td>Liquid temperature range:</td> <td>32 .. 230 °F</td> </tr> <tr> <td>Selected liquid temperature:</td> <td>140 °F</td> </tr> <tr> <td>Density:</td> <td>61.35 lb/ft³</td> </tr> </table> <p data-bbox="290 1415 422 1442">Technical:</p> <table data-bbox="290 1447 790 1532"> <tr> <td>Actual calculated flow:</td> <td>22 US gpm</td> </tr> <tr> <td>Resulting head of the pump:</td> <td>14.52 ft</td> </tr> <tr> <td>Approvals on nameplate:</td> <td>UL, CSA</td> </tr> </table> <p data-bbox="290 1563 414 1590">Materials:</p> <table data-bbox="290 1594 901 1680"> <tr> <td>Pump housing:</td> <td>Bronze</td> </tr> <tr> <td></td> <td>DIN W.-Nr. 2.1176.01</td> </tr> <tr> <td>Impeller:</td> <td>Composite, PES</td> </tr> </table> <p data-bbox="290 1711 438 1738">Installation:</p> <table data-bbox="290 1742 829 1980"> <tr> <td>Maximum ambient temperature:</td> <td>104 °F</td> </tr> <tr> <td>Ambient max at 176°F liquid:</td> <td>176 °F</td> </tr> <tr> <td>Maximum operating pressure:</td> <td>145.04 psi</td> </tr> <tr> <td>Flange standard:</td> <td>USA Oval</td> </tr> <tr> <td>Type of connection:</td> <td>Bronze Flange</td> </tr> <tr> <td>Pipe connection:</td> <td>2 - Bolt Flange</td> </tr> <tr> <td>Pressure stage:</td> <td>10</td> </tr> <tr> <td>Port-to-port length:</td> <td>8 1/2 in</td> </tr> </table> <p data-bbox="290 2011 478 2038">Electrical data:</p> | Pumped liquid: | Water | Liquid temperature range: | 32 .. 230 °F | Selected liquid temperature: | 140 °F | Density: | 61.35 lb/ft³ | Actual calculated flow: | 22 US gpm | Resulting head of the pump: | 14.52 ft | Approvals on nameplate: | UL, CSA | Pump housing: | Bronze | | DIN W.-Nr. 2.1176.01 | Impeller: | Composite, PES | Maximum ambient temperature: | 104 °F | Ambient max at 176°F liquid: | 176 °F | Maximum operating pressure: | 145.04 psi | Flange standard: | USA Oval | Type of connection: | Bronze Flange | Pipe connection: | 2 - Bolt Flange | Pressure stage: | 10 | Port-to-port length: | 8 1/2 in |
| Pumped liquid: | Water | | | | | | | | | | | | | | | | | | | | | | | | | | | | | | | | | | | | |
| Liquid temperature range: | 32 .. 230 °F | | | | | | | | | | | | | | | | | | | | | | | | | | | | | | | | | | | | |
| Selected liquid temperature: | 140 °F | | | | | | | | | | | | | | | | | | | | | | | | | | | | | | | | | | | | |
| Density: | 61.35 lb/ft³ | | | | | | | | | | | | | | | | | | | | | | | | | | | | | | | | | | | | |
| Actual calculated flow: | 22 US gpm | | | | | | | | | | | | | | | | | | | | | | | | | | | | | | | | | | | | |
| Resulting head of the pump: | 14.52 ft | | | | | | | | | | | | | | | | | | | | | | | | | | | | | | | | | | | | |
| Approvals on nameplate: | UL, CSA | | | | | | | | | | | | | | | | | | | | | | | | | | | | | | | | | | | | |
| Pump housing: | Bronze | | | | | | | | | | | | | | | | | | | | | | | | | | | | | | | | | | | | |
| | DIN W.-Nr. 2.1176.01 | | | | | | | | | | | | | | | | | | | | | | | | | | | | | | | | | | | | |
| Impeller: | Composite, PES | | | | | | | | | | | | | | | | | | | | | | | | | | | | | | | | | | | | |
| Maximum ambient temperature: | 104 °F | | | | | | | | | | | | | | | | | | | | | | | | | | | | | | | | | | | | |
| Ambient max at 176°F liquid: | 176 °F | | | | | | | | | | | | | | | | | | | | | | | | | | | | | | | | | | | | |
| Maximum operating pressure: | 145.04 psi | | | | | | | | | | | | | | | | | | | | | | | | | | | | | | | | | | | | |
| Flange standard: | USA Oval | | | | | | | | | | | | | | | | | | | | | | | | | | | | | | | | | | | | |
| Type of connection: | Bronze Flange | | | | | | | | | | | | | | | | | | | | | | | | | | | | | | | | | | | | |
| Pipe connection: | 2 - Bolt Flange | | | | | | | | | | | | | | | | | | | | | | | | | | | | | | | | | | | | |
| Pressure stage: | 10 | | | | | | | | | | | | | | | | | | | | | | | | | | | | | | | | | | | | |
| Port-to-port length: | 8 1/2 in | | | | | | | | | | | | | | | | | | | | | | | | | | | | | | | | | | | | |



Company name: Hurley Engineering
Created by:
Phone:

Date: 3/23/2020

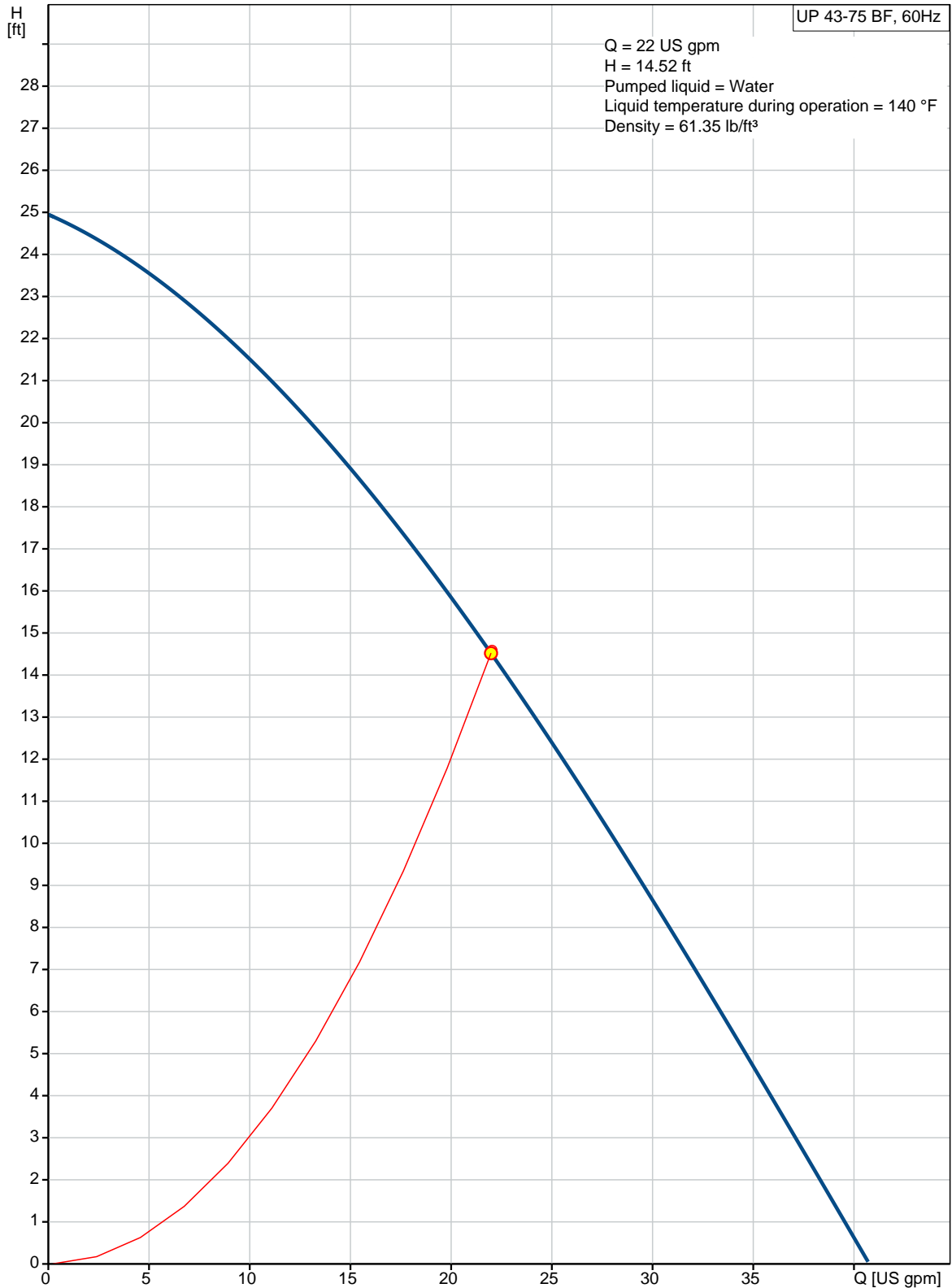
| Count | Description |
|-------|---|
| | Max. power input: 215 W Main frequency: 60 Hz Rated voltage: 1 x 115 V Current in speed 3: 2.15 A Capacitor size - run: 10 µF/180 V Number of poles: 2 Insulation class (IEC 85): F |
| | Others: Gross weight: 15 lb Country of origin: US Custom tariff no.: 8413.70.2005 |



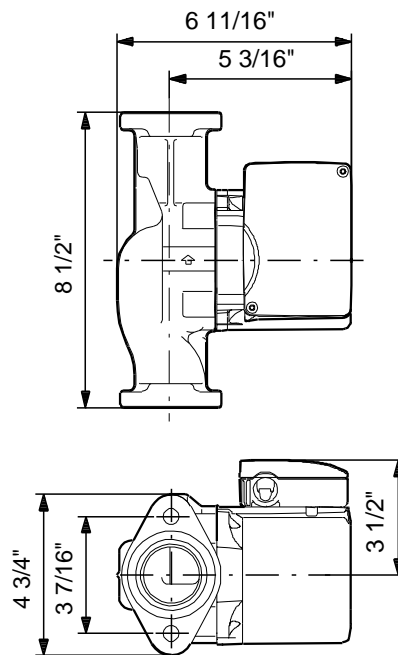
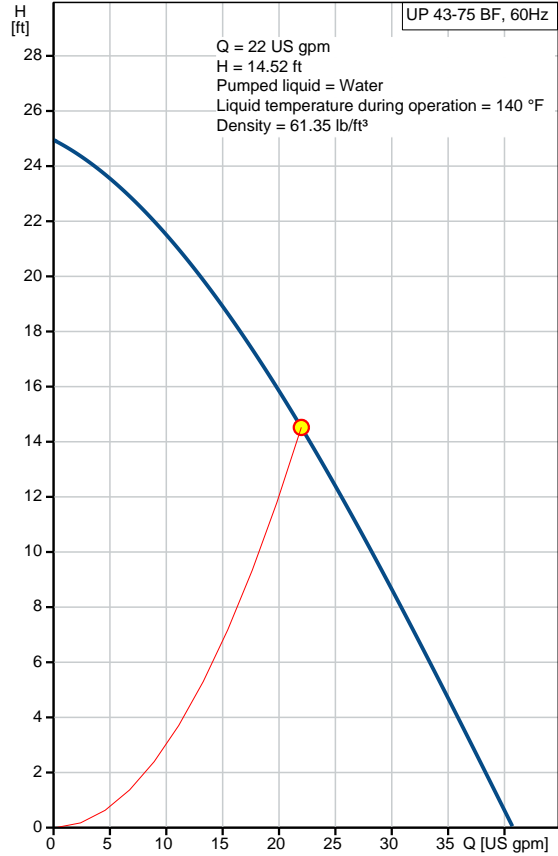
Company name: Hurley Engineering
Created by:
Phone:

Date: 3/23/2020

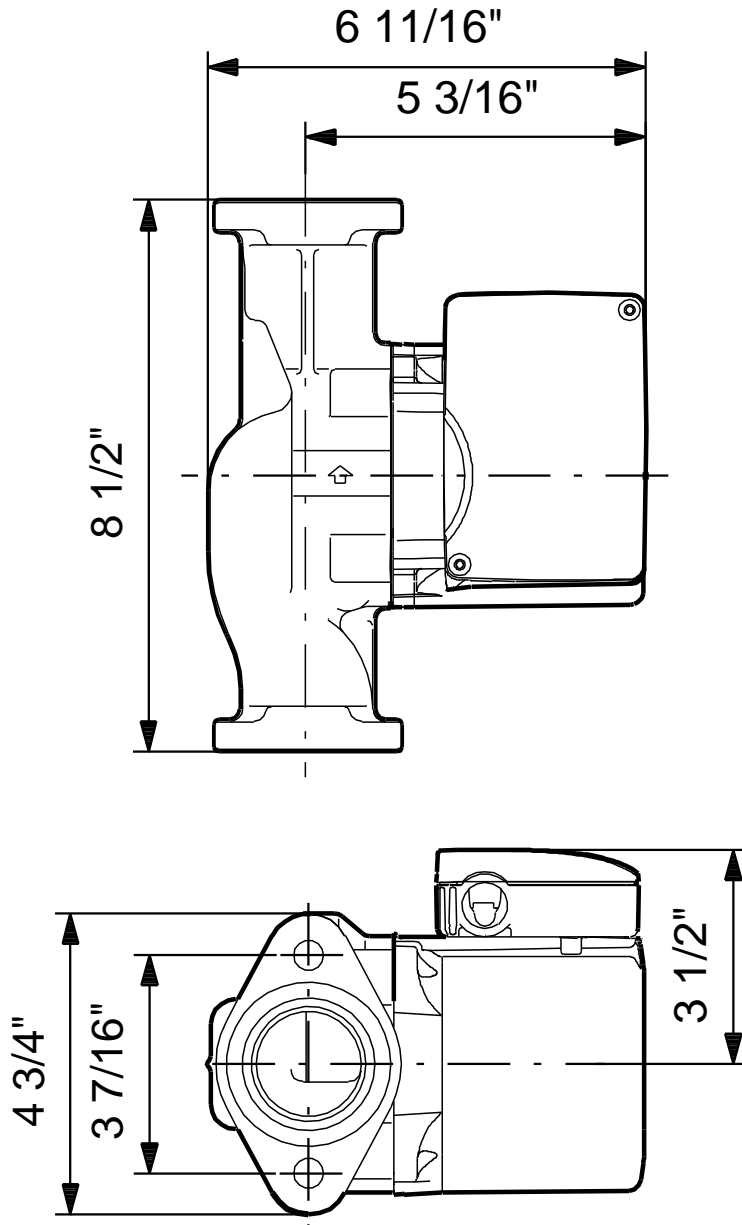
52722370 UP 43-75 BF 60 Hz



| Description | Value |
|------------------------------|--------------------------|
| General information: | |
| Product name: | UP 43-75 BF |
| Product No.: | 52722370 |
| EAN: | 5700391377389 |
| | 5700391377389 |
| Technical: | |
| Speed Number: | 1 |
| Actual calculated flow: | 22 US gpm |
| Max flow: | 40.9 US gpm |
| Resulting head of the pump: | 14.52 ft |
| Head max: | 24.94 ft |
| Approvals on nameplate: | UL, CSA |
| Materials: | |
| Pump housing: | Bronze |
| | DIN W.-Nr. 2.1176.01 |
| Impeller: | Composite, PES |
| Installation: | |
| Maximum ambient temperature: | 104 °F |
| Ambient max at 176°F liquid: | 176 °F |
| Maximum operating pressure: | 145.04 psi |
| Flange standard: | USA Oval |
| Type of connection: | Bronze Flange |
| Pipe connection: | 2 - Bolt Flange |
| Pressure stage: | 10 |
| Port-to-port length: | 8 1/2 in |
| Liquid: | |
| Pumped liquid: | Water |
| Liquid temperature range: | 32 .. 230 °F |
| Selected liquid temperature: | 140 °F |
| Density: | 61.35 lb/ft ³ |
| Electrical data: | |
| Max. power input: | 215 W |
| Main frequency: | 60 Hz |
| Rated voltage: | 1 x 115 V |
| Current in speed 3: | 2.15 A |
| Capacitor size - run: | 10 µF/180 V |
| Number of poles: | 2 |
| Insulation class (IEC 85): | F |
| Motor protection: | CONTACT |
| Thermal protec: | internal |
| Controls: | |
| Pos term box: | 9H |
| Others: | |
| Gross weight: | 15 lb |
| Country of origin: | US |
| Custom tariff no.: | 8413.70.2005 |



52722370 UP 43-75 BF 60 Hz



Note! All units are in [in] unless otherwise stated.
Disclaimer: This simplified dimensional drawing does not show all details.