

PROJECT:	Criculators	UNIT TAG:	_____	QUANTITY:	1
REPRESENTATIVE:	Hurley Engineering	TYPE OF SERVICE:	Recirculation	DATE:	_____
ENGINEER:	TBD	SUBMITTED BY:	Devin Carle	DATE:	_____
CONTRACTOR:	TBD	APPROVED BY:	_____	DATE:	_____
		ORDER NO.:	_____	DATE:	_____

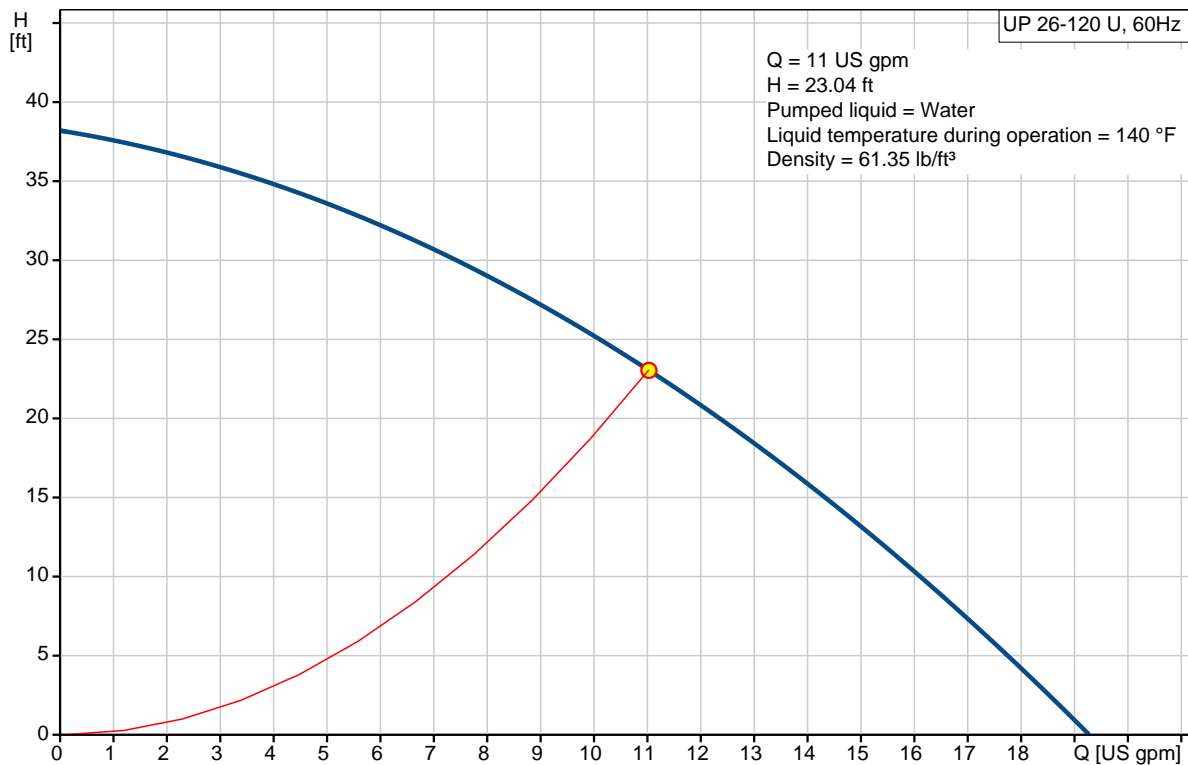


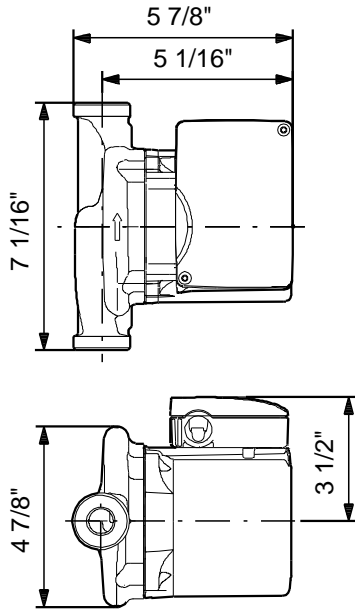
UP 26-120 U

Circulator pumps

Product photo could vary from the actual product

Conditions of Service		Pump Data		Motor Data	
Flow:	11 US gpm	Maximum operating pressure:	145.04 psi	Max. power input:	215 W
Head:	23.04 ft	Liquid temperature range:	32 .. 203 °F	Rated voltage:	115 V
Efficiency:	_____	Maximum ambient temperature:	104 °F	Main frequency:	60 Hz
Liquid:	Water	Approvals:	UL, CSA	Insulation class:	F
Temperature:	140 °F	Type of connection:	S.S. Union	Motor protection:	CONTACT
NPSH required:	ft	Flange standard:	USA Threaded	Thermal protection:	internal
Viscosity:	_____	Pipe connection:	1 1/4" NPSM		
Specific Gravity:	0.985	Product number:	52722435		





Materials:

Pump housing: Cast iron
EN-JL1030
ASTM 30 B
Impeller: Composite, PES

Count	Description																																		
1	<p data-bbox="290 405 446 439">UP 26-120 U</p> <div data-bbox="327 488 657 743" data-label="Image"> </div> <p data-bbox="694 757 1149 784" style="text-align: center;">Product photo could vary from the actual product</p> <p data-bbox="290 788 566 815">Product No.: 52722435</p> <p data-bbox="290 819 821 904">The pump is of the canned rotor type, i.e. pump and motor form an integral unit without shaft seal and with only two gaskets for sealing.</p> <p data-bbox="290 909 845 936">The bearings are lubricated by the pumped liquid.</p> <p data-bbox="290 940 630 967">The pump is characterized by:</p> <ul data-bbox="335 972 885 1115" style="list-style-type: none"> * Ceramic shaft and radial bearings. * Carbon axial bearing. * Stainless steel rotor can and bearing plate. * Corrosion-resistant impeller, Composite, PES. * Cast iron pump housing. <p data-bbox="290 1146 758 1205">The motor is a 1-phase motor. No additional motor protection is required.</p> <p data-bbox="290 1236 391 1263">Liquid:</p> <table data-bbox="290 1267 798 1384"> <tr> <td>Pumped liquid:</td> <td>Water</td> </tr> <tr> <td>Liquid temperature range:</td> <td>32 .. 203 °F</td> </tr> <tr> <td>Selected liquid temperature:</td> <td>140 °F</td> </tr> <tr> <td>Density:</td> <td>61.35 lb/ft³</td> </tr> </table> <p data-bbox="290 1415 422 1442">Technical:</p> <table data-bbox="290 1447 790 1532"> <tr> <td>Actual calculated flow:</td> <td>11 US gpm</td> </tr> <tr> <td>Resulting head of the pump:</td> <td>23.04 ft</td> </tr> <tr> <td>Approvals on nameplate:</td> <td>UL, CSA</td> </tr> </table> <p data-bbox="290 1563 414 1590">Materials:</p> <table data-bbox="290 1594 845 1711"> <tr> <td>Pump housing:</td> <td>Cast iron EN-JL1030 ASTM 30 B</td> </tr> <tr> <td>Impeller:</td> <td>Composite, PES</td> </tr> </table> <p data-bbox="290 1742 438 1769">Installation:</p> <table data-bbox="290 1774 829 2011"> <tr> <td>Maximum ambient temperature:</td> <td>104 °F</td> </tr> <tr> <td>Ambient max at 176°F liquid:</td> <td>176 °F</td> </tr> <tr> <td>Maximum operating pressure:</td> <td>145.04 psi</td> </tr> <tr> <td>Flange standard:</td> <td>USA Threaded</td> </tr> <tr> <td>Type of connection:</td> <td>S.S. Union</td> </tr> <tr> <td>Pipe connection:</td> <td>1 1/4" NPSM</td> </tr> <tr> <td>Pressure stage:</td> <td>10</td> </tr> <tr> <td>Port-to-port length:</td> <td>7.05 in</td> </tr> </table>	Pumped liquid:	Water	Liquid temperature range:	32 .. 203 °F	Selected liquid temperature:	140 °F	Density:	61.35 lb/ft³	Actual calculated flow:	11 US gpm	Resulting head of the pump:	23.04 ft	Approvals on nameplate:	UL, CSA	Pump housing:	Cast iron EN-JL1030 ASTM 30 B	Impeller:	Composite, PES	Maximum ambient temperature:	104 °F	Ambient max at 176°F liquid:	176 °F	Maximum operating pressure:	145.04 psi	Flange standard:	USA Threaded	Type of connection:	S.S. Union	Pipe connection:	1 1/4" NPSM	Pressure stage:	10	Port-to-port length:	7.05 in
Pumped liquid:	Water																																		
Liquid temperature range:	32 .. 203 °F																																		
Selected liquid temperature:	140 °F																																		
Density:	61.35 lb/ft³																																		
Actual calculated flow:	11 US gpm																																		
Resulting head of the pump:	23.04 ft																																		
Approvals on nameplate:	UL, CSA																																		
Pump housing:	Cast iron EN-JL1030 ASTM 30 B																																		
Impeller:	Composite, PES																																		
Maximum ambient temperature:	104 °F																																		
Ambient max at 176°F liquid:	176 °F																																		
Maximum operating pressure:	145.04 psi																																		
Flange standard:	USA Threaded																																		
Type of connection:	S.S. Union																																		
Pipe connection:	1 1/4" NPSM																																		
Pressure stage:	10																																		
Port-to-port length:	7.05 in																																		



Company name: Hurley Engineering
Created by:
Phone:

Date: 3/23/2020

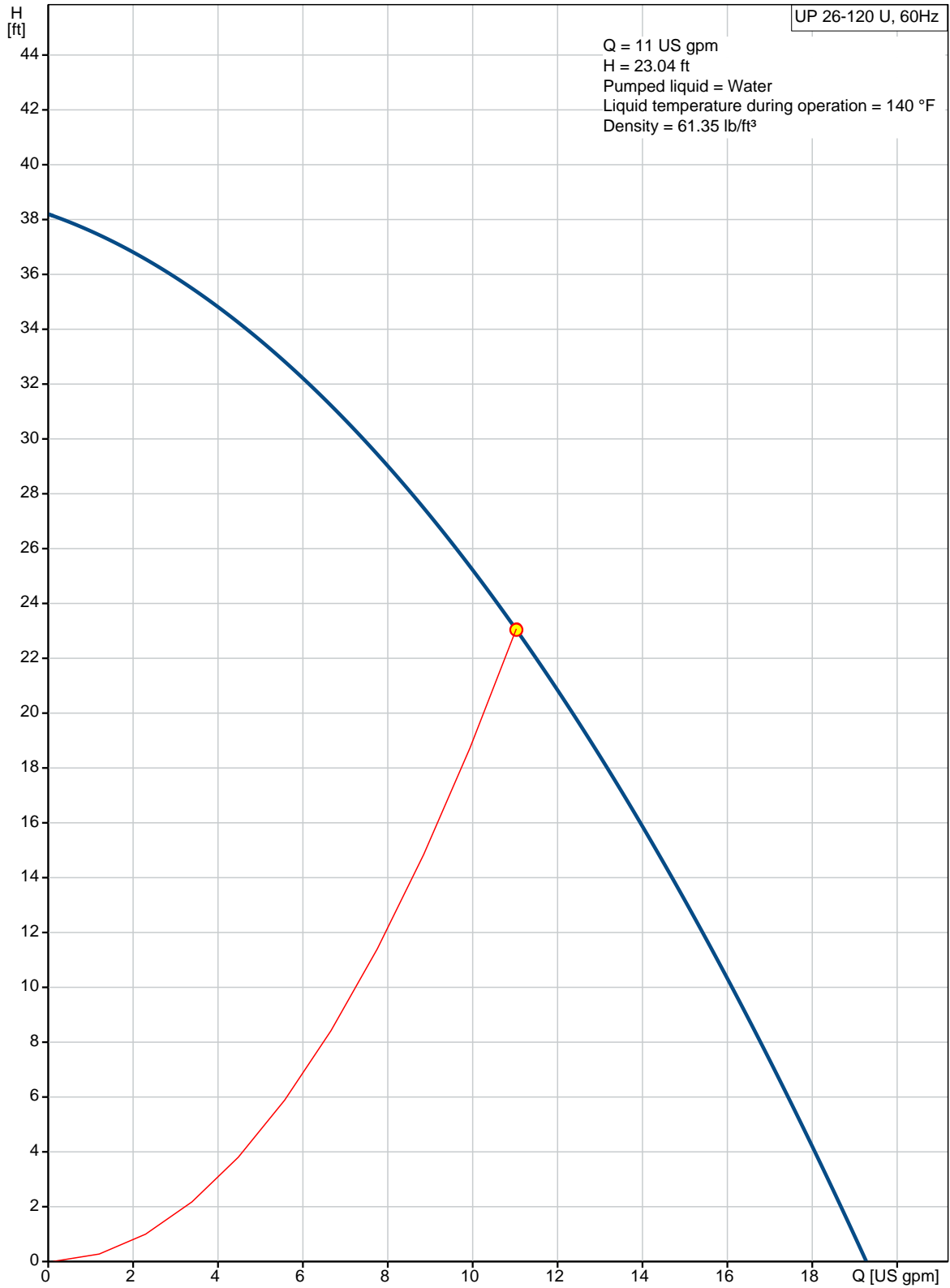
Count	Description
	Electrical data: Max. power input: 215 W Main frequency: 60 Hz Rated voltage: 1 x 115 V Current in speed 3: 2.15 A Capacitor size - run: 10 µF/180 V Number of poles: 2 Insulation class (IEC 85): F
	Others: Gross weight: 10.5 lb Country of origin: US Custom tariff no.: 8413.70.2005



Company name: Hurley Engineering
Created by:
Phone:

Date: 3/23/2020

52722435 UP 26-120 U 60 Hz

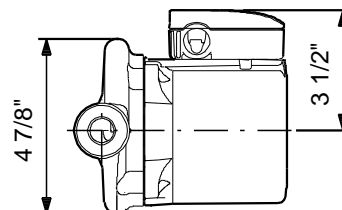
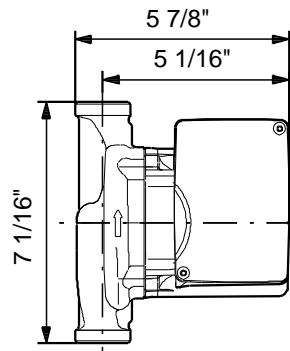




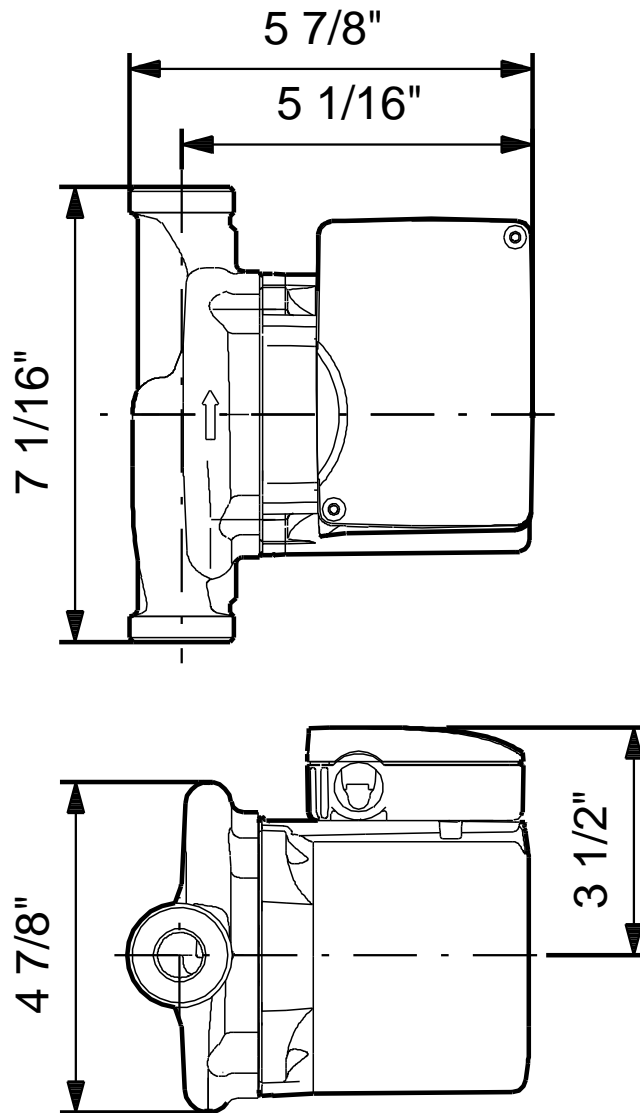
Company name: Hurley Engineering
 Created by:
 Phone:

Date: 3/23/2020

Description	Value
General information:	
Product name:	UP 26-120 U
Product No.:	52722435
EAN:	5700394763424
	5700394763424
Technical:	
Speed Number:	1
Actual calculated flow:	11 US gpm
Max flow:	18.9 US gpm
Resulting head of the pump:	23.04 ft
Head max:	38.06 ft
Approvals on nameplate:	UL, CSA
Materials:	
Pump housing:	Cast iron
	EN-JL1030
	ASTM 30 B
Impeller:	Composite, PES
Installation:	
Maximum ambient temperature:	104 °F
Ambient max at 176°F liquid:	176 °F
Maximum operating pressure:	145.04 psi
Flange standard:	USA Threaded
Type of connection:	S.S. Union
Pipe connection:	1 1/4" NPSM
Pressure stage:	10
Port-to-port length:	7.05 in
Liquid:	
Pumped liquid:	Water
Liquid temperature range:	32 .. 203 °F
Selected liquid temperature:	140 °F
Density:	61.35 lb/ft ³
Electrical data:	
Max. power input:	215 W
Main frequency:	60 Hz
Rated voltage:	1 x 115 V
Current in speed 3:	2.15 A
Capacitor size - run:	10 µF/180 V
Number of poles:	2
Insulation class (IEC 85):	F
Motor protection:	CONTACT
Thermal protec:	internal
Controls:	
Pos term box:	9H
Others:	
Gross weight:	10.5 lb
Country of origin:	US
Custom tariff no.:	8413.70.2005



52722435 UP 26-120 U 60 Hz



Note! All units are in [in] unless otherwise stated.
Disclaimer: This simplified dimensional drawing does not show all details.