

PROJECT:	Criculators	UNIT TAG:	_____	QUANTITY:	1
REPRESENTATIVE:	Hurley Engineering	TYPE OF SERVICE:	Recirculation	DATE:	_____
ENGINEER:	TBD	SUBMITTED BY:	Devin Carle	DATE:	_____
CONTRACTOR:	TBD	APPROVED BY:	_____	DATE:	_____
		ORDER NO.:	_____	DATE:	_____

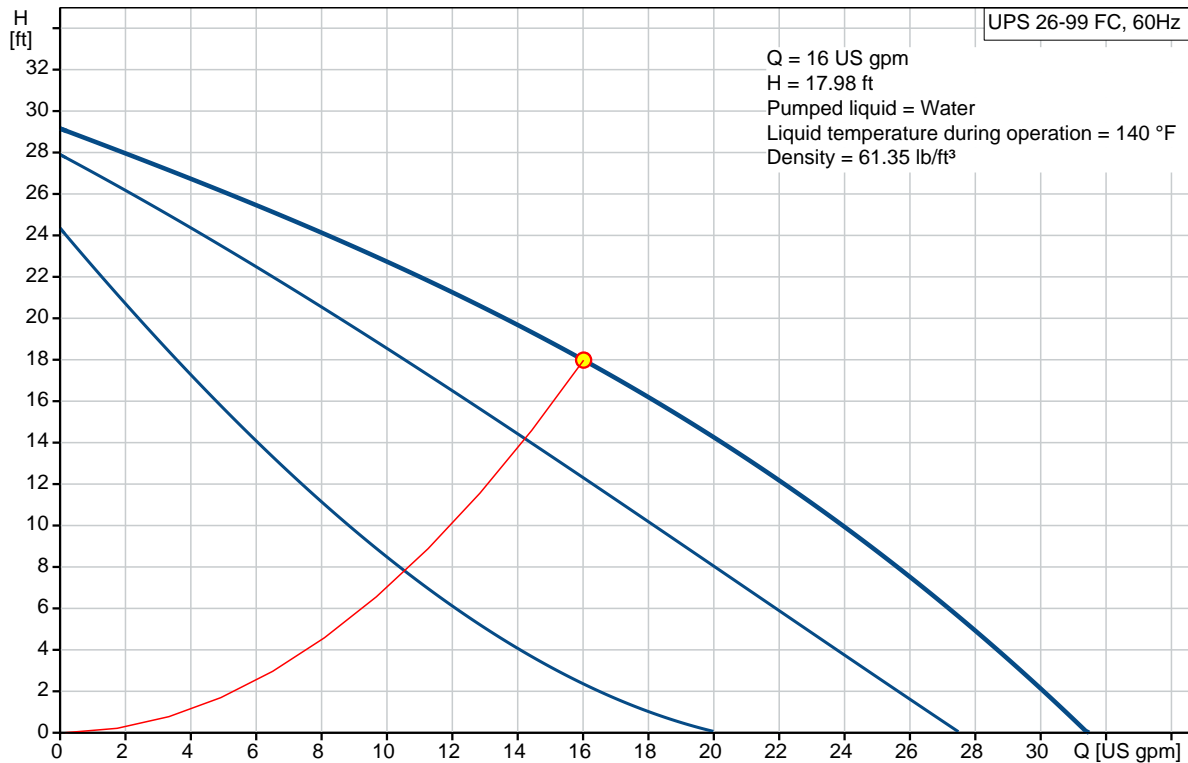


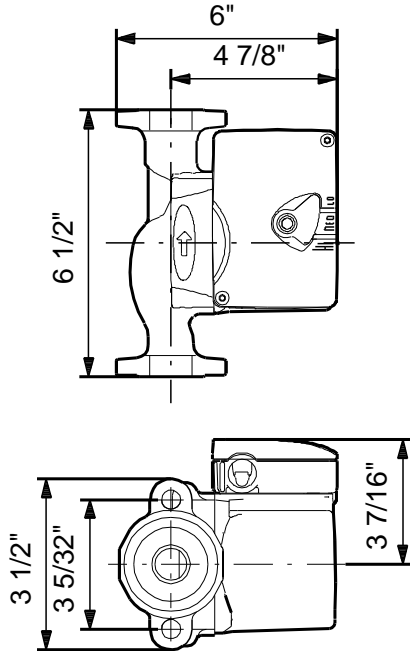
### UPS 26-99 FC

Circulator pumps

Product photo could vary from the actual product

Conditions of Service		Pump Data		Motor Data	
Flow:	16 US gpm	Maximum operating pressure:	145.04 psi	Max. power input:	197 W
Head:	17.98 ft	Liquid temperature range:	35.6 .. 230 °F	Rated voltage:	115 V
Efficiency:	_____	Maximum ambient temperature:	104 °F	Main frequency:	60 Hz
Liquid:	Water	Approvals:	UL, CSA	Insulation class:	F
Temperature:	140 °F	Type of connection:	C.I. Flange	Motor protection:	CONTACT
NPSH required:	ft	Flange standard:	USA Oval	Thermal protection:	internal
Viscosity:	_____	Pipe connection:	2 - Bolt Flange		
Specific Gravity:	0.985	Product number:	52722512		





**Materials:**

Pump housing: Cast iron  
EN-JL1030  
ASTM 30 B  
Impeller: Composite, PES

Count	Description																																		
1	<p data-bbox="288 405 464 439"><b>UPS 26-99 FC</b></p> <div data-bbox="325 488 655 741" data-label="Image"> </div> <p data-bbox="692 757 1150 779" style="text-align: center;">Product photo could vary from the actual product</p> <p data-bbox="288 786 568 808">Product No.: <a href="#">52722512</a></p> <p data-bbox="288 815 823 904">The pump is of the canned rotor type, i.e. pump and motor form an integral unit without shaft seal and with only two gaskets for sealing.</p> <p data-bbox="288 904 847 938">The bearings are lubricated by the pumped liquid.</p> <p data-bbox="288 938 636 965">The pump is characterized by:</p> <ul data-bbox="336 965 884 1115" style="list-style-type: none"> <li>* Ceramic shaft and radial bearings.</li> <li>* Carbon axial bearing.</li> <li>* Stainless steel rotor can and bearing plate.</li> <li>* Corrosion-resistant impeller, Composite, PES.</li> <li>* Cast iron pump housing.</li> </ul> <p data-bbox="288 1144 762 1200">The motor is a 1-phase motor.                      No additional motor protection is required.</p> <p data-bbox="288 1234 384 1256"><b>Liquid:</b></p> <table data-bbox="288 1263 815 1379"> <tr> <td>Pumped liquid:</td> <td>Water</td> </tr> <tr> <td>Liquid temperature range:</td> <td>35.6 .. 230 °F</td> </tr> <tr> <td>Selected liquid temperature:</td> <td>140 °F</td> </tr> <tr> <td>Density:</td> <td>61.35 lb/ft³</td> </tr> </table> <p data-bbox="288 1413 424 1435"><b>Technical:</b></p> <table data-bbox="288 1442 791 1532"> <tr> <td>Actual calculated flow:</td> <td>16 US gpm</td> </tr> <tr> <td>Resulting head of the pump:</td> <td>17.98 ft</td> </tr> <tr> <td>Approvals on nameplate:</td> <td>UL, CSA</td> </tr> </table> <p data-bbox="288 1559 416 1581"><b>Materials:</b></p> <table data-bbox="288 1588 847 1704"> <tr> <td>Pump housing:</td> <td>Cast iron EN-JL1030 ASTM 30 B</td> </tr> <tr> <td>Impeller:</td> <td>Composite, PES</td> </tr> </table> <p data-bbox="288 1738 440 1760"><b>Installation:</b></p> <table data-bbox="288 1767 828 2002"> <tr> <td>Maximum ambient temperature:</td> <td>104 °F</td> </tr> <tr> <td>Ambient max at 176°F liquid:</td> <td>176 °F</td> </tr> <tr> <td>Maximum operating pressure:</td> <td>145.04 psi</td> </tr> <tr> <td>Flange standard:</td> <td>USA Oval</td> </tr> <tr> <td>Type of connection:</td> <td>C.I. Flange</td> </tr> <tr> <td>Pipe connection:</td> <td>2 - Bolt Flange</td> </tr> <tr> <td>Pressure stage:</td> <td>10</td> </tr> <tr> <td>Port-to-port length:</td> <td>6 1/2 in</td> </tr> </table>	Pumped liquid:	Water	Liquid temperature range:	35.6 .. 230 °F	Selected liquid temperature:	140 °F	Density:	61.35 lb/ft³	Actual calculated flow:	16 US gpm	Resulting head of the pump:	17.98 ft	Approvals on nameplate:	UL, CSA	Pump housing:	Cast iron EN-JL1030 ASTM 30 B	Impeller:	Composite, PES	Maximum ambient temperature:	104 °F	Ambient max at 176°F liquid:	176 °F	Maximum operating pressure:	145.04 psi	Flange standard:	USA Oval	Type of connection:	C.I. Flange	Pipe connection:	2 - Bolt Flange	Pressure stage:	10	Port-to-port length:	6 1/2 in
Pumped liquid:	Water																																		
Liquid temperature range:	35.6 .. 230 °F																																		
Selected liquid temperature:	140 °F																																		
Density:	61.35 lb/ft³																																		
Actual calculated flow:	16 US gpm																																		
Resulting head of the pump:	17.98 ft																																		
Approvals on nameplate:	UL, CSA																																		
Pump housing:	Cast iron EN-JL1030 ASTM 30 B																																		
Impeller:	Composite, PES																																		
Maximum ambient temperature:	104 °F																																		
Ambient max at 176°F liquid:	176 °F																																		
Maximum operating pressure:	145.04 psi																																		
Flange standard:	USA Oval																																		
Type of connection:	C.I. Flange																																		
Pipe connection:	2 - Bolt Flange																																		
Pressure stage:	10																																		
Port-to-port length:	6 1/2 in																																		



Company name: Hurley Engineering  
Created by:  
Phone:

Date: 3/23/2020

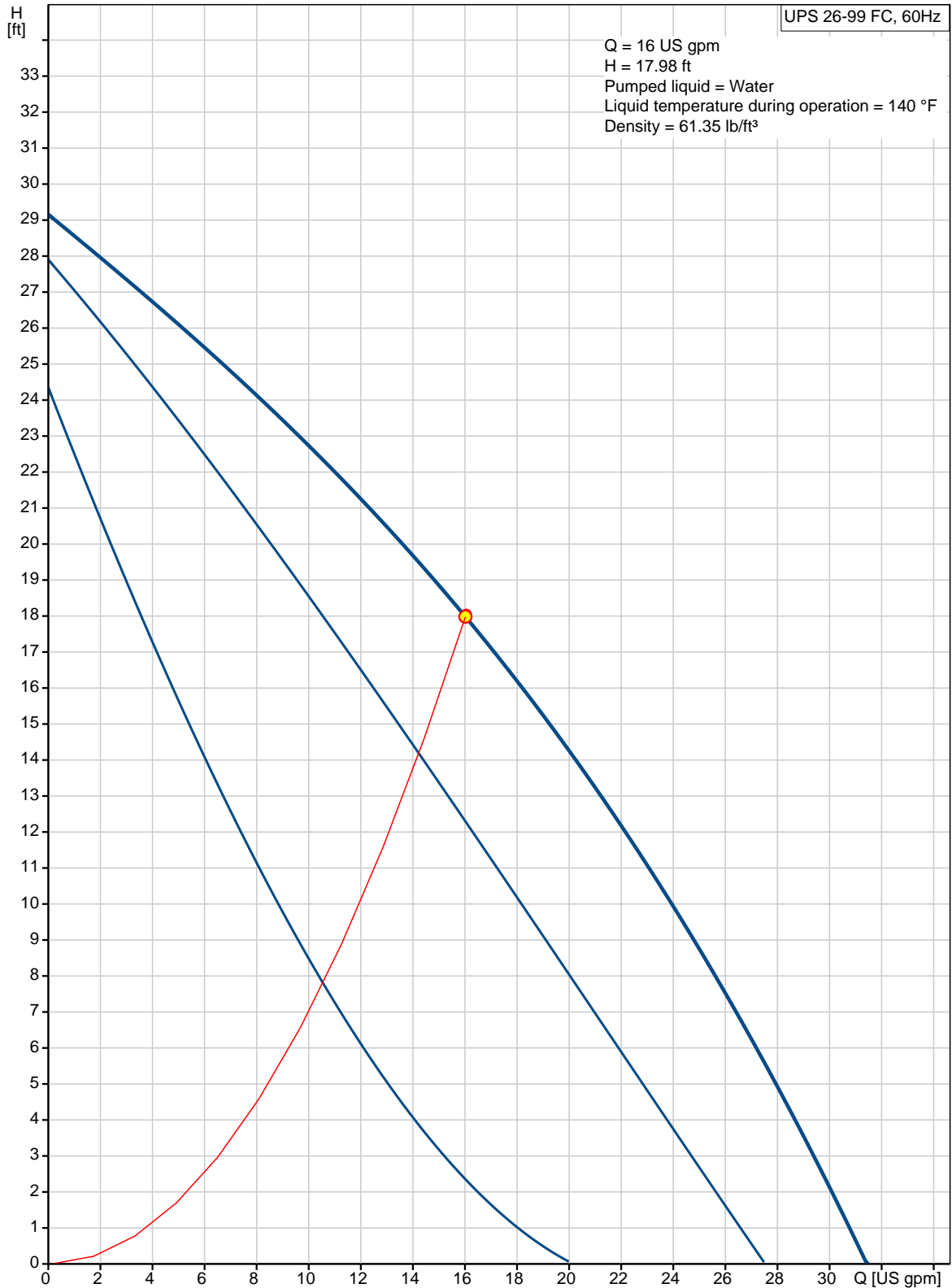
Count	Description
	<b>Electrical data:</b>
	Power input in speed 1: 0.2012 HP
	Power input in speed 2: 179 W
	Max. power input: 197 W
	Main frequency: 60 Hz
	Rated voltage: 1 x 115 V
	Current in speed 1: 1.3 A
	Current in speed 2: 1.5 A
	Current in speed 3: 1.8 A
	Capacitor size - run: 20 $\mu$ F/180 V
	Number of poles: 2
	Insulation class (IEC 85): F
	<b>Others:</b>
	Gross weight: 10.3 lb
	Country of origin: US
	Custom tariff no.: 8413.70.2005



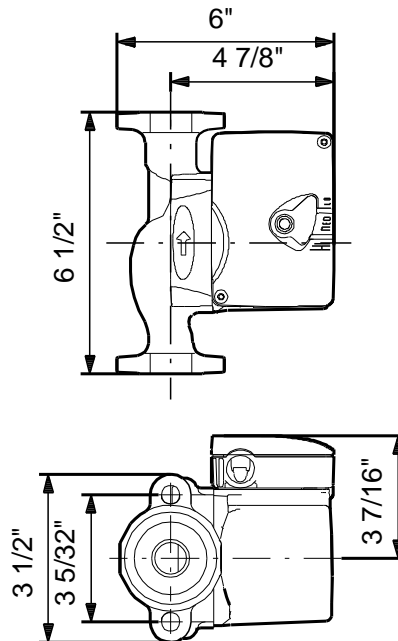
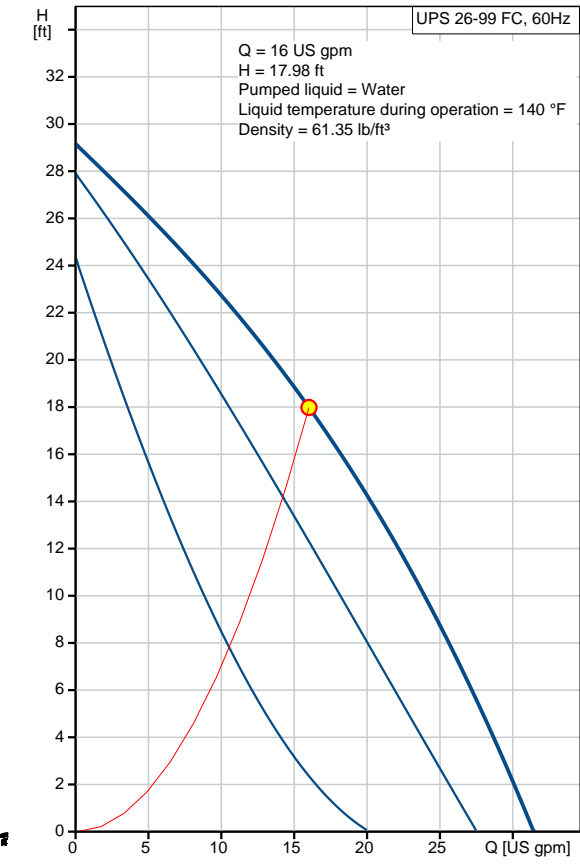
Company name: Hurley Engineering  
Created by:  
Phone:

Date: 3/23/2020

### 52722512 UPS 26-99 FC 60 Hz



Description	Value
<b>General information:</b>	
Product name:	UPS 26-99 FC
Product No.:	52722512
EAN:	5700834818707
	5700834818707
<b>Technical:</b>	
Speed Number:	3
Actual calculated flow:	16 US gpm
Max flow:	33 US gpm
Resulting head of the pump:	17.98 ft
Head max:	28.87 ft
Approvals on nameplate:	UL, CSA
Valve:	pump with built-in isolating and non-return valves
<b>Materials:</b>	
Pump housing:	Cast iron
	EN-JL1030
	ASTM 30 B
Impeller:	Composite, PES
<b>Installation:</b>	
Maximum ambient temperature:	104 °F
Ambient max at 176°F liquid:	176 °F
Maximum operating pressure:	145.04 psi
Flange standard:	USA Oval
Type of connection:	C.I. Flange
Pipe connection:	2 - Bolt Flange
Pressure stage:	10
Port-to-port length:	6 1/2 in
<b>Liquid:</b>	
Pumped liquid:	Water
Liquid temperature range:	35.6 .. 230 °F
Selected liquid temperature:	140 °F
Density:	61.35 lb/ft³
<b>Electrical data:</b>	
Power input in speed 1:	0.2012 HP
Power input in speed 2:	179 W
Max. power input:	197 W
Main frequency:	60 Hz
Rated voltage:	1 x 115 V
Current in speed 1:	1.3 A
Current in speed 2:	1.5 A
Current in speed 3:	1.8 A
Capacitor size - run:	20 µF/180 V
Number of poles:	2
Insulation class (IEC 85):	F
Motor protection:	CONTACT
Thermal protec:	internal
<b>Controls:</b>	
Pos term box:	9H
<b>Others:</b>	
Gross weight:	10.3 lb



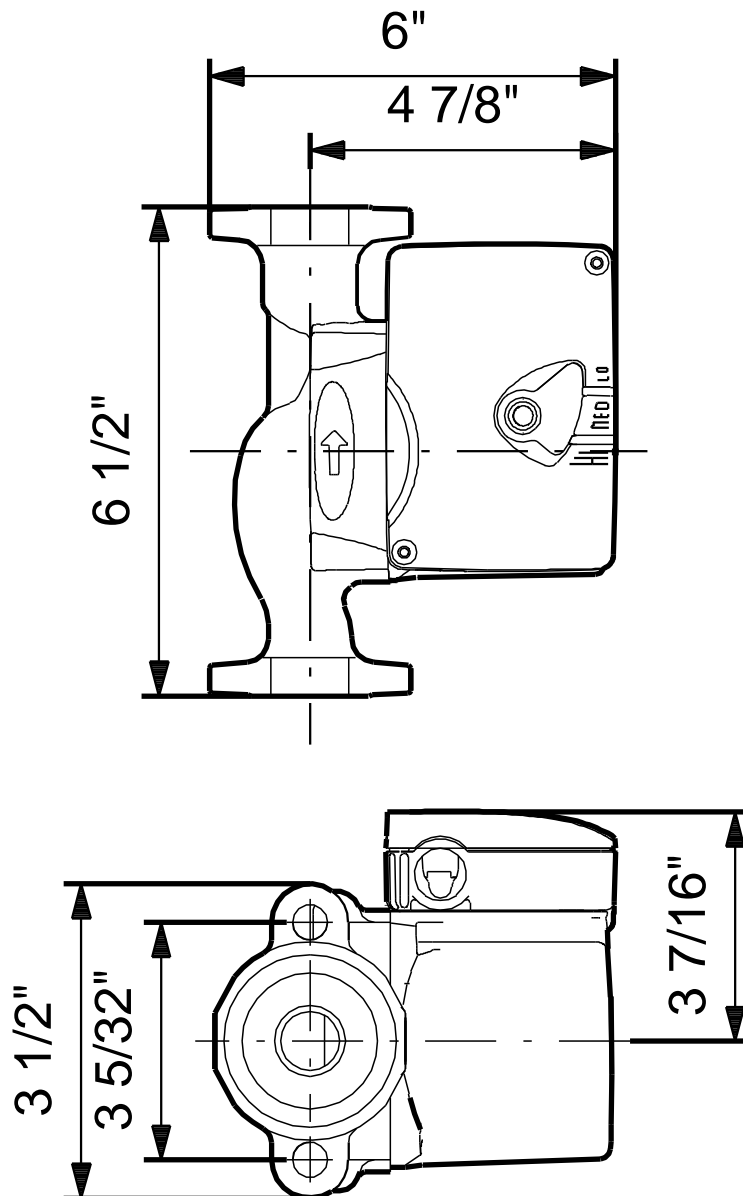


Company name: Hurley Engineering  
Created by:  
Phone:

Date: 3/23/2020

Description	Value
Country of origin:	US
Custom tariff no.:	8413.70.2005

**52722512 UPS 26-99 FC 60 Hz**



Note! All units are in [in] unless otherwise stated.  
Disclaimer: This simplified dimensional drawing does not show all details.