

PROJECT:	Criculators	UNIT TAG:	_____	QUANTITY:	1
REPRESENTATIVE:	Hurley Engineering	TYPE OF SERVICE:	Recirculation	DATE:	_____
ENGINEER:	TBD	SUBMITTED BY:	Devin Carle	DATE:	_____
CONTRACTOR:	TBD	APPROVED BY:	_____	DATE:	_____
		ORDER NO.:	_____	DATE:	_____

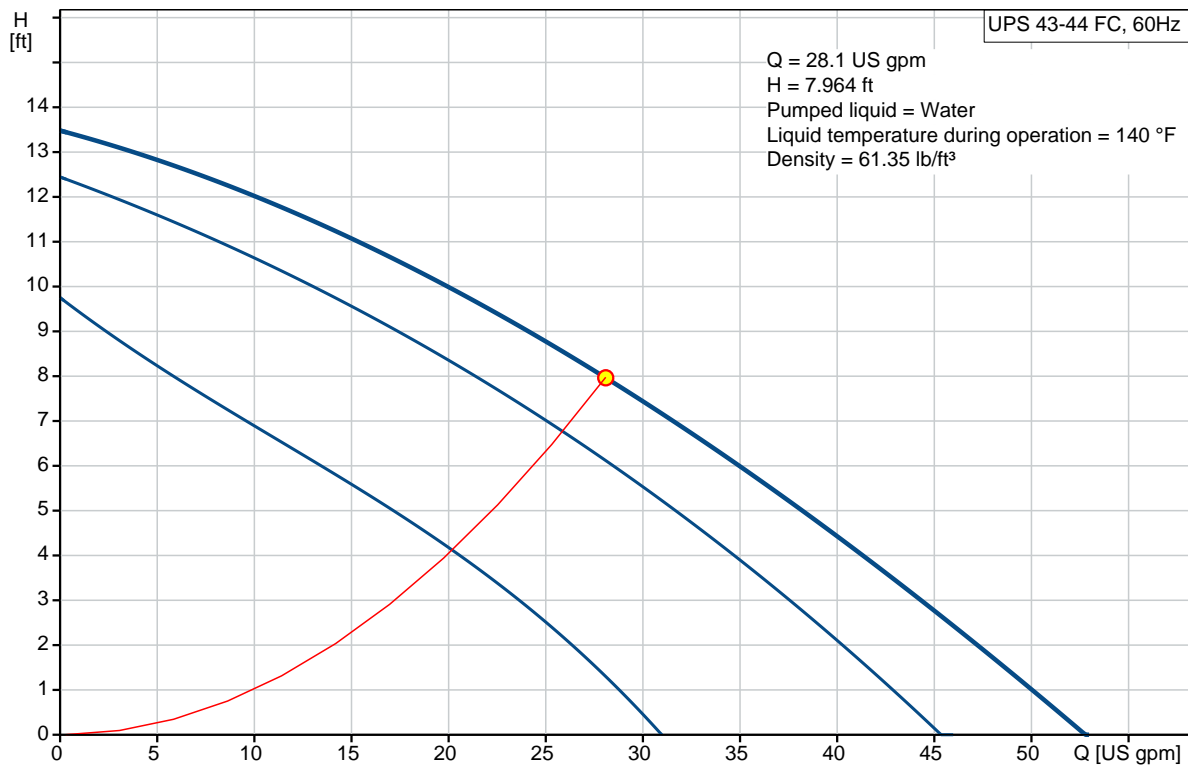


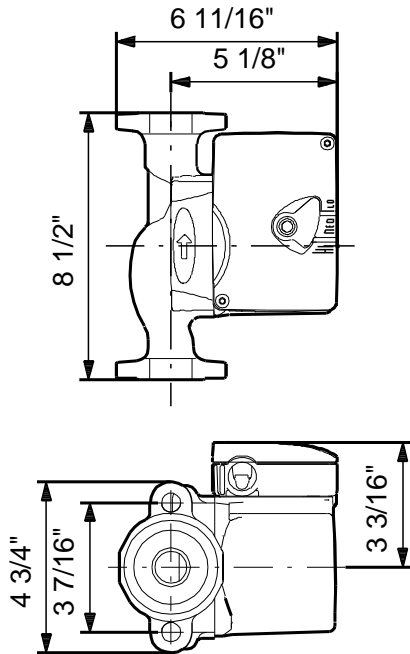
UPS 43-44 FC

Circulator pumps

Product photo could vary from the actual product


Conditions of Service		Pump Data		Motor Data	
Flow:	28.1 US gpm	Maximum operating pressure:	145.04 psi	Max. power input:	203 W
Head:	7.964 ft	Liquid temperature range:	35.6 .. 230 °F	Rated voltage:	230 V
Efficiency:	_____	Maximum ambient temperature:	104 °F	Main frequency:	60 Hz
Liquid:	Water	Approvals:	UL, CSA	Insulation class:	F
Temperature:	140 °F	Type of connection:	C.I. Flange	Motor protection:	CONTACT
NPSH required:	ft	Flange standard:	USA Oval	Thermal protection:	internal
Viscosity:	_____	Pipe connection:	2 - Bolt Flange		
Specific Gravity:	0.985	Product number:	52722515		





Materials:

Pump housing: Cast iron
EN-JL1030
ASTM 30 B
Impeller: Composite, PES

Count	Description
1	<p data-bbox="290 405 466 439">UPS 43-44 FC</p> <div data-bbox="327 488 657 743">  </div> <p data-bbox="694 757 1152 784" style="text-align: center;">Product photo could vary from the actual product</p> <p data-bbox="290 788 571 815">Product No.: 52722515</p> <p data-bbox="290 819 826 904">The pump is of the canned rotor type, i.e. pump and motor form an integral unit without shaft seal and with only two gaskets for sealing.</p> <p data-bbox="290 909 849 936">The bearings are lubricated by the pumped liquid.</p> <p data-bbox="290 940 638 967">The pump is characterized by:</p> <ul data-bbox="338 972 887 1115" style="list-style-type: none"> * Ceramic shaft and radial bearings. * Carbon axial bearing. * Stainless steel rotor can and bearing plate. * Corrosion-resistant impeller, Composite, PES. * Cast iron pump housing. <p data-bbox="290 1146 766 1205">The motor is a 1-phase motor. No additional motor protection is required.</p> <p data-bbox="290 1236 386 1263">Liquid:</p> <p data-bbox="290 1267 817 1384">Pumped liquid: Water Liquid temperature range: 35.6 .. 230 °F Selected liquid temperature: 140 °F Density: 61.35 lb/ft³</p> <p data-bbox="290 1415 427 1442">Technical:</p> <p data-bbox="290 1447 817 1532">Actual calculated flow: 28.1 US gpm Resulting head of the pump: 7.964 ft Approvals on nameplate: UL, CSA</p> <p data-bbox="290 1563 421 1590">Materials:</p> <p data-bbox="290 1594 849 1711">Pump housing: Cast iron EN-JL1030 ASTM 30 B Impeller: Composite, PES</p> <p data-bbox="290 1742 443 1769">Installation:</p> <p data-bbox="290 1774 829 2011">Maximum ambient temperature: 104 °F Ambient max at 176°F liquid: 176 °F Maximum operating pressure: 145.04 psi Flange standard: USA Oval Type of connection: C.I. Flange Pipe connection: 2 - Bolt Flange Pressure stage: 10 Port-to-port length: 8 1/2 in</p>



Company name: Hurley Engineering
Created by:
Phone:

Date: 3/23/2020

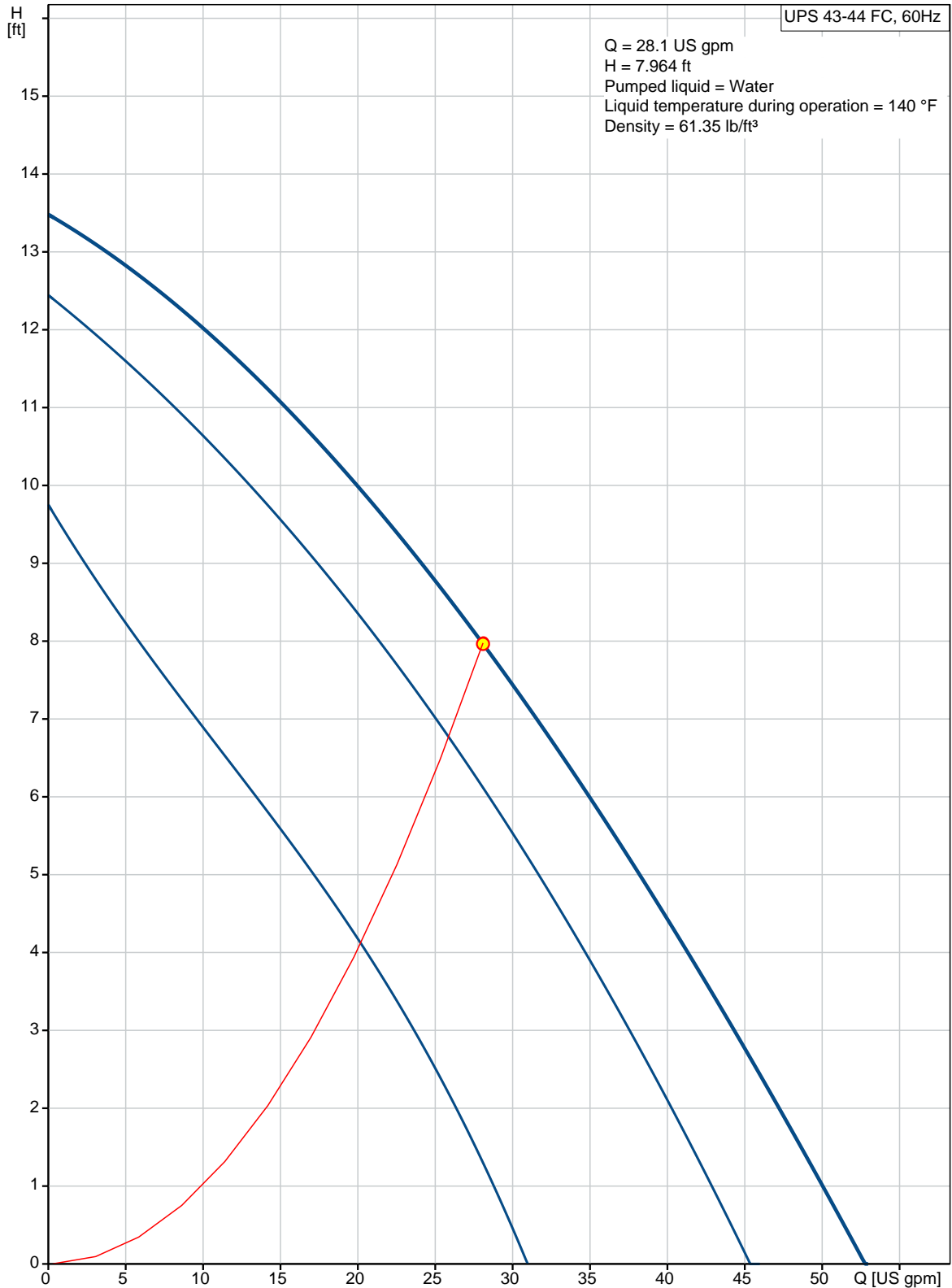
Count	Description
	Electrical data:
	Power input in speed 1: 0.2105 HP
	Power input in speed 2: 190 W
	Max. power input: 203 W
	Main frequency: 60 Hz
	Rated voltage: 1 x 230 V
	Current in speed 1: 0.7 A
	Current in speed 2: 0.8 A
	Current in speed 3: 0.9 A
	Capacitor size - run: 5 μ F/400 V
	Number of poles: 2
	Insulation class (IEC 85): F
	Others:
	Gross weight: 13.5 lb
	Country of origin: US
	Custom tariff no.: 8413.70.2005



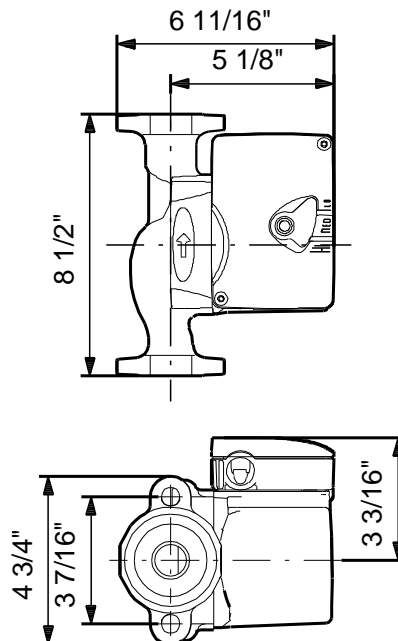
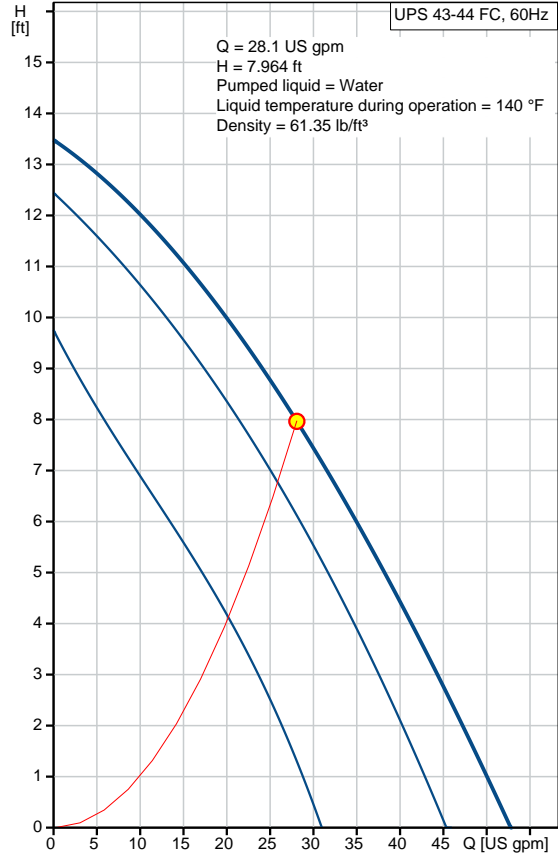
Company name: Hurley Engineering
Created by:
Phone:

Date: 3/23/2020

52722515 UPS 43-44 FC 60 Hz



Description	Value
General information:	
Product name:	UPS 43-44 FC
Product No.:	52722515
EAN:	5700834818738 5700834818738
Technical:	
Speed Number:	3
Actual calculated flow:	28.1 US gpm
Max flow:	63 US gpm
Resulting head of the pump:	7.964 ft
Head max:	14.11 ft
Approvals on nameplate:	UL, CSA
Valve:	pump with built-in isolating and non-return valves
Materials:	
Pump housing:	Cast iron EN-JL1030 ASTM 30 B
Impeller:	Composite, PES
Installation:	
Maximum ambient temperature:	104 °F
Ambient max at 176°F liquid:	176 °F
Maximum operating pressure:	145.04 psi
Flange standard:	USA Oval
Type of connection:	C.I. Flange
Pipe connection:	2 - Bolt Flange
Pressure stage:	10
Port-to-port length:	8 1/2 in
Liquid:	
Pumped liquid:	Water
Liquid temperature range:	35.6 .. 230 °F
Selected liquid temperature:	140 °F
Density:	61.35 lb/ft³
Electrical data:	
Power input in speed 1:	0.2105 HP
Power input in speed 2:	190 W
Max. power input:	203 W
Main frequency:	60 Hz
Rated voltage:	1 x 230 V
Current in speed 1:	0.7 A
Current in speed 2:	0.8 A
Current in speed 3:	0.9 A
Capacitor size - run:	5 µF/400 V
Number of poles:	2
Insulation class (IEC 85):	F
Motor protection:	CONTACT
Thermal protec:	internal
Controls:	
Pos term box:	9H
Others:	
Gross weight:	13.5 lb



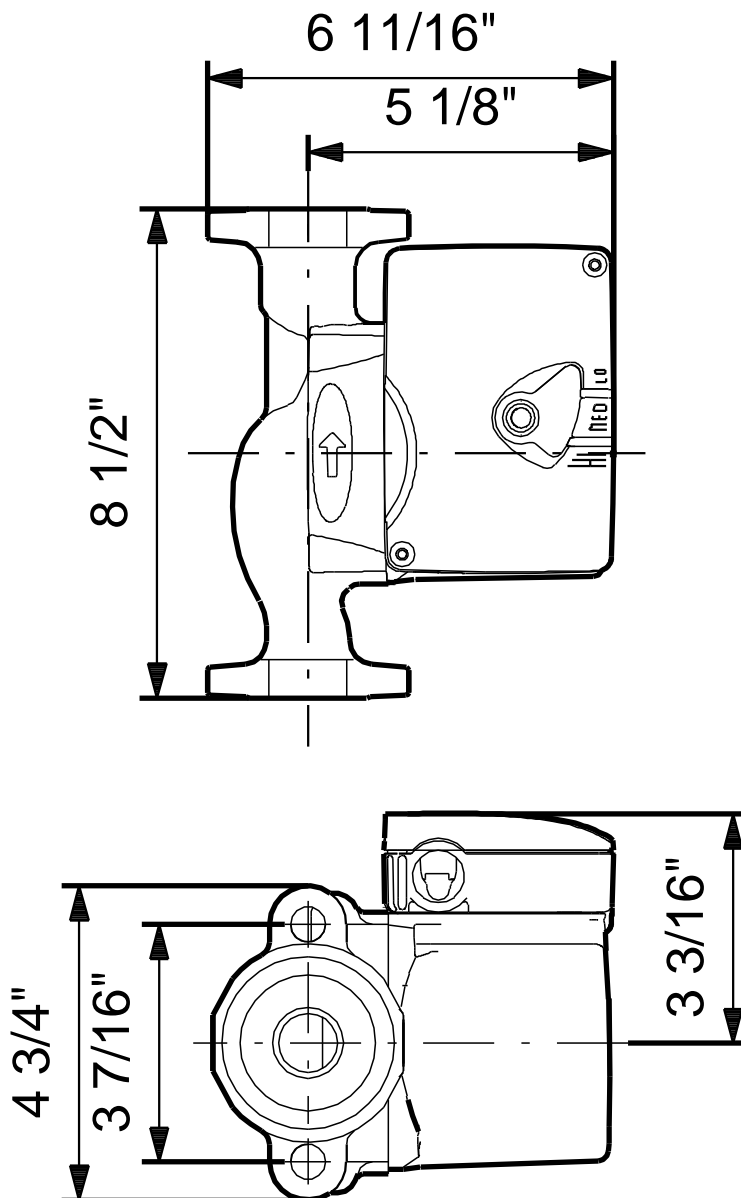


Company name: Hurley Engineering
Created by:
Phone:

Date: 3/23/2020

Description	Value
Country of origin:	US
Custom tariff no.:	8413.70.2005

52722515 UPS 43-44 FC 60 Hz



Note! All units are in [in] unless otherwise stated.
Disclaimer: This simplified dimensional drawing does not show all details.