

PROJECT:	Criculators	UNIT TAG:	_____	QUANTITY:	1
REPRESENTATIVE:	Hurley Engineering	TYPE OF SERVICE:	Recirculation	DATE:	_____
ENGINEER:	TBD	SUBMITTED BY:	Devin Carle	DATE:	_____
CONTRACTOR:	TBD	APPROVED BY:	_____	DATE:	_____
		ORDER NO.:	_____	DATE:	_____

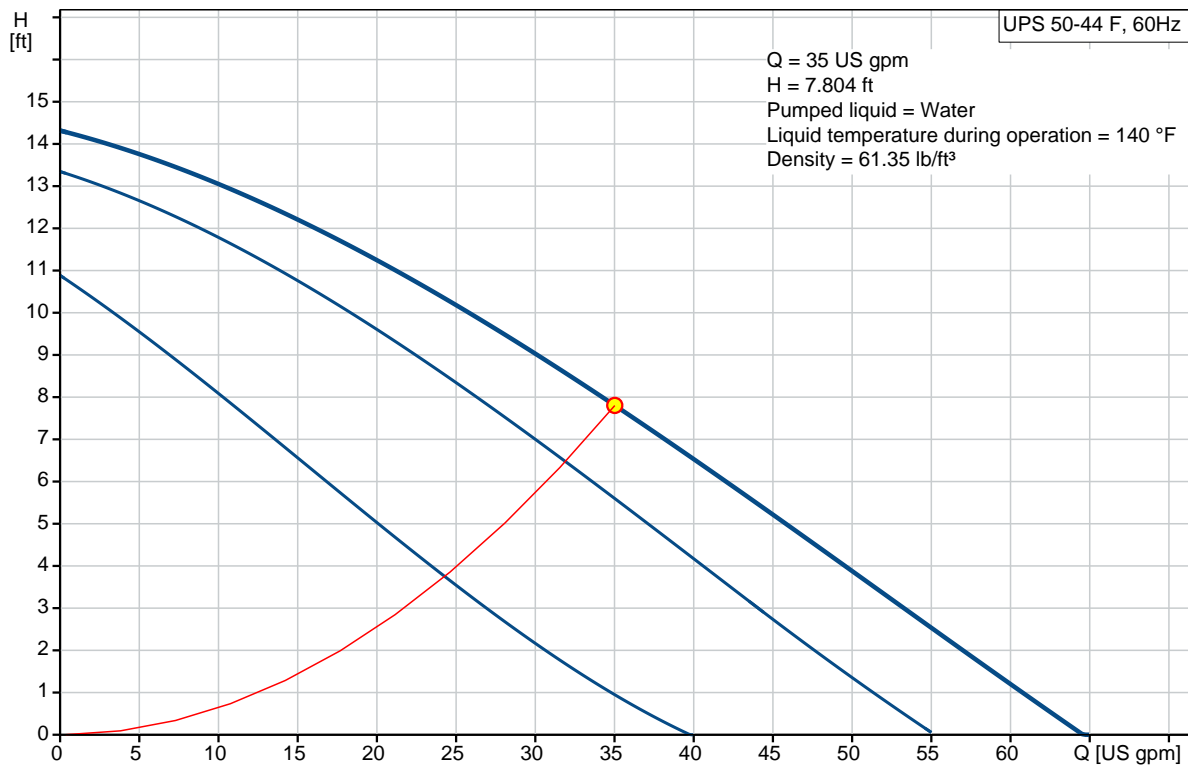


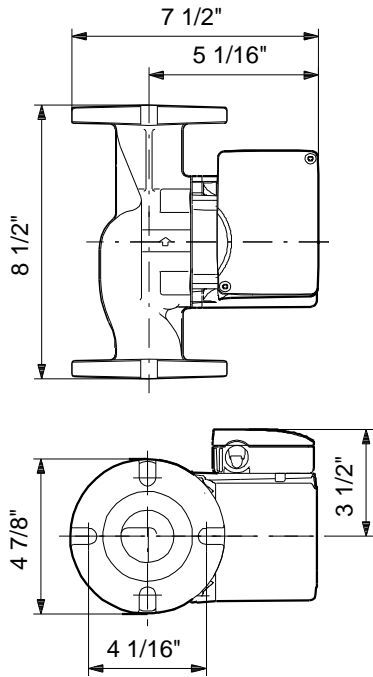
UPS 50-44 F

Circulator pumps

Product photo could vary from the actual product


Conditions of Service	Pump Data	Motor Data
Flow: 35 US gpm	Maximum operating pressure: 145.04 psi	Max. power input: 195 W
Head: 7.804 ft	Liquid temperature range: 32 .. 230 °F	Rated voltage: 230 V
Efficiency: _____	Maximum ambient temperature: 104 °F	Main frequency: 60 Hz
Liquid: Water	Approvals: UL, CSA	Insulation class: F
Temperature: 140 °F	Type of connection: C.I. Flange	Motor protection: CONTACT
NPSH required: ft	Flange standard: USA Round	Thermal protection: internal
Viscosity: _____	Pipe connection: 4 - Bolt Flange	
Specific Gravity: 0.985	Product number: 52722558	





Materials:

Pump housing: Cast iron
EN-JL1030
ASTM 30 B
Impeller: Composite, PES

Count	Description																																		
1	<p data-bbox="290 405 446 439">UPS 50-44 F</p> <div data-bbox="327 488 657 743" style="text-align: center;">  </div> <p data-bbox="694 757 1149 784" style="text-align: center;">Product photo could vary from the actual product</p> <p data-bbox="290 788 566 815">Product No.: 52722558</p> <p data-bbox="290 819 821 904">The pump is of the canned rotor type, i.e. pump and motor form an integral unit without shaft seal and with only two gaskets for sealing.</p> <p data-bbox="290 909 845 936">The bearings are lubricated by the pumped liquid.</p> <p data-bbox="290 940 630 967">The pump is characterized by:</p> <ul data-bbox="335 972 885 1115" style="list-style-type: none"> * Ceramic shaft and radial bearings. * Carbon axial bearing. * Stainless steel rotor can and bearing plate. * Corrosion-resistant impeller, Composite, PES. * Cast iron pump housing. <p data-bbox="290 1146 758 1205">The motor is a 1-phase motor. No additional motor protection is required.</p> <p data-bbox="290 1236 391 1263">Liquid:</p> <table data-bbox="290 1267 798 1384"> <tr><td>Pumped liquid:</td><td>Water</td></tr> <tr><td>Liquid temperature range:</td><td>32 .. 230 °F</td></tr> <tr><td>Selected liquid temperature:</td><td>140 °F</td></tr> <tr><td>Density:</td><td>61.35 lb/ft³</td></tr> </table> <p data-bbox="290 1415 422 1442">Technical:</p> <table data-bbox="290 1447 798 1532"> <tr><td>Actual calculated flow:</td><td>35 US gpm</td></tr> <tr><td>Resulting head of the pump:</td><td>7.804 ft</td></tr> <tr><td>Approvals on nameplate:</td><td>UL, CSA</td></tr> </table> <p data-bbox="290 1563 422 1590">Materials:</p> <table data-bbox="290 1594 853 1711"> <tr><td>Pump housing:</td><td>Cast iron EN-JL1030 ASTM 30 B</td></tr> <tr><td>Impeller:</td><td>Composite, PES</td></tr> </table> <p data-bbox="290 1742 438 1769">Installation:</p> <table data-bbox="290 1774 829 2011"> <tr><td>Maximum ambient temperature:</td><td>104 °F</td></tr> <tr><td>Ambient max at 176°F liquid:</td><td>176 °F</td></tr> <tr><td>Maximum operating pressure:</td><td>145.04 psi</td></tr> <tr><td>Flange standard:</td><td>USA Round</td></tr> <tr><td>Type of connection:</td><td>C.I. Flange</td></tr> <tr><td>Pipe connection:</td><td>4 - Bolt Flange</td></tr> <tr><td>Pressure stage:</td><td>10</td></tr> <tr><td>Port-to-port length:</td><td>8 9/16 in</td></tr> </table>	Pumped liquid:	Water	Liquid temperature range:	32 .. 230 °F	Selected liquid temperature:	140 °F	Density:	61.35 lb/ft³	Actual calculated flow:	35 US gpm	Resulting head of the pump:	7.804 ft	Approvals on nameplate:	UL, CSA	Pump housing:	Cast iron EN-JL1030 ASTM 30 B	Impeller:	Composite, PES	Maximum ambient temperature:	104 °F	Ambient max at 176°F liquid:	176 °F	Maximum operating pressure:	145.04 psi	Flange standard:	USA Round	Type of connection:	C.I. Flange	Pipe connection:	4 - Bolt Flange	Pressure stage:	10	Port-to-port length:	8 9/16 in
Pumped liquid:	Water																																		
Liquid temperature range:	32 .. 230 °F																																		
Selected liquid temperature:	140 °F																																		
Density:	61.35 lb/ft³																																		
Actual calculated flow:	35 US gpm																																		
Resulting head of the pump:	7.804 ft																																		
Approvals on nameplate:	UL, CSA																																		
Pump housing:	Cast iron EN-JL1030 ASTM 30 B																																		
Impeller:	Composite, PES																																		
Maximum ambient temperature:	104 °F																																		
Ambient max at 176°F liquid:	176 °F																																		
Maximum operating pressure:	145.04 psi																																		
Flange standard:	USA Round																																		
Type of connection:	C.I. Flange																																		
Pipe connection:	4 - Bolt Flange																																		
Pressure stage:	10																																		
Port-to-port length:	8 9/16 in																																		



Company name: Hurley Engineering
Created by:
Phone:

Date: 3/23/2020

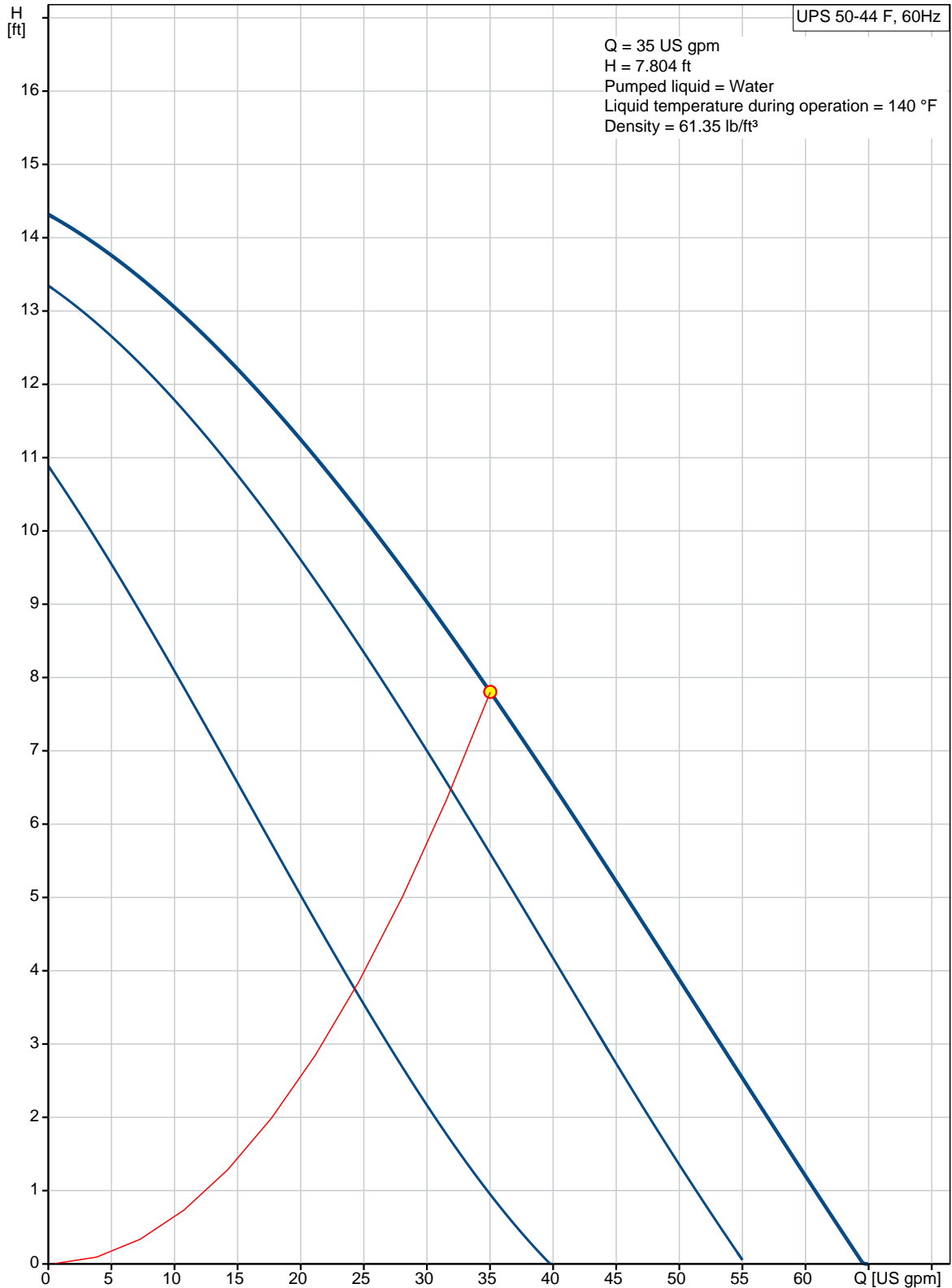
Count	Description
	Electrical data:
	Power input in speed 1: 0.1971 HP
	Power input in speed 2: 182 W
	Max. power input: 195 W
	Main frequency: 60 Hz
	Rated voltage: 1 x 230 V
	Current in speed 1: 0.74 A
	Current in speed 2: 0.81 A
	Current in speed 3: 0.9 A
	Capacitor size - run: 5 μ F
	Number of poles: 2
	Insulation class (IEC 85): F
	Others:
	Gross weight: 15.5 lb
	Country of origin: US
	Custom tariff no.: 8413.70.2005



Company name: Hurley Engineering
Created by:
Phone:

Date: 3/23/2020

52722558 UPS 50-44 F 60 Hz

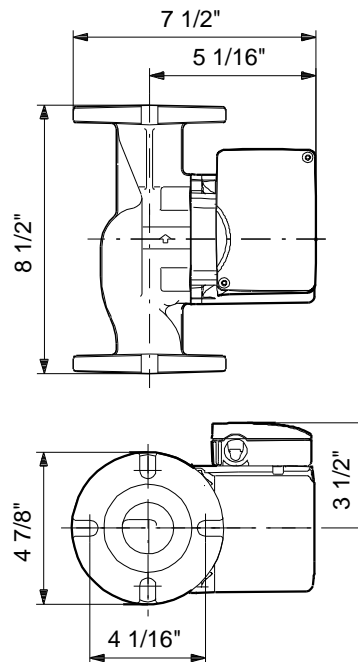
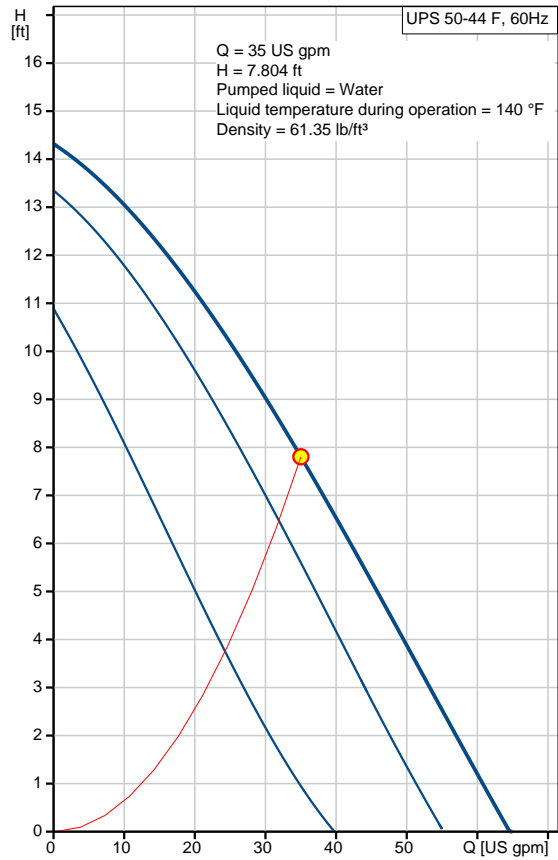




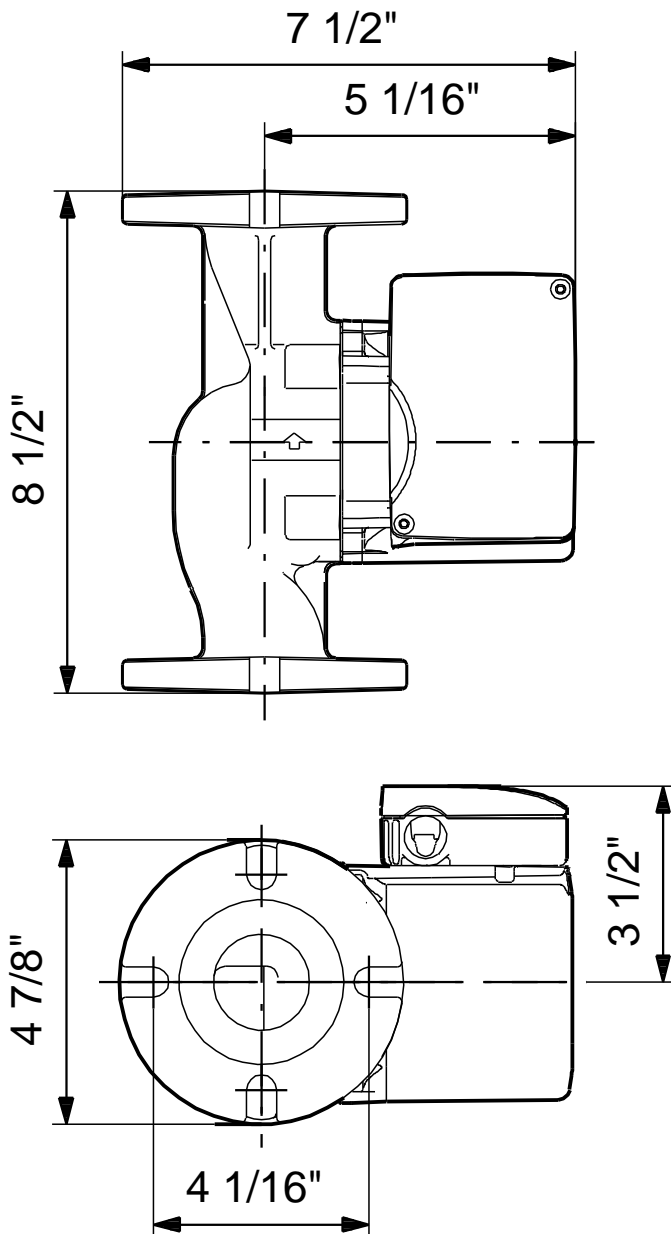
Company name: Hurley Engineering
 Created by:
 Phone:

Date: 3/23/2020

Description	Value
General information:	
Product name:	UPS 50-44 F
Product No.:	52722558
EAN:	5700838487800
	5700838487800
Technical:	
Speed Number:	3
Actual calculated flow:	35 US gpm
Max flow:	63.8 US gpm
Resulting head of the pump:	7.804 ft
Head max:	14.76 ft
Approvals on nameplate:	UL, CSA
Materials:	
Pump housing:	Cast iron
	EN-JL1030
	ASTM 30 B
Impeller:	Composite, PES
Installation:	
Maximum ambient temperature:	104 °F
Ambient max at 176°F liquid:	176 °F
Maximum operating pressure:	145.04 psi
Flange standard:	USA Round
Type of connection:	C.I. Flange
Pipe connection:	4 - Bolt Flange
Pressure stage:	10
Port-to-port length:	8 9/16 in
Liquid:	
Pumped liquid:	Water
Liquid temperature range:	32 .. 230 °F
Selected liquid temperature:	140 °F
Density:	61.35 lb/ft ³
Electrical data:	
Power input in speed 1:	0.1971 HP
Power input in speed 2:	182 W
Max. power input:	195 W
Main frequency:	60 Hz
Rated voltage:	1 x 230 V
Current in speed 1:	0.74 A
Current in speed 2:	0.81 A
Current in speed 3:	0.9 A
Capacitor size - run:	5 µF
Number of poles:	2
Insulation class (IEC 85):	F
Motor protection:	CONTACT
Thermal protec:	internal
Controls:	
Pos term box:	9H
Others:	
Gross weight:	15.5 lb
Country of origin:	US
Custom tariff no.:	8413.70.2005



52722558 UPS 50-44 F 60 Hz



Note! All units are in [in] unless otherwise stated.
Disclaimer: This simplified dimensional drawing does not show all details.