

PROJECT:	Criculators	UNIT TAG:	_____	QUANTITY:	1
REPRESENTATIVE:	_____	TYPE OF SERVICE:	Recirculation	DATE:	_____
ENGINEER:	Hurley Engineering	SUBMITTED BY:	Devin Carle	DATE:	_____
ENGINEER:	TBD	APPROVED BY:	_____	DATE:	_____
CONTRACTOR:	TBD	ORDER NO.:	_____	DATE:	_____

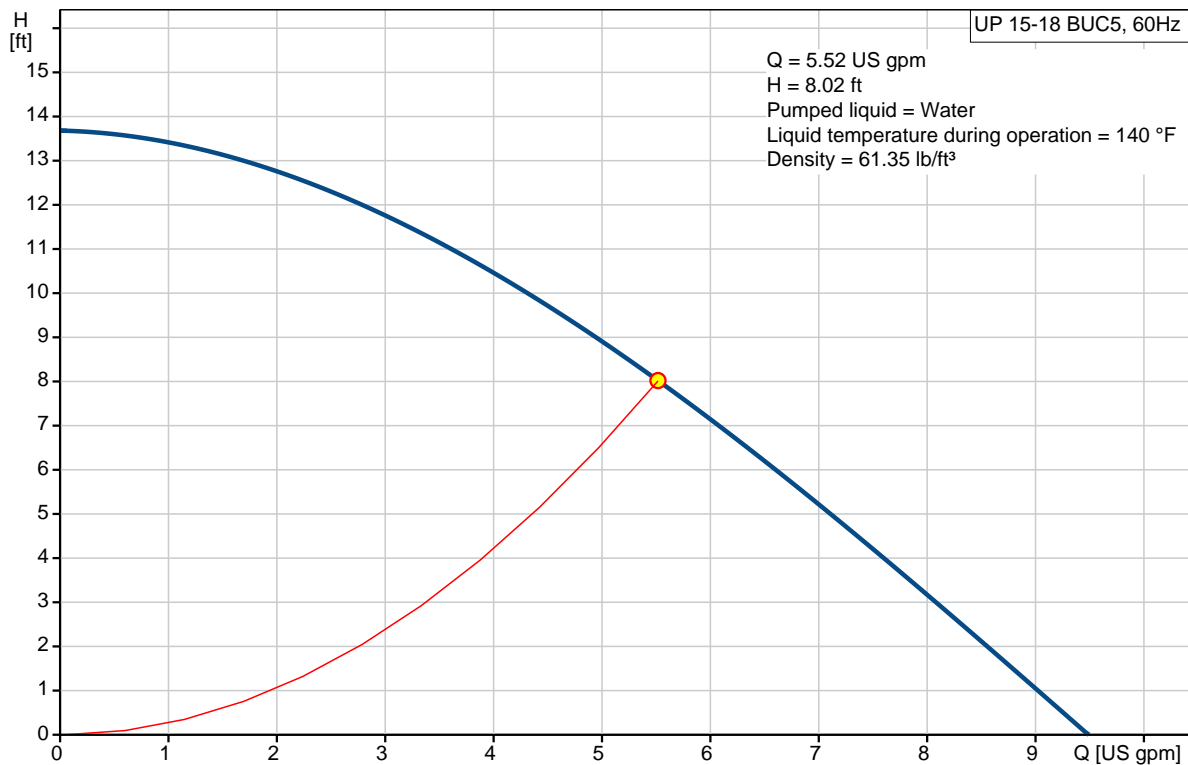


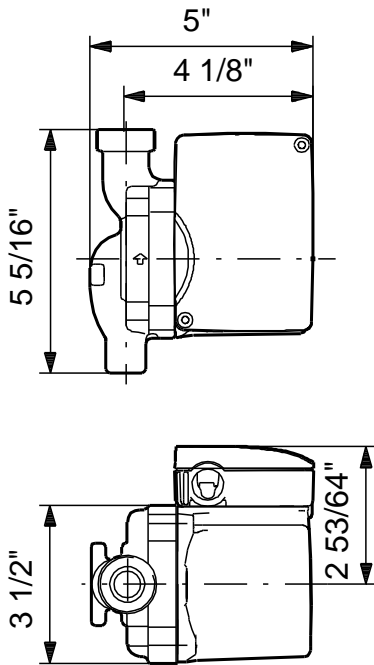
### UP 15-18 BUC5

Circulator pumps

Product photo could vary from the actual product

Conditions of Service	Pump Data	Motor Data
Flow: 5.52 US gpm	Maximum operating pressure: 145.04 psi	Max. power input: 86 W
Head: 8.02 ft	Liquid temperature range: 35.6 .. 230 °F	Rated voltage: 115 V
Efficiency: _____	Maximum ambient temperature: 104 °F	Main frequency: 60 Hz
Liquid: Water	Approvals: UL, CSA	Insulation class: F
Temperature: 140 °F	Type of connection: Bronze Sweat	Motor protection: CONTACT
NPSH required: ft	Flange standard: USA Sweat	Thermal protection: internal
Viscosity: _____	Pipe connection: 1/2" Sweat	
Specific Gravity: 0.985	Product number: 59896123	






**Materials:**

Pump housing: Bronze  
DIN W.-Nr. 2.1176.01

Impeller: Composite, PES

Count	Description																																				
1	<p data-bbox="288 405 478 436"><b>UP 15-18 BUC5</b></p> <div data-bbox="327 481 654 750">  </div> <p data-bbox="694 757 1149 784">Product photo could vary from the actual product</p> <p data-bbox="288 788 566 817">Product No.: <a href="#">59896123</a></p> <p data-bbox="288 819 821 907">The pump is of the canned rotor type, i.e. pump and motor form an integral unit without shaft seal and with only two gaskets for sealing.</p> <p data-bbox="288 909 845 938">The bearings are lubricated by the pumped liquid.</p> <p data-bbox="288 940 630 969">The pump is characterized by:</p> <ul data-bbox="335 972 885 1115" style="list-style-type: none"> <li>* Ceramic shaft and radial bearings.</li> <li>* Carbon axial bearing.</li> <li>* Stainless steel rotor can and bearing plate.</li> <li>* Corrosion-resistant impeller, Composite, PES.</li> <li>* Bronze pump housing.</li> </ul> <p data-bbox="288 1144 758 1205">The motor is a 1-phase motor.                      No additional motor protection is required.</p> <p data-bbox="288 1234 391 1263"><b>Liquid:</b></p> <table data-bbox="288 1265 821 1384"> <tr> <td>Pumped liquid:</td> <td>Water</td> </tr> <tr> <td>Liquid temperature range:</td> <td>35.6 .. 230 °F</td> </tr> <tr> <td>Selected liquid temperature:</td> <td>140 °F</td> </tr> <tr> <td>Density:</td> <td>61.35 lb/ft³</td> </tr> </table> <p data-bbox="288 1413 422 1442"><b>Technical:</b></p> <table data-bbox="288 1444 821 1534"> <tr> <td>Actual calculated flow:</td> <td>5.52 US gpm</td> </tr> <tr> <td>Resulting head of the pump:</td> <td>8.02 ft</td> </tr> <tr> <td>Approvals on nameplate:</td> <td>UL, CSA</td> </tr> </table> <p data-bbox="288 1563 422 1592"><b>Materials:</b></p> <table data-bbox="288 1594 901 1684"> <tr> <td>Pump housing:</td> <td>Bronze</td> </tr> <tr> <td></td> <td>DIN W.-Nr. 2.1176.01</td> </tr> <tr> <td>Impeller:</td> <td>Composite, PES</td> </tr> </table> <p data-bbox="288 1713 438 1742"><b>Installation:</b></p> <table data-bbox="288 1744 821 1982"> <tr> <td>Maximum ambient temperature:</td> <td>104 °F</td> </tr> <tr> <td>Ambient max at 176°F liquid:</td> <td>176 °F</td> </tr> <tr> <td>Maximum operating pressure:</td> <td>145.04 psi</td> </tr> <tr> <td>Flange standard:</td> <td>USA Sweat</td> </tr> <tr> <td>Type of connection:</td> <td>Bronze Sweat</td> </tr> <tr> <td>Pipe connection:</td> <td>1/2" Sweat</td> </tr> <tr> <td>Pressure stage:</td> <td>10</td> </tr> <tr> <td>Port-to-port length:</td> <td>6 1/2 in</td> </tr> </table> <p data-bbox="288 2011 478 2040"><b>Electrical data:</b></p>	Pumped liquid:	Water	Liquid temperature range:	35.6 .. 230 °F	Selected liquid temperature:	140 °F	Density:	61.35 lb/ft³	Actual calculated flow:	5.52 US gpm	Resulting head of the pump:	8.02 ft	Approvals on nameplate:	UL, CSA	Pump housing:	Bronze		DIN W.-Nr. 2.1176.01	Impeller:	Composite, PES	Maximum ambient temperature:	104 °F	Ambient max at 176°F liquid:	176 °F	Maximum operating pressure:	145.04 psi	Flange standard:	USA Sweat	Type of connection:	Bronze Sweat	Pipe connection:	1/2" Sweat	Pressure stage:	10	Port-to-port length:	6 1/2 in
Pumped liquid:	Water																																				
Liquid temperature range:	35.6 .. 230 °F																																				
Selected liquid temperature:	140 °F																																				
Density:	61.35 lb/ft³																																				
Actual calculated flow:	5.52 US gpm																																				
Resulting head of the pump:	8.02 ft																																				
Approvals on nameplate:	UL, CSA																																				
Pump housing:	Bronze																																				
	DIN W.-Nr. 2.1176.01																																				
Impeller:	Composite, PES																																				
Maximum ambient temperature:	104 °F																																				
Ambient max at 176°F liquid:	176 °F																																				
Maximum operating pressure:	145.04 psi																																				
Flange standard:	USA Sweat																																				
Type of connection:	Bronze Sweat																																				
Pipe connection:	1/2" Sweat																																				
Pressure stage:	10																																				
Port-to-port length:	6 1/2 in																																				



Company name: Hurley Engineering  
Created by:  
Phone:

Date: 3/23/2020

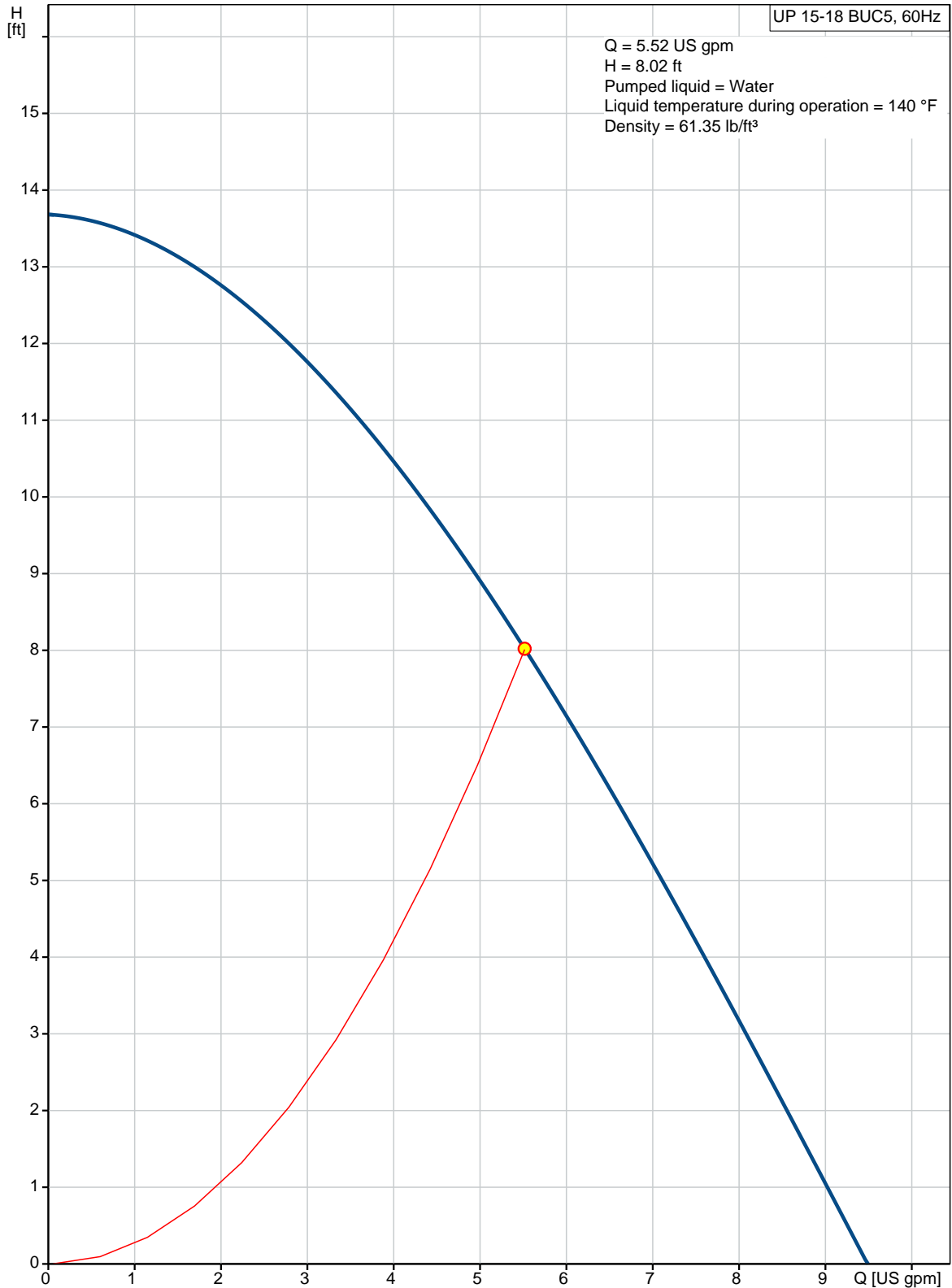
Count	Description
	Max. power input: 86 W Main frequency: 60 Hz Rated voltage: 1 x 115 V Current in speed 3: 0.74 A Capacitor size - run: 8 $\mu$ F/180 V Number of poles: 2 Insulation class (IEC 85): F
	<b>Others:</b> Gross weight: 7.25 lb Country of origin: US Custom tariff no.: 8413.70.2005



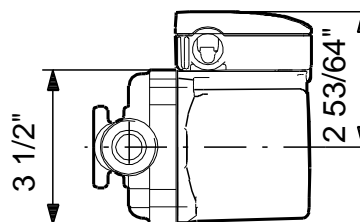
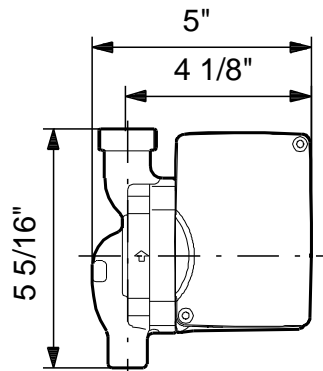
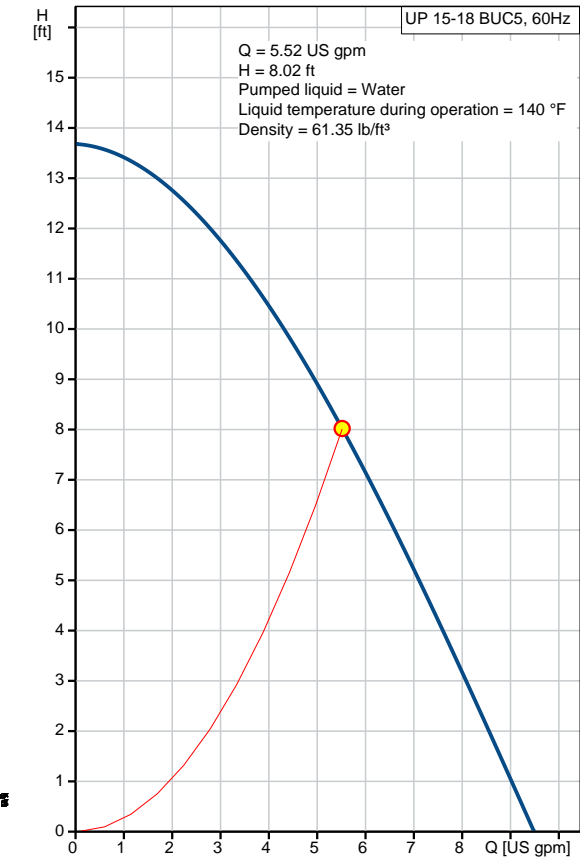
Company name: Hurley Engineering  
Created by:  
Phone:

Date: 3/23/2020

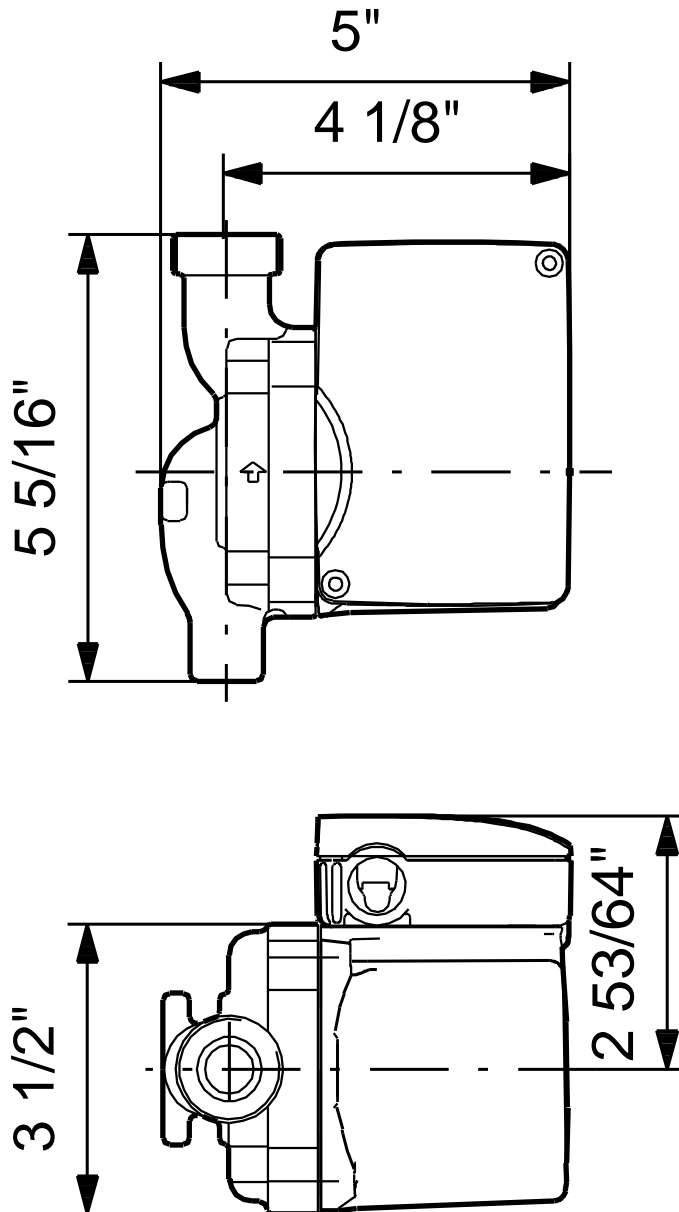
### 59896123 UP 15-18 BUC5 60 Hz



Description	Value
<b>General information:</b>	
Product name:	UP 15-18 BUC5
Product No.:	59896123
EAN:	5700391411618
	5700391411618
<b>Technical:</b>	
Speed Number:	1
Actual calculated flow:	5.52 US gpm
Max flow:	14.5 US gpm
Resulting head of the pump:	8.02 ft
Head max:	14.44 ft
Approvals on nameplate:	UL, CSA
Valve:	pump with built-in isolating and non-return valves
<b>Materials:</b>	
Pump housing:	Bronze
	DIN W.-Nr. 2.1176.01
Impeller:	Composite, PES
<b>Installation:</b>	
Maximum ambient temperature:	104 °F
Ambient max at 176°F liquid:	176 °F
Maximum operating pressure:	145.04 psi
Flange standard:	USA Sweat
Type of connection:	Bronze Sweat
Pipe connection:	1/2" Sweat
Pressure stage:	10
Port-to-port length:	6 1/2 in
<b>Liquid:</b>	
Pumped liquid:	Water
Liquid temperature range:	35.6 .. 230 °F
Selected liquid temperature:	140 °F
Density:	61.35 lb/ft³
<b>Electrical data:</b>	
Max. power input:	86 W
Main frequency:	60 Hz
Rated voltage:	1 x 115 V
Current in speed 3:	0.74 A
Capacitor size - run:	8 µF/180 V
Number of poles:	2
Insulation class (IEC 85):	F
Motor protection:	CONTACT
Thermal protec:	internal
<b>Controls:</b>	
Pos term box:	9H
<b>Others:</b>	
Gross weight:	7.25 lb
Country of origin:	US
Custom tariff no.:	8413.70.2005



**59896123 UP 15-18 BUC5 60 Hz**



Note! All units are in [in] unless otherwise stated.  
Disclaimer: This simplified dimensional drawing does not show all details.