

PROJECT:	Criculators	UNIT TAG:	_____	QUANTITY:	1
REPRESENTATIVE:	Hurley Engineering	TYPE OF SERVICE:	Recirculation	DATE:	_____
ENGINEER:	TBD	SUBMITTED BY:	Devin Carle	DATE:	_____
CONTRACTOR:	TBD	APPROVED BY:	_____	DATE:	_____
		ORDER NO.:	_____	DATE:	_____

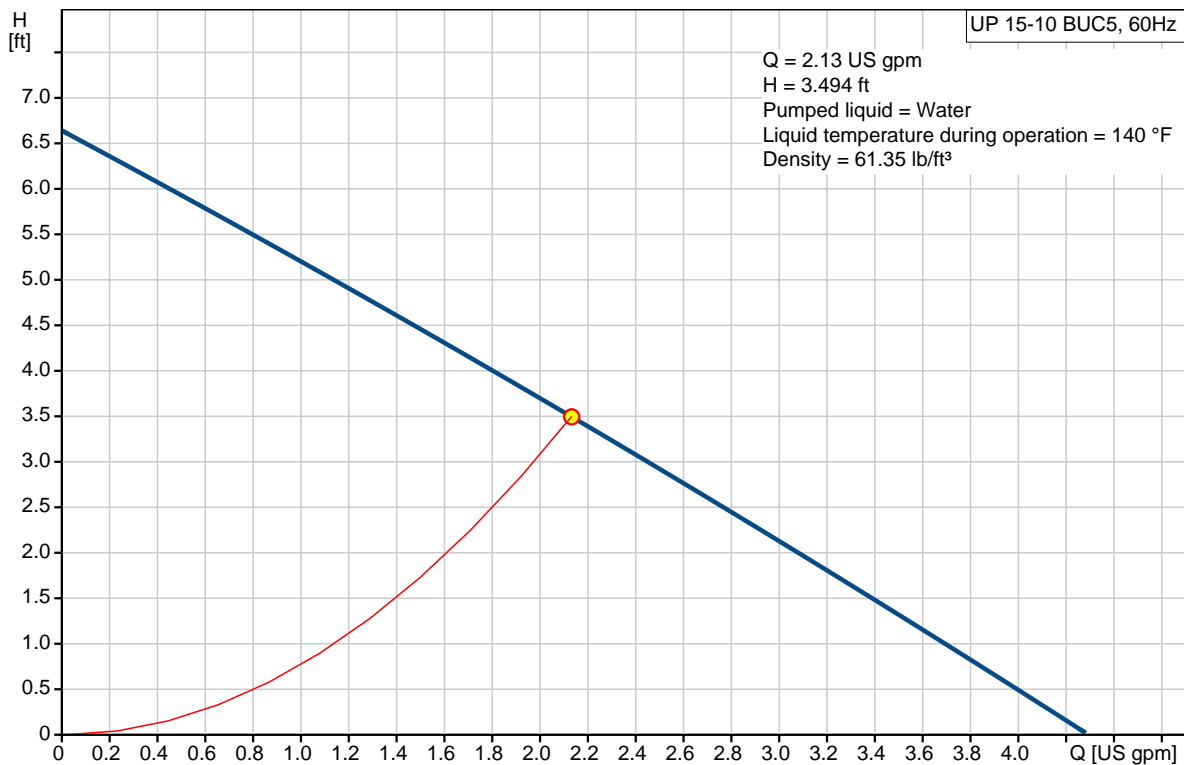


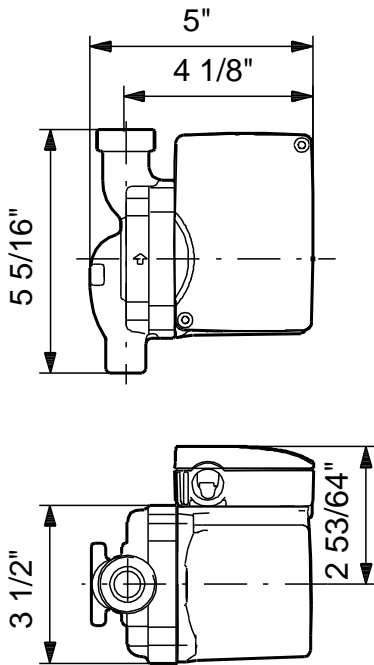
UP 15-10 BUC5

Circulator pumps

Product photo could vary from the actual product


Conditions of Service		Pump Data		Motor Data	
Flow:	2.13 US gpm	Maximum operating pressure:	145.04 psi	Max. power input:	25 W
Head:	3.494 ft	Liquid temperature range:	35.6 .. 230 °F	Rated voltage:	115 V
Efficiency:	_____	Maximum ambient temperature:	104 °F	Main frequency:	60 Hz
Liquid:	Water	Approvals:	UL, CSA	Insulation class:	F
Temperature:	140 °F	Type of connection:	Bronze Sweat	Motor protection:	CONTACT
NPSH required:	ft	Flange standard:	USA Sweat	Thermal protection:	internal
Viscosity:	_____	Pipe connection:	1/2" Sweat		
Specific Gravity:	0.985	Product number:	59896225		





Materials:

Pump housing: Bronze
DIN W.-Nr. 2.1176.01
Impeller: Composite, PES

Count	Description																																				
1	<p data-bbox="288 405 478 436">UP 15-10 BUC5</p> <div data-bbox="327 481 654 739">  </div> <p data-bbox="694 750 1149 779" style="text-align: center;">Product photo could vary from the actual product</p> <p data-bbox="288 784 566 813">Product No.: 59896225</p> <p data-bbox="288 817 821 907">The pump is of the canned rotor type, i.e. pump and motor form an integral unit without shaft seal and with only two gaskets for sealing.</p> <p data-bbox="288 907 845 936">The bearings are lubricated by the pumped liquid.</p> <p data-bbox="288 936 630 965">The pump is characterized by:</p> <ul data-bbox="335 965 885 1115" style="list-style-type: none"> * Ceramic shaft and radial bearings. * Carbon axial bearing. * Stainless steel rotor can and bearing plate. * Corrosion-resistant impeller, Composite, PES. * Bronze pump housing. <p data-bbox="288 1142 758 1205">The motor is a 1-phase motor. No additional motor protection is required.</p> <p data-bbox="288 1232 383 1261">Liquid:</p> <table data-bbox="288 1261 813 1384"> <tr> <td>Pumped liquid:</td> <td>Water</td> </tr> <tr> <td>Liquid temperature range:</td> <td>35.6 .. 230 °F</td> </tr> <tr> <td>Selected liquid temperature:</td> <td>140 °F</td> </tr> <tr> <td>Density:</td> <td>61.35 lb/ft³</td> </tr> </table> <p data-bbox="288 1411 422 1440">Technical:</p> <table data-bbox="288 1440 813 1529"> <tr> <td>Actual calculated flow:</td> <td>2.13 US gpm</td> </tr> <tr> <td>Resulting head of the pump:</td> <td>3.494 ft</td> </tr> <tr> <td>Approvals on nameplate:</td> <td>UL, CSA</td> </tr> </table> <p data-bbox="288 1556 414 1585">Materials:</p> <table data-bbox="288 1585 901 1680"> <tr> <td>Pump housing:</td> <td>Bronze</td> </tr> <tr> <td></td> <td>DIN W.-Nr. 2.1176.01</td> </tr> <tr> <td>Impeller:</td> <td>Composite, PES</td> </tr> </table> <p data-bbox="288 1706 438 1736">Installation:</p> <table data-bbox="288 1736 821 1977"> <tr> <td>Maximum ambient temperature:</td> <td>104 °F</td> </tr> <tr> <td>Ambient max at 176°F liquid:</td> <td>176 °F</td> </tr> <tr> <td>Maximum operating pressure:</td> <td>145.04 psi</td> </tr> <tr> <td>Flange standard:</td> <td>USA Sweat</td> </tr> <tr> <td>Type of connection:</td> <td>Bronze Sweat</td> </tr> <tr> <td>Pipe connection:</td> <td>1/2" Sweat</td> </tr> <tr> <td>Pressure stage:</td> <td>10</td> </tr> <tr> <td>Port-to-port length:</td> <td>6 1/2 in</td> </tr> </table> <p data-bbox="288 2004 478 2033">Electrical data:</p>	Pumped liquid:	Water	Liquid temperature range:	35.6 .. 230 °F	Selected liquid temperature:	140 °F	Density:	61.35 lb/ft³	Actual calculated flow:	2.13 US gpm	Resulting head of the pump:	3.494 ft	Approvals on nameplate:	UL, CSA	Pump housing:	Bronze		DIN W.-Nr. 2.1176.01	Impeller:	Composite, PES	Maximum ambient temperature:	104 °F	Ambient max at 176°F liquid:	176 °F	Maximum operating pressure:	145.04 psi	Flange standard:	USA Sweat	Type of connection:	Bronze Sweat	Pipe connection:	1/2" Sweat	Pressure stage:	10	Port-to-port length:	6 1/2 in
Pumped liquid:	Water																																				
Liquid temperature range:	35.6 .. 230 °F																																				
Selected liquid temperature:	140 °F																																				
Density:	61.35 lb/ft³																																				
Actual calculated flow:	2.13 US gpm																																				
Resulting head of the pump:	3.494 ft																																				
Approvals on nameplate:	UL, CSA																																				
Pump housing:	Bronze																																				
	DIN W.-Nr. 2.1176.01																																				
Impeller:	Composite, PES																																				
Maximum ambient temperature:	104 °F																																				
Ambient max at 176°F liquid:	176 °F																																				
Maximum operating pressure:	145.04 psi																																				
Flange standard:	USA Sweat																																				
Type of connection:	Bronze Sweat																																				
Pipe connection:	1/2" Sweat																																				
Pressure stage:	10																																				
Port-to-port length:	6 1/2 in																																				



Company name: Hurley Engineering
Created by:
Phone:

Date: 3/23/2020

Count	Description
	Max. power input: 25 W Main frequency: 60 Hz Rated voltage: 1 x 115 V Current in speed 3: 0.22 A Capacitor size - run: 2 µF/400 V Number of poles: 2 Insulation class (IEC 85): F
	Others: Gross weight: 7.25 lb Country of origin: US Custom tariff no.: 8413.70.2005



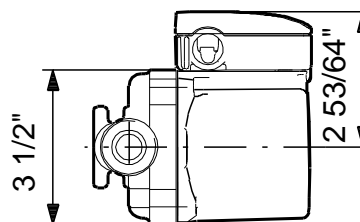
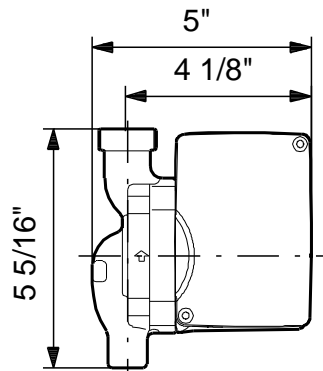
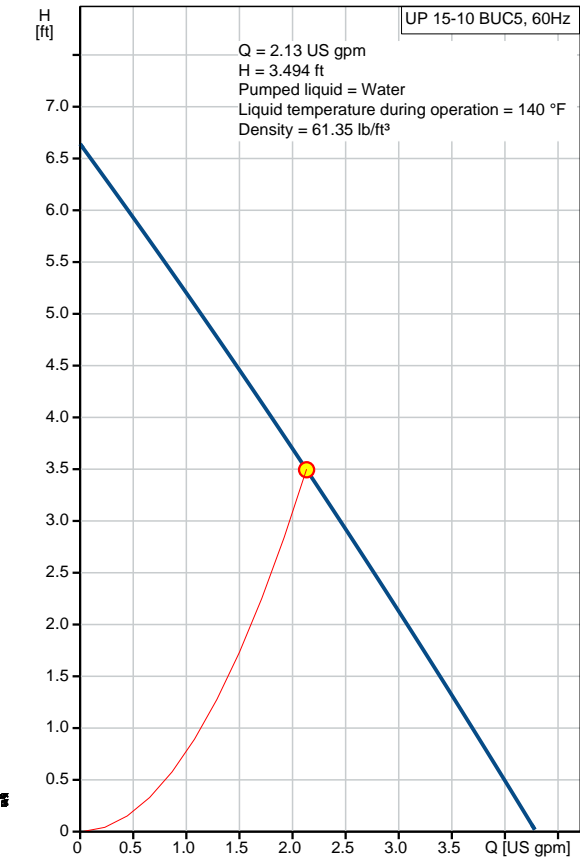
Company name: Hurley Engineering
Created by:
Phone:

Date: 3/23/2020

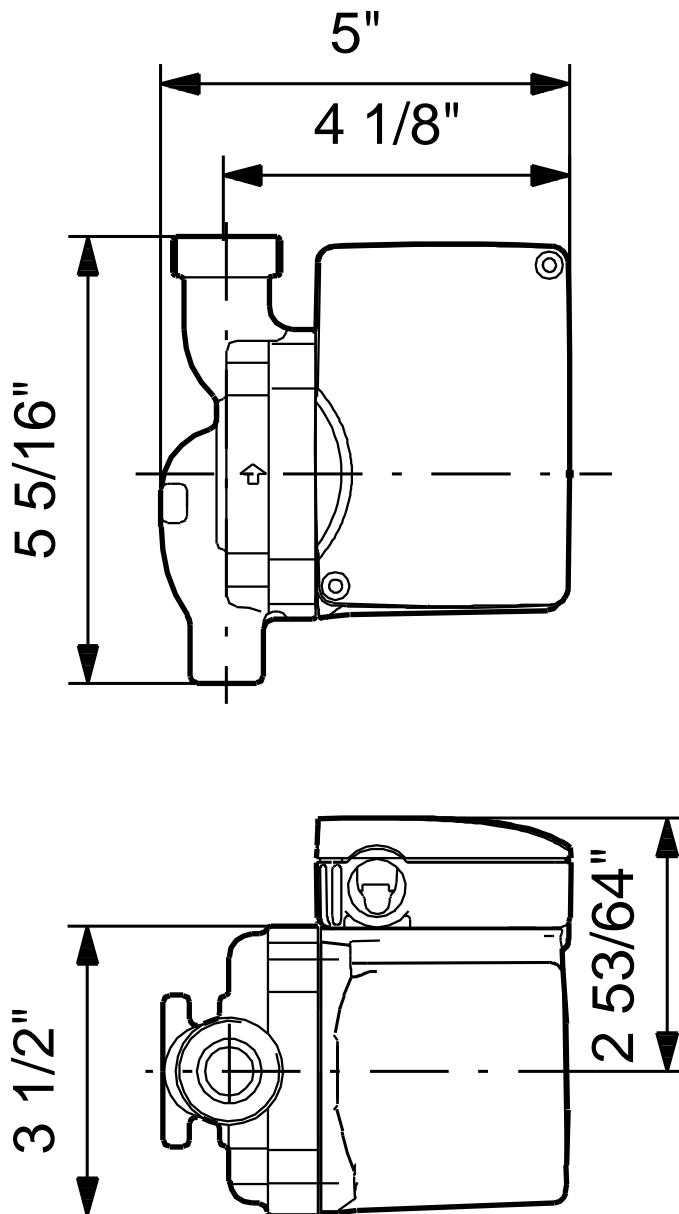
59896225 UP 15-10 BUC5 60 Hz



Description	Value
General information:	
Product name:	UP 15-10 BUC5
Product No.:	59896225
EAN:	5700393028074 5700393028074
Technical:	
Speed Number:	1
Actual calculated flow:	2.13 US gpm
Max flow:	6.6 US gpm
Resulting head of the pump:	3.494 ft
Head max:	6.562 ft
Approvals on nameplate:	UL, CSA
Valve:	pump with built-in isolating and non-return valves
Materials:	
Pump housing:	Bronze DIN W.-Nr. 2.1176.01
Impeller:	Composite, PES
Installation:	
Maximum ambient temperature:	104 °F
Ambient max at 176°F liquid:	176 °F
Maximum operating pressure:	145.04 psi
Flange standard:	USA Sweat
Type of connection:	Bronze Sweat
Pipe connection:	1/2" Sweat
Pressure stage:	10
Port-to-port length:	6 1/2 in
Liquid:	
Pumped liquid:	Water
Liquid temperature range:	35.6 .. 230 °F
Selected liquid temperature:	140 °F
Density:	61.35 lb/ft³
Electrical data:	
Max. power input:	25 W
Main frequency:	60 Hz
Rated voltage:	1 x 115 V
Current in speed 3:	0.22 A
Capacitor size - run:	2 µF/400 V
Number of poles:	2
Insulation class (IEC 85):	F
Motor protection:	CONTACT
Thermal protec:	internal
Controls:	
Pos term box:	9H
Others:	
Gross weight:	7.25 lb
Country of origin:	US
Custom tariff no.:	8413.70.2005



59896225 UP 15-10 BUC5 60 Hz



Note! All units are in [in] unless otherwise stated.
Disclaimer: This simplified dimensional drawing does not show all details.