

| | | | | | |
|-----------------|--------------------|------------------|---------------|-----------|-------|
| PROJECT: | Criculators | UNIT TAG: | _____ | QUANTITY: | 1 |
| REPRESENTATIVE: | Hurley Engineering | TYPE OF SERVICE: | Recirculation | DATE: | _____ |
| ENGINEER: | TBD | SUBMITTED BY: | Devin Carle | DATE: | _____ |
| CONTRACTOR: | TBD | APPROVED BY: | _____ | DATE: | _____ |
| | | ORDER NO.: | _____ | DATE: | _____ |

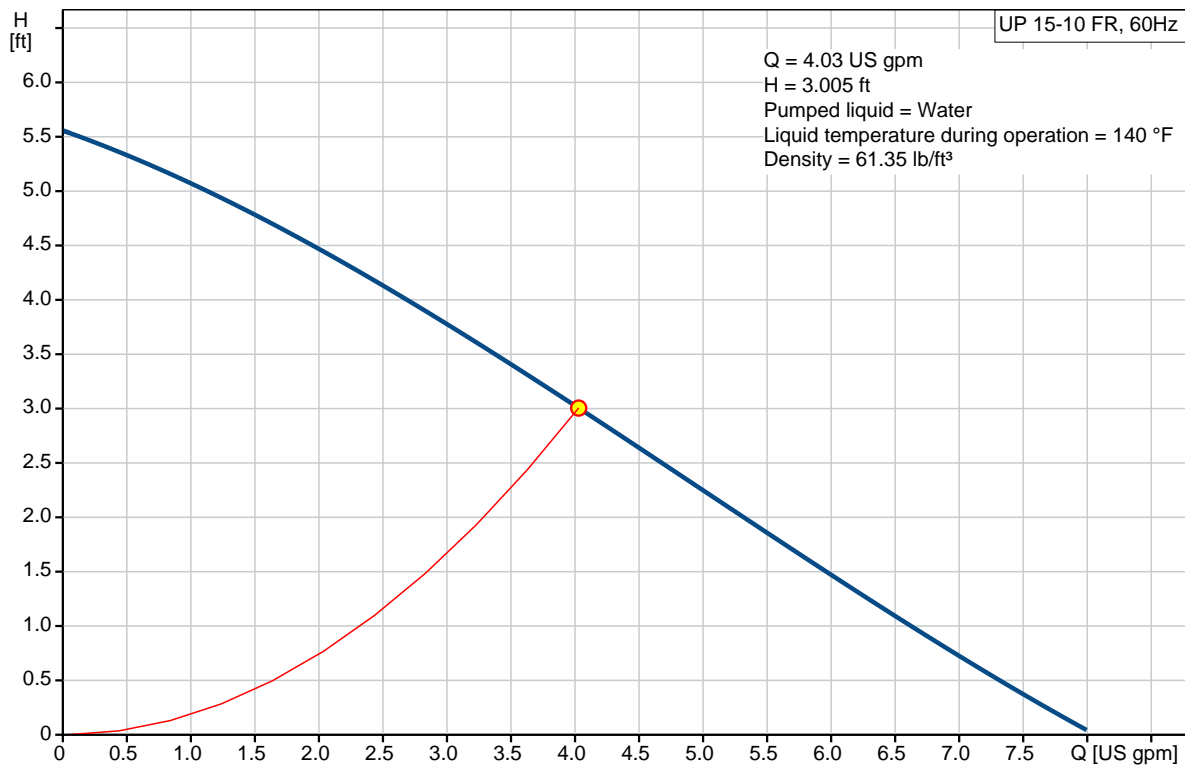


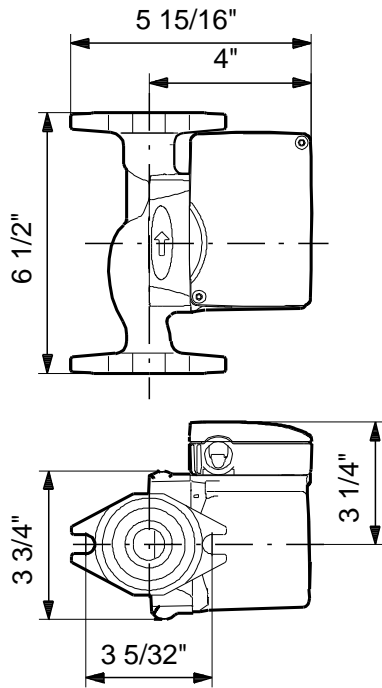
UP 15-10 FR

Circulator pumps

Product photo could vary from the actual product


| Conditions of Service | | Pump Data | | Motor Data | |
|-----------------------|-------------|------------------------------|--------------------------|---------------------|----------|
| Flow: | 4.03 US gpm | Maximum operating pressure: | 145.04 psi | Max. power input: | 25 W |
| Head: | 3.005 ft | Liquid temperature range: | 35.6 .. 230 °F | Rated voltage: | 115 V |
| Efficiency: | _____ | Maximum ambient temperature: | 104 °F | Main frequency: | 60 Hz |
| Liquid: | Water | Approvals: | UL, CSA | Insulation class: | F |
| Temperature: | 140 °F | Type of connection: | C.I. Flange | Motor protection: | CONTACT |
| NPSH required: | ft | Flange standard: | USA Oval | Thermal protection: | internal |
| Viscosity: | _____ | Pipe connection: | 2 - Bolt Flange, Rotated | | |
| Specific Gravity: | 0.985 | Product number: | 59896249 | | |





Materials:

Pump housing: Cast iron
EN-JL1030
ASTM 30 B
Impeller: Composite, PES

| Count | Description | | | | | | | | | | | | | | | | | | | | | | | | | | | | | | | | | | |
|------------------------------|---|----------------|-------|---------------------------|----------------|------------------------------|--------|----------|--------------|-------------------------|-------------|-----------------------------|----------|-------------------------|---------|---------------|-------------------------------------|-----------|----------------|------------------------------|--------|------------------------------|--------|-----------------------------|------------|------------------|----------|---------------------|-------------|------------------|--------------------------|-----------------|----|----------------------|----------|
| 1 | <p data-bbox="288 405 448 441">UP 15-10 FR</p> <div data-bbox="325 488 655 741">  </div> <p data-bbox="692 757 1150 781">Product photo could vary from the actual product</p> <p data-bbox="288 788 568 813">Product No.: 59896249</p> <p data-bbox="288 819 823 904">The pump is of the canned rotor type, i.e. pump and motor form an integral unit without shaft seal and with only two gaskets for sealing.</p> <p data-bbox="288 909 847 934">The bearings are lubricated by the pumped liquid.</p> <p data-bbox="288 938 635 963">The pump is characterized by:</p> <ul data-bbox="341 967 884 1115" style="list-style-type: none"> * Ceramic shaft and radial bearings. * Carbon axial bearing. * Stainless steel rotor can and bearing plate. * Corrosion-resistant impeller, Composite, PES. * Cast iron pump housing. <p data-bbox="288 1144 762 1202">The motor is a 1-phase motor. No additional motor protection is required.</p> <p data-bbox="288 1234 384 1258">Liquid:</p> <table data-bbox="288 1263 815 1382"> <tr> <td>Pumped liquid:</td> <td>Water</td> </tr> <tr> <td>Liquid temperature range:</td> <td>35.6 .. 230 °F</td> </tr> <tr> <td>Selected liquid temperature:</td> <td>140 °F</td> </tr> <tr> <td>Density:</td> <td>61.35 lb/ft³</td> </tr> </table> <p data-bbox="288 1413 424 1438">Technical:</p> <table data-bbox="288 1442 810 1529"> <tr> <td>Actual calculated flow:</td> <td>4.03 US gpm</td> </tr> <tr> <td>Resulting head of the pump:</td> <td>3.005 ft</td> </tr> <tr> <td>Approvals on nameplate:</td> <td>UL, CSA</td> </tr> </table> <p data-bbox="288 1561 416 1585">Materials:</p> <table data-bbox="288 1590 847 1709"> <tr> <td>Pump housing:</td> <td>Cast iron EN-JL1030 ASTM 30 B</td> </tr> <tr> <td>Impeller:</td> <td>Composite, PES</td> </tr> </table> <p data-bbox="288 1740 440 1765">Installation:</p> <table data-bbox="288 1769 927 2007"> <tr> <td>Maximum ambient temperature:</td> <td>104 °F</td> </tr> <tr> <td>Ambient max at 176°F liquid:</td> <td>176 °F</td> </tr> <tr> <td>Maximum operating pressure:</td> <td>145.04 psi</td> </tr> <tr> <td>Flange standard:</td> <td>USA Oval</td> </tr> <tr> <td>Type of connection:</td> <td>C.I. Flange</td> </tr> <tr> <td>Pipe connection:</td> <td>2 - Bolt Flange, Rotated</td> </tr> <tr> <td>Pressure stage:</td> <td>10</td> </tr> <tr> <td>Port-to-port length:</td> <td>6 1/2 in</td> </tr> </table> | Pumped liquid: | Water | Liquid temperature range: | 35.6 .. 230 °F | Selected liquid temperature: | 140 °F | Density: | 61.35 lb/ft³ | Actual calculated flow: | 4.03 US gpm | Resulting head of the pump: | 3.005 ft | Approvals on nameplate: | UL, CSA | Pump housing: | Cast iron EN-JL1030 ASTM 30 B | Impeller: | Composite, PES | Maximum ambient temperature: | 104 °F | Ambient max at 176°F liquid: | 176 °F | Maximum operating pressure: | 145.04 psi | Flange standard: | USA Oval | Type of connection: | C.I. Flange | Pipe connection: | 2 - Bolt Flange, Rotated | Pressure stage: | 10 | Port-to-port length: | 6 1/2 in |
| Pumped liquid: | Water | | | | | | | | | | | | | | | | | | | | | | | | | | | | | | | | | | |
| Liquid temperature range: | 35.6 .. 230 °F | | | | | | | | | | | | | | | | | | | | | | | | | | | | | | | | | | |
| Selected liquid temperature: | 140 °F | | | | | | | | | | | | | | | | | | | | | | | | | | | | | | | | | | |
| Density: | 61.35 lb/ft³ | | | | | | | | | | | | | | | | | | | | | | | | | | | | | | | | | | |
| Actual calculated flow: | 4.03 US gpm | | | | | | | | | | | | | | | | | | | | | | | | | | | | | | | | | | |
| Resulting head of the pump: | 3.005 ft | | | | | | | | | | | | | | | | | | | | | | | | | | | | | | | | | | |
| Approvals on nameplate: | UL, CSA | | | | | | | | | | | | | | | | | | | | | | | | | | | | | | | | | | |
| Pump housing: | Cast iron EN-JL1030 ASTM 30 B | | | | | | | | | | | | | | | | | | | | | | | | | | | | | | | | | | |
| Impeller: | Composite, PES | | | | | | | | | | | | | | | | | | | | | | | | | | | | | | | | | | |
| Maximum ambient temperature: | 104 °F | | | | | | | | | | | | | | | | | | | | | | | | | | | | | | | | | | |
| Ambient max at 176°F liquid: | 176 °F | | | | | | | | | | | | | | | | | | | | | | | | | | | | | | | | | | |
| Maximum operating pressure: | 145.04 psi | | | | | | | | | | | | | | | | | | | | | | | | | | | | | | | | | | |
| Flange standard: | USA Oval | | | | | | | | | | | | | | | | | | | | | | | | | | | | | | | | | | |
| Type of connection: | C.I. Flange | | | | | | | | | | | | | | | | | | | | | | | | | | | | | | | | | | |
| Pipe connection: | 2 - Bolt Flange, Rotated | | | | | | | | | | | | | | | | | | | | | | | | | | | | | | | | | | |
| Pressure stage: | 10 | | | | | | | | | | | | | | | | | | | | | | | | | | | | | | | | | | |
| Port-to-port length: | 6 1/2 in | | | | | | | | | | | | | | | | | | | | | | | | | | | | | | | | | | |



Company name: Hurley Engineering
Created by:
Phone:

Date: 3/23/2020

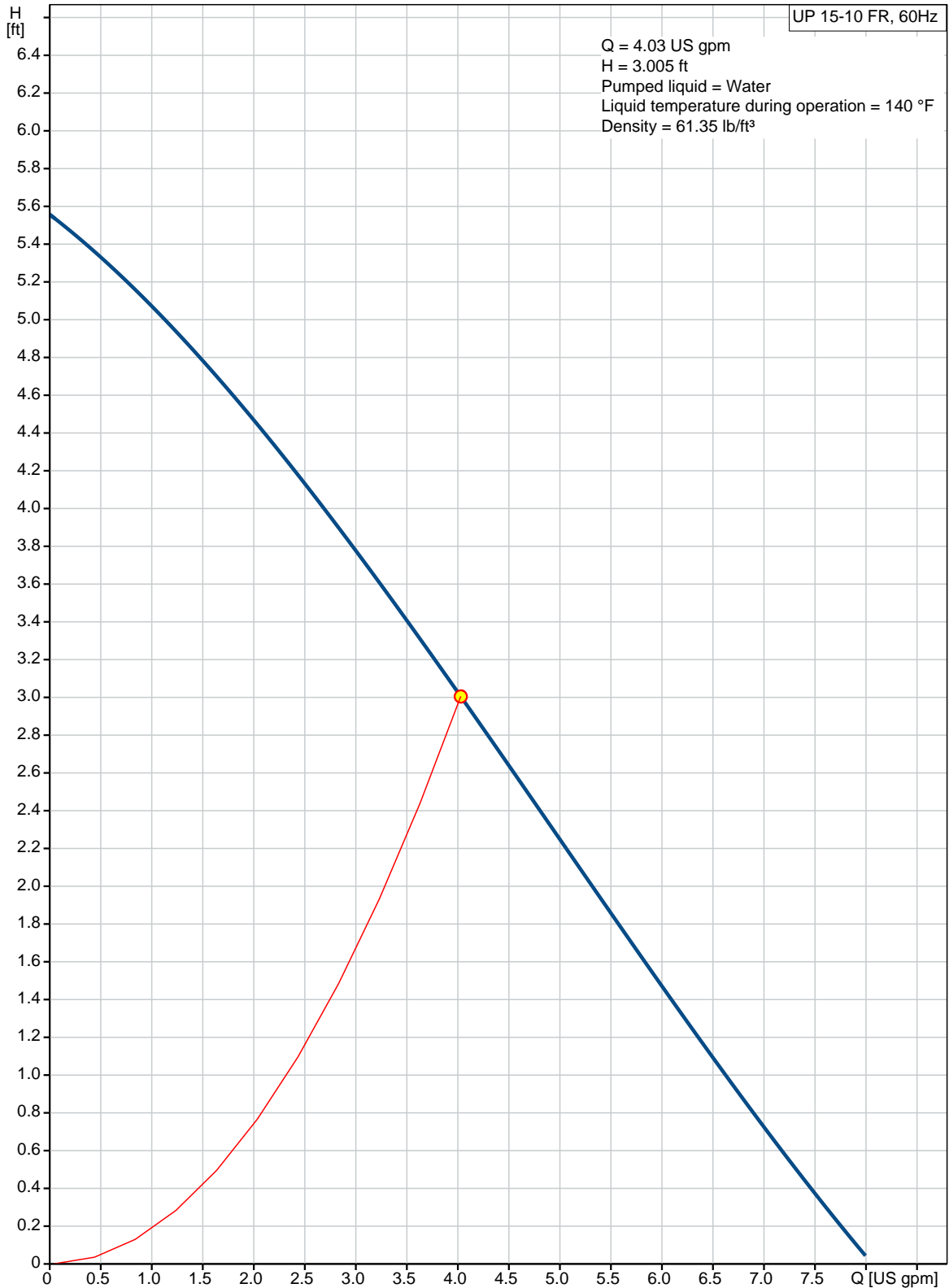
| Count | Description |
|-------|--|
| | Electrical data: Max. power input: 25 W Main frequency: 60 Hz Rated voltage: 1 x 115 V Current in speed 3: 0.23 A Capacitor size - run: 2 µF/400 V Number of poles: 2 Insulation class (IEC 85): F |
| | Others: Gross weight: 7.25 lb Country of origin: US Custom tariff no.: 8413.70.2005 |



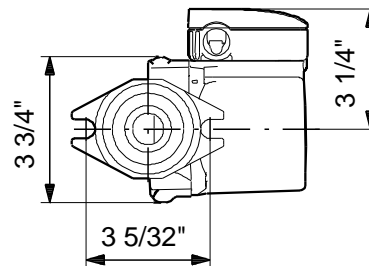
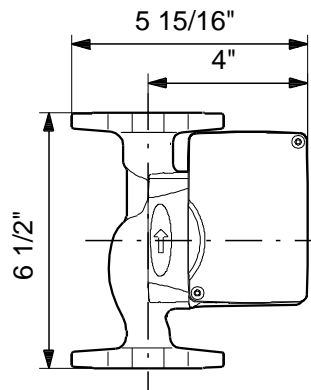
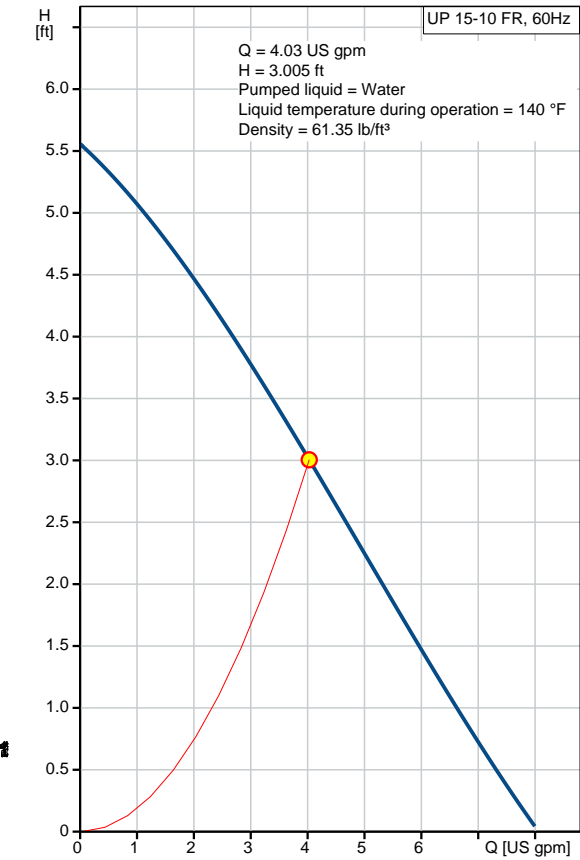
Company name: Hurley Engineering
Created by:
Phone:

Date: 3/23/2020

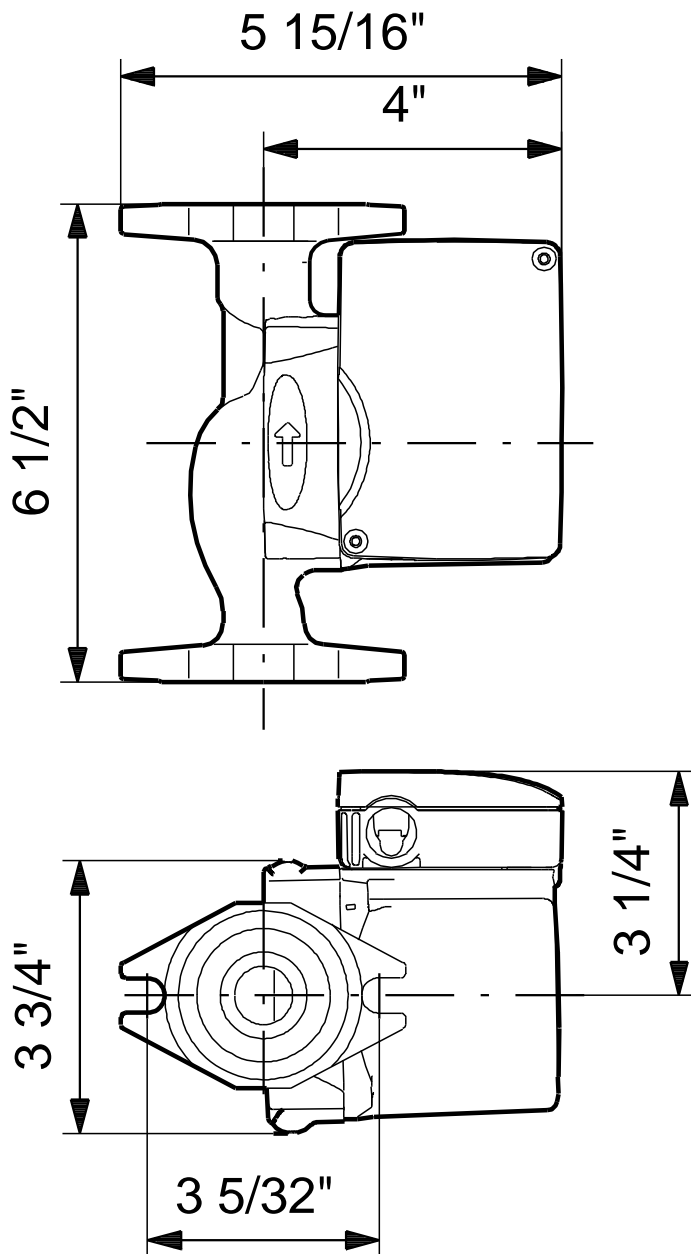
59896249 UP 15-10 FR 60 Hz



| Description | Value |
|------------------------------|--------------------------|
| General information: | |
| Product name: | UP 15-10 FR |
| Product No.: | 59896249 |
| EAN: | 5700394446242 |
| | 5700394446242 |
| Technical: | |
| Speed Number: | 1 |
| Actual calculated flow: | 4.03 US gpm |
| Max flow: | 7.93 US gpm |
| Resulting head of the pump: | 3.005 ft |
| Head max: | 5.578 ft |
| Approvals on nameplate: | UL, CSA |
| Materials: | |
| Pump housing: | Cast iron |
| | EN-JL1030 |
| | ASTM 30 B |
| Impeller: | Composite, PES |
| Installation: | |
| Maximum ambient temperature: | 104 °F |
| Ambient max at 176°F liquid: | 176 °F |
| Maximum operating pressure: | 145.04 psi |
| Flange standard: | USA Oval |
| Type of connection: | C.I. Flange |
| Pipe connection: | 2 - Bolt Flange, Rotated |
| Pressure stage: | 10 |
| Port-to-port length: | 6 1/2 in |
| Liquid: | |
| Pumped liquid: | Water |
| Liquid temperature range: | 35.6 .. 230 °F |
| Selected liquid temperature: | 140 °F |
| Density: | 61.35 lb/ft ³ |
| Electrical data: | |
| Max. power input: | 25 W |
| Main frequency: | 60 Hz |
| Rated voltage: | 1 x 115 V |
| Current in speed 3: | 0.23 A |
| Capacitor size - run: | 2 µF/400 V |
| Number of poles: | 2 |
| Insulation class (IEC 85): | F |
| Motor protection: | CONTACT |
| Thermal protec: | internal |
| Controls: | |
| Pos term box: | 9H |
| Others: | |
| Gross weight: | 7.25 lb |
| Country of origin: | US |
| Custom tariff no.: | 8413.70.2005 |



59896249 UP 15-10 FR 60 Hz



Note! All units are in [in] unless otherwise stated.
Disclaimer: This simplified dimensional drawing does not show all details.