

PROJECT:	Criculators	UNIT TAG:	_____	QUANTITY:	1
REPRESENTATIVE:	Hurley Engineering	TYPE OF SERVICE:	Recirculation	DATE:	_____
ENGINEER:	TBD	SUBMITTED BY:	Devin Carle	DATE:	_____
CONTRACTOR:	TBD	APPROVED BY:	_____	DATE:	_____
		ORDER NO.:	_____	DATE:	_____

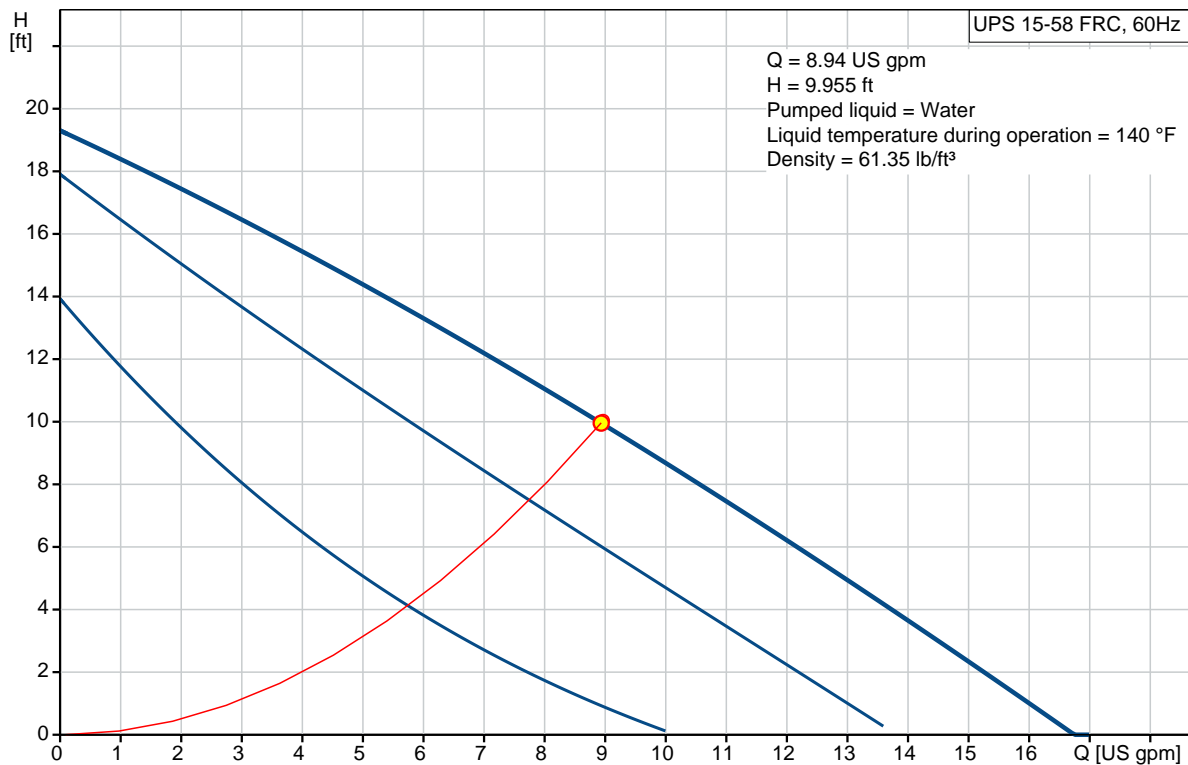


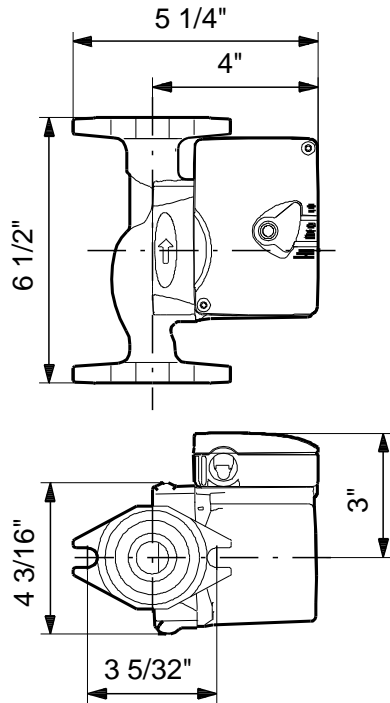
UPS 15-58 FRC

Circulator pumps

Product photo could vary from the actual product


Conditions of Service		Pump Data		Motor Data	
Flow:	8.94 US gpm	Maximum operating pressure:	145.04 psi	Max. power input:	87 W
Head:	9.955 ft	Liquid temperature range:	35.6 .. 230 °F	Rated voltage:	115 V
Efficiency:	_____	Maximum ambient temperature:	104 °F	Main frequency:	60 Hz
Liquid:	Water	Approvals:	UL, CSA	Insulation class:	F
Temperature:	140 °F	Type of connection:	C.I. Flange	Motor protection:	CONTACT
NPSH required:	ft	Flange standard:	USA Oval	Thermal protection:	internal
Viscosity:	_____	Pipe connection:	2 - Bolt Flange, Rotated		
Specific Gravity:	0.985	Product number:	59896343		





Materials:

Pump housing: Cast iron
EN-JL1030
ASTM 30 B
Impeller: Composite, PES

Count	Description																																		
1	<p data-bbox="288 405 478 439">UPS 15-58 FRC</p> <div data-bbox="327 488 654 743" style="text-align: center;">  </div> <p data-bbox="694 757 1149 784" style="text-align: center;">Product photo could vary from the actual product</p> <p data-bbox="288 788 566 815">Product No.: 59896343</p> <p data-bbox="288 819 821 904">The pump is of the canned rotor type, i.e. pump and motor form an integral unit without shaft seal and with only two gaskets for sealing.</p> <p data-bbox="288 909 845 936">The bearings are lubricated by the pumped liquid.</p> <p data-bbox="288 940 630 967">The pump is characterized by:</p> <ul data-bbox="335 972 885 1115" style="list-style-type: none"> * Ceramic shaft and radial bearings. * Carbon axial bearing. * Stainless steel rotor can and bearing plate. * Corrosion-resistant impeller, Composite, PES. * Cast iron pump housing. <p data-bbox="288 1146 758 1205">The motor is a 1-phase motor. No additional motor protection is required.</p> <p data-bbox="288 1236 383 1263">Liquid:</p> <table data-bbox="288 1267 813 1384"> <tr> <td>Pumped liquid:</td> <td>Water</td> </tr> <tr> <td>Liquid temperature range:</td> <td>35.6 .. 230 °F</td> </tr> <tr> <td>Selected liquid temperature:</td> <td>140 °F</td> </tr> <tr> <td>Density:</td> <td>61.35 lb/ft³</td> </tr> </table> <p data-bbox="288 1415 422 1442">Technical:</p> <table data-bbox="288 1447 813 1532"> <tr> <td>Actual calculated flow:</td> <td>8.94 US gpm</td> </tr> <tr> <td>Resulting head of the pump:</td> <td>9.955 ft</td> </tr> <tr> <td>Approvals on nameplate:</td> <td>UL, CSA</td> </tr> </table> <p data-bbox="288 1563 414 1590">Materials:</p> <table data-bbox="288 1594 845 1711"> <tr> <td>Pump housing:</td> <td>Cast iron EN-JL1030 ASTM 30 B</td> </tr> <tr> <td>Impeller:</td> <td>Composite, PES</td> </tr> </table> <p data-bbox="288 1742 438 1769">Installation:</p> <table data-bbox="288 1774 925 2011"> <tr> <td>Maximum ambient temperature:</td> <td>104 °F</td> </tr> <tr> <td>Ambient max at 176°F liquid:</td> <td>176 °F</td> </tr> <tr> <td>Maximum operating pressure:</td> <td>145.04 psi</td> </tr> <tr> <td>Flange standard:</td> <td>USA Oval</td> </tr> <tr> <td>Type of connection:</td> <td>C.I. Flange</td> </tr> <tr> <td>Pipe connection:</td> <td>2 - Bolt Flange, Rotated</td> </tr> <tr> <td>Pressure stage:</td> <td>10</td> </tr> <tr> <td>Port-to-port length:</td> <td>6 1/2 in</td> </tr> </table>	Pumped liquid:	Water	Liquid temperature range:	35.6 .. 230 °F	Selected liquid temperature:	140 °F	Density:	61.35 lb/ft ³	Actual calculated flow:	8.94 US gpm	Resulting head of the pump:	9.955 ft	Approvals on nameplate:	UL, CSA	Pump housing:	Cast iron EN-JL1030 ASTM 30 B	Impeller:	Composite, PES	Maximum ambient temperature:	104 °F	Ambient max at 176°F liquid:	176 °F	Maximum operating pressure:	145.04 psi	Flange standard:	USA Oval	Type of connection:	C.I. Flange	Pipe connection:	2 - Bolt Flange, Rotated	Pressure stage:	10	Port-to-port length:	6 1/2 in
Pumped liquid:	Water																																		
Liquid temperature range:	35.6 .. 230 °F																																		
Selected liquid temperature:	140 °F																																		
Density:	61.35 lb/ft ³																																		
Actual calculated flow:	8.94 US gpm																																		
Resulting head of the pump:	9.955 ft																																		
Approvals on nameplate:	UL, CSA																																		
Pump housing:	Cast iron EN-JL1030 ASTM 30 B																																		
Impeller:	Composite, PES																																		
Maximum ambient temperature:	104 °F																																		
Ambient max at 176°F liquid:	176 °F																																		
Maximum operating pressure:	145.04 psi																																		
Flange standard:	USA Oval																																		
Type of connection:	C.I. Flange																																		
Pipe connection:	2 - Bolt Flange, Rotated																																		
Pressure stage:	10																																		
Port-to-port length:	6 1/2 in																																		



Company name: Hurley Engineering
Created by:
Phone:

Date: 3/23/2020

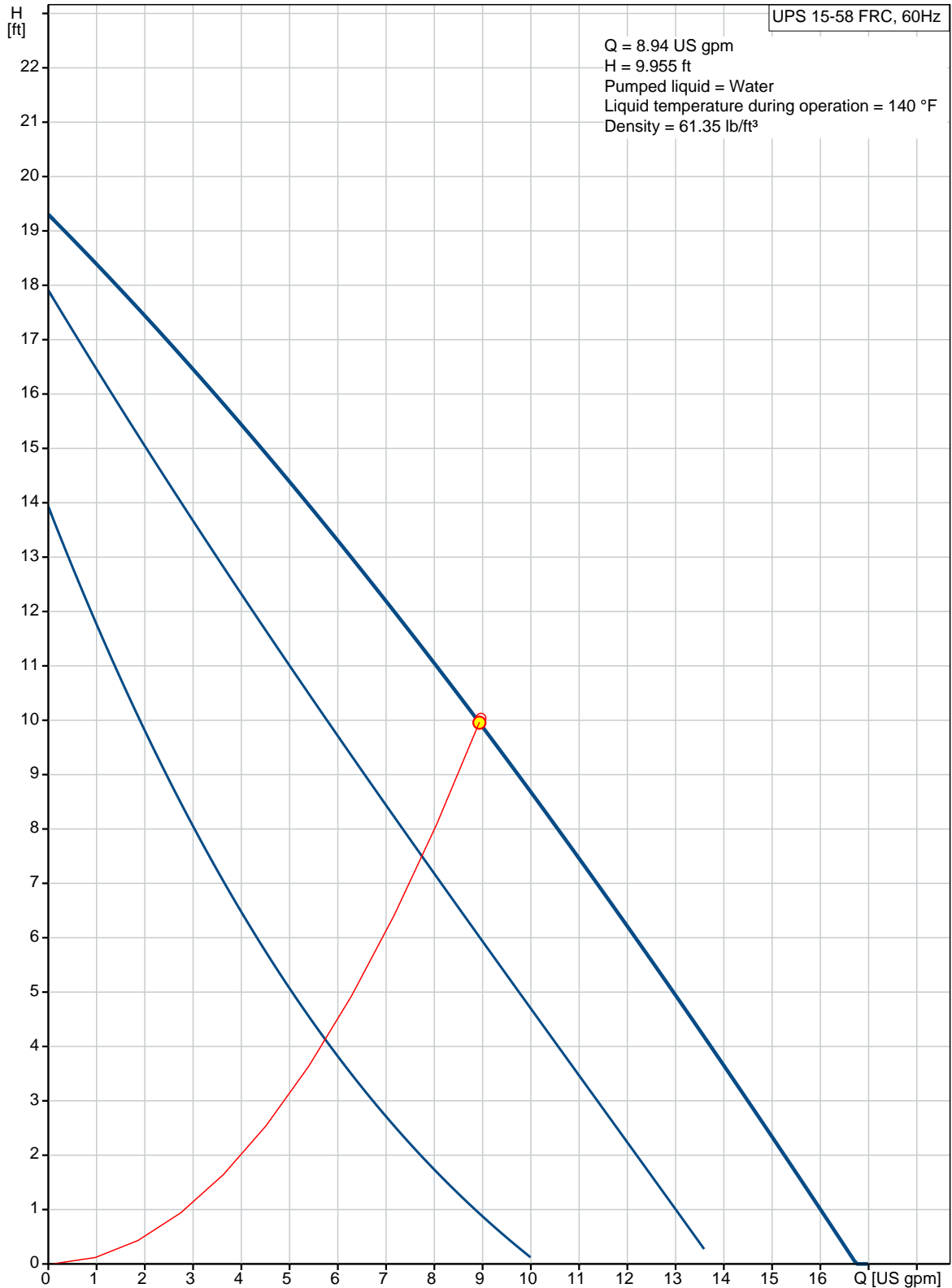
Count	Description
	Electrical data:
	Power input in speed 1: 0.0805 HP
	Power input in speed 2: 80 W
	Max. power input: 87 W
	Main frequency: 60 Hz
	Rated voltage: 1 x 115 V
	Current in speed 1: 0.55 A
	Current in speed 2: 0.66 A
	Current in speed 3: 0.75 A
	Capacitor size - run: 10 μ F/180 V
	Number of poles: 2
	Insulation class (IEC 85): F
	Others:
	Gross weight: 7.25 lb
	Country of origin: US
	Custom tariff no.: 8413.70.2005



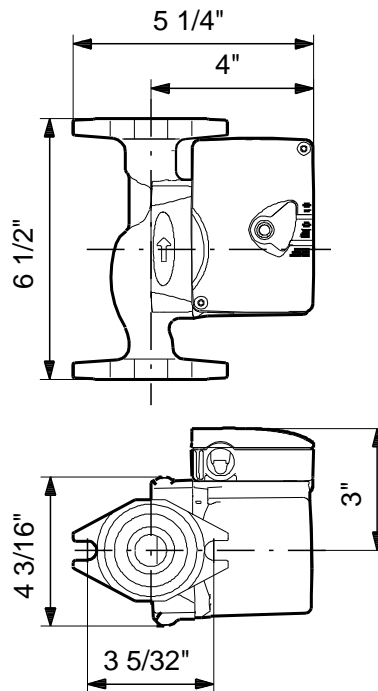
Company name: Hurley Engineering
Created by:
Phone:

Date: 3/23/2020

59896343 UPS 15-58 FRC 60 Hz



Description	Value
General information:	
Product name:	UPS 15-58 FRC
Product No.:	59896343
EAN:	5700395856408
	5700395856408
Technical:	
Speed Number:	3
Actual calculated flow:	8.94 US gpm
Max flow:	17.2 US gpm
Resulting head of the pump:	9.955 ft
Head max:	19.36 ft
Approvals on nameplate:	UL, CSA
Valve:	pump with built-in isolating and non-return valves
Materials:	
Pump housing:	Cast iron
	EN-JL1030
	ASTM 30 B
Impeller:	Composite, PES
Installation:	
Maximum ambient temperature:	104 °F
Ambient max at 176°F liquid:	176 °F
Maximum operating pressure:	145.04 psi
Flange standard:	USA Oval
Type of connection:	C.I. Flange
Pipe connection:	2 - Bolt Flange, Rotated
Pressure stage:	10
Port-to-port length:	6 1/2 in
Liquid:	
Pumped liquid:	Water
Liquid temperature range:	35.6 .. 230 °F
Selected liquid temperature:	140 °F
Density:	61.35 lb/ft³
Electrical data:	
Power input in speed 1:	0.0805 HP
Power input in speed 2:	80 W
Max. power input:	87 W
Main frequency:	60 Hz
Rated voltage:	1 x 115 V
Current in speed 1:	0.55 A
Current in speed 2:	0.66 A
Current in speed 3:	0.75 A
Capacitor size - run:	10 µF/180 V
Number of poles:	2
Insulation class (IEC 85):	F
Motor protection:	CONTACT
Thermal protec:	internal
Controls:	
Pos term box:	9H
Others:	
Gross weight:	7.25 lb



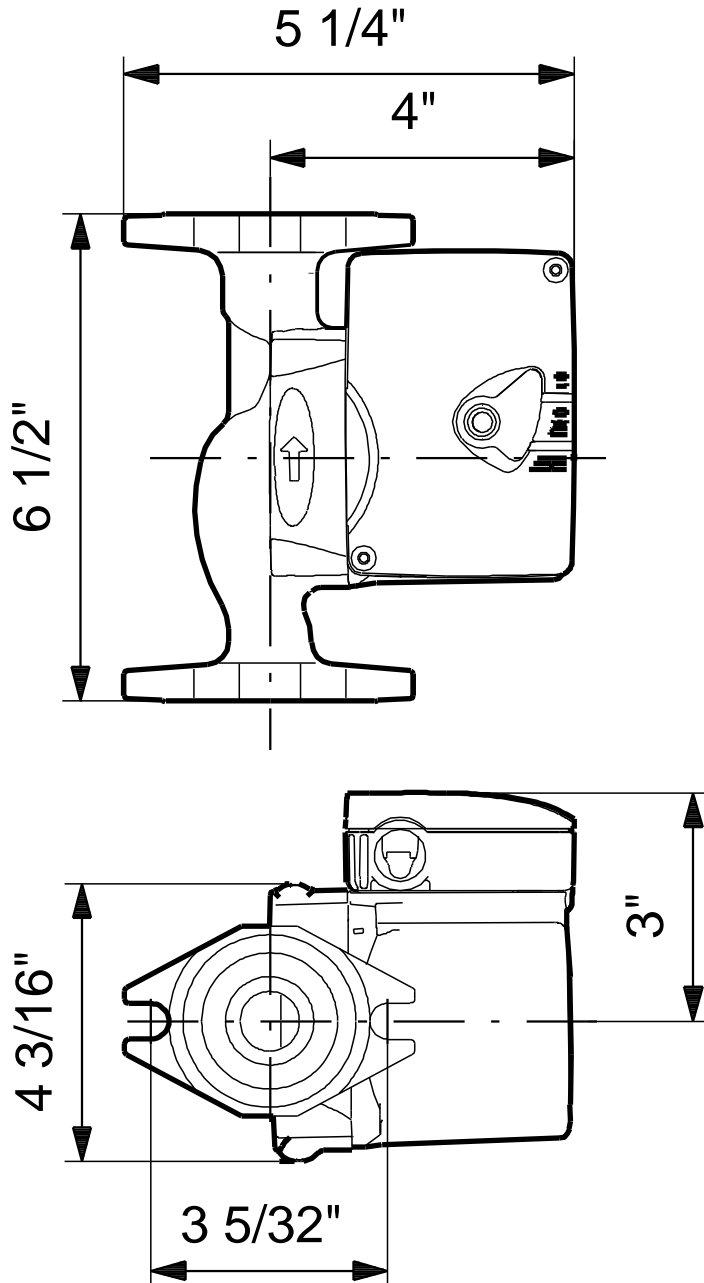


Company name: Hurley Engineering
Created by:
Phone:

Date: 3/23/2020

Description	Value
Country of origin:	US
Custom tariff no.:	8413.70.2005

59896343 UPS 15-58 FRC 60 Hz



Note! All units are in [in] unless otherwise stated.
Disclaimer: This simplified dimensional drawing does not show all details.