

PROJECT:	Criculators	UNIT TAG:	_____	QUANTITY:	1
REPRESENTATIVE:	Hurley Engineering	TYPE OF SERVICE:	Recirculation	DATE:	_____
ENGINEER:	TBD	SUBMITTED BY:	Devin Carle	DATE:	_____
CONTRACTOR:	TBD	APPROVED BY:	_____	DATE:	_____
		ORDER NO.:	_____	DATE:	_____

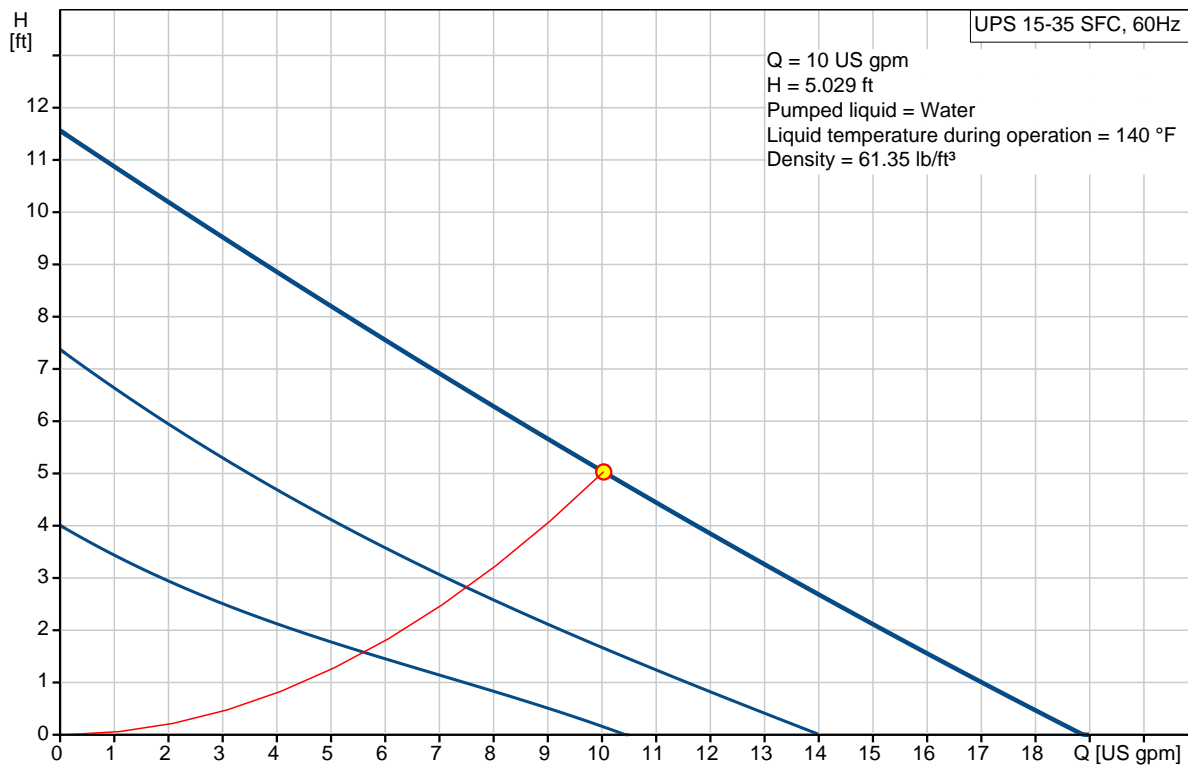


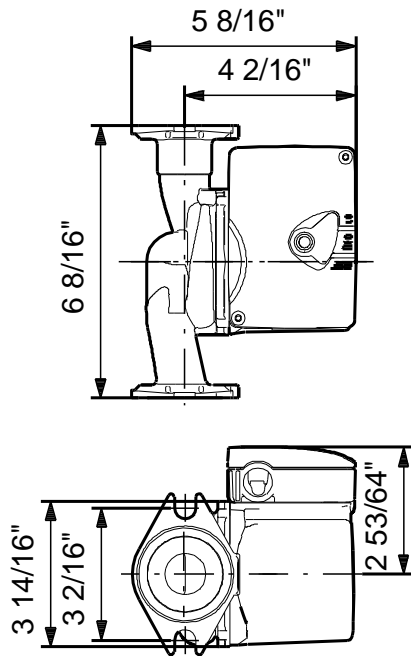
UPS 15-35 SFC

Circulator pumps

Product photo could vary from the actual product

Conditions of Service		Pump Data		Motor Data	
Flow:	10 US gpm	Maximum operating pressure:	145.04 psi	Max. power input:	110 W
Head:	5.029 ft	Liquid temperature range:	35.6 .. 165.2 °F	Rated voltage:	115 V
Efficiency:	_____	Maximum ambient temperature:	104 °F	Main frequency:	60 Hz
Liquid:	Water	Approvals:	UL, CSA	Insulation class:	F
Temperature:	140 °F	Type of connection:	S.S. Flange	Motor protection:	CONTACT
NPSH required:	ft	Flange standard:	USA Oval	Thermal protection:	internal
Viscosity:	_____	Pipe connection:	2 - Bolt Flange		
Specific Gravity:	0.985	Product number:	59896772		






Materials:

Pump housing: Stainless steel
DIN W.-Nr. 1.4301
AISI 304

Impeller: Composite, PES

Count	Description																																		
1	<p data-bbox="288 405 478 436">UPS 15-35 SFC</p> <div data-bbox="327 481 654 739">  </div> <p data-bbox="694 750 1149 779" style="text-align: center;">Product photo could vary from the actual product</p> <p data-bbox="288 784 566 813">Product No.: 59896772</p> <p data-bbox="288 817 821 907">The pump is of the canned rotor type, i.e. pump and motor form an integral unit without shaft seal and with only two gaskets for sealing.</p> <p data-bbox="288 907 845 936">The bearings are lubricated by the pumped liquid.</p> <p data-bbox="288 936 630 965">The pump is characterized by:</p> <ul data-bbox="335 965 885 1115" style="list-style-type: none"> * Ceramic shaft and radial bearings. * Carbon axial bearing. * Stainless steel rotor can and bearing plate. * Corrosion-resistant impeller, Composite, PES. * Stainless steel pump housing. <p data-bbox="288 1142 758 1205">The motor is a 1-phase motor. No additional motor protection is required.</p> <p data-bbox="288 1232 383 1261">Liquid:</p> <table data-bbox="288 1261 837 1384"> <tr> <td>Pumped liquid:</td> <td>Water</td> </tr> <tr> <td>Liquid temperature range:</td> <td>35.6 .. 165.2 °F</td> </tr> <tr> <td>Selected liquid temperature:</td> <td>140 °F</td> </tr> <tr> <td>Density:</td> <td>61.35 lb/ft³</td> </tr> </table> <p data-bbox="288 1411 422 1440">Technical:</p> <table data-bbox="288 1440 790 1529"> <tr> <td>Actual calculated flow:</td> <td>10 US gpm</td> </tr> <tr> <td>Resulting head of the pump:</td> <td>5.029 ft</td> </tr> <tr> <td>Approvals on nameplate:</td> <td>UL, CSA</td> </tr> </table> <p data-bbox="288 1556 414 1585">Materials:</p> <table data-bbox="288 1585 869 1709"> <tr> <td>Pump housing:</td> <td>Stainless steel DIN W.-Nr. 1.4301 AISI 304</td> </tr> <tr> <td>Impeller:</td> <td>Composite, PES</td> </tr> </table> <p data-bbox="288 1736 438 1765">Installation:</p> <table data-bbox="288 1765 829 2004"> <tr> <td>Maximum ambient temperature:</td> <td>104 °F</td> </tr> <tr> <td>Ambient max at 176°F liquid:</td> <td>176 °F</td> </tr> <tr> <td>Maximum operating pressure:</td> <td>145.04 psi</td> </tr> <tr> <td>Flange standard:</td> <td>USA Oval</td> </tr> <tr> <td>Type of connection:</td> <td>S.S. Flange</td> </tr> <tr> <td>Pipe connection:</td> <td>2 - Bolt Flange</td> </tr> <tr> <td>Pressure stage:</td> <td>10</td> </tr> <tr> <td>Port-to-port length:</td> <td>6 1/2 in</td> </tr> </table>	Pumped liquid:	Water	Liquid temperature range:	35.6 .. 165.2 °F	Selected liquid temperature:	140 °F	Density:	61.35 lb/ft³	Actual calculated flow:	10 US gpm	Resulting head of the pump:	5.029 ft	Approvals on nameplate:	UL, CSA	Pump housing:	Stainless steel DIN W.-Nr. 1.4301 AISI 304	Impeller:	Composite, PES	Maximum ambient temperature:	104 °F	Ambient max at 176°F liquid:	176 °F	Maximum operating pressure:	145.04 psi	Flange standard:	USA Oval	Type of connection:	S.S. Flange	Pipe connection:	2 - Bolt Flange	Pressure stage:	10	Port-to-port length:	6 1/2 in
Pumped liquid:	Water																																		
Liquid temperature range:	35.6 .. 165.2 °F																																		
Selected liquid temperature:	140 °F																																		
Density:	61.35 lb/ft³																																		
Actual calculated flow:	10 US gpm																																		
Resulting head of the pump:	5.029 ft																																		
Approvals on nameplate:	UL, CSA																																		
Pump housing:	Stainless steel DIN W.-Nr. 1.4301 AISI 304																																		
Impeller:	Composite, PES																																		
Maximum ambient temperature:	104 °F																																		
Ambient max at 176°F liquid:	176 °F																																		
Maximum operating pressure:	145.04 psi																																		
Flange standard:	USA Oval																																		
Type of connection:	S.S. Flange																																		
Pipe connection:	2 - Bolt Flange																																		
Pressure stage:	10																																		
Port-to-port length:	6 1/2 in																																		



Company name: Hurley Engineering
Created by:
Phone:

Date: 3/23/2020

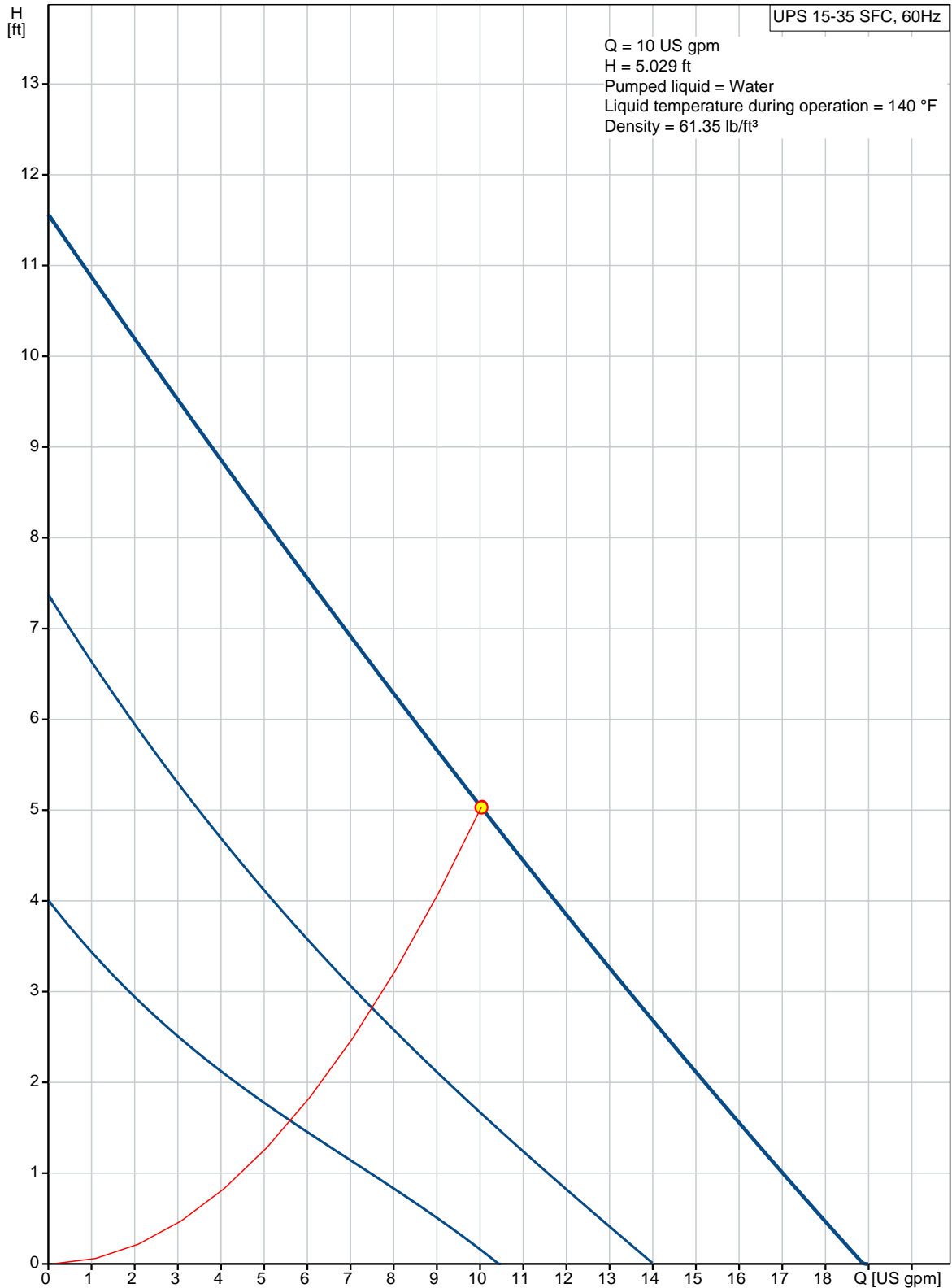
Count	Description
	Electrical data:
	Power input in speed 1: 0.0818 HP
	Power input in speed 2: 84 W
	Max. power input: 110 W
	Main frequency: 60 Hz
	Rated voltage: 1 x 115 V
	Current in speed 1: 0.55 A
	Current in speed 2: 0.75 A
	Current in speed 3: 0.95 A
	Capacitor size - run: 10 μ F/180 V
	Number of poles: 2
	Insulation class (IEC 85): F
	Others:
	Gross weight: 6 lb
	Country of origin: US
	Custom tariff no.: 8413.70.2005



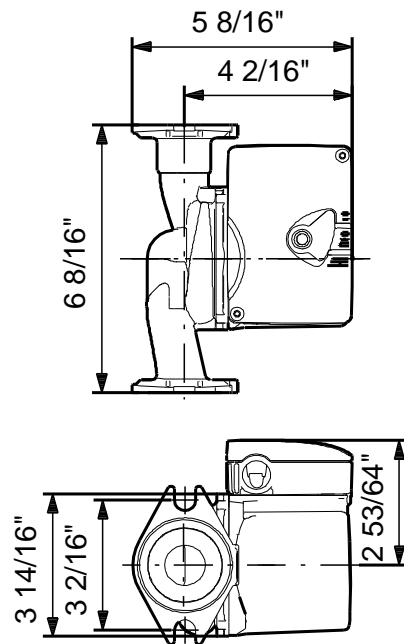
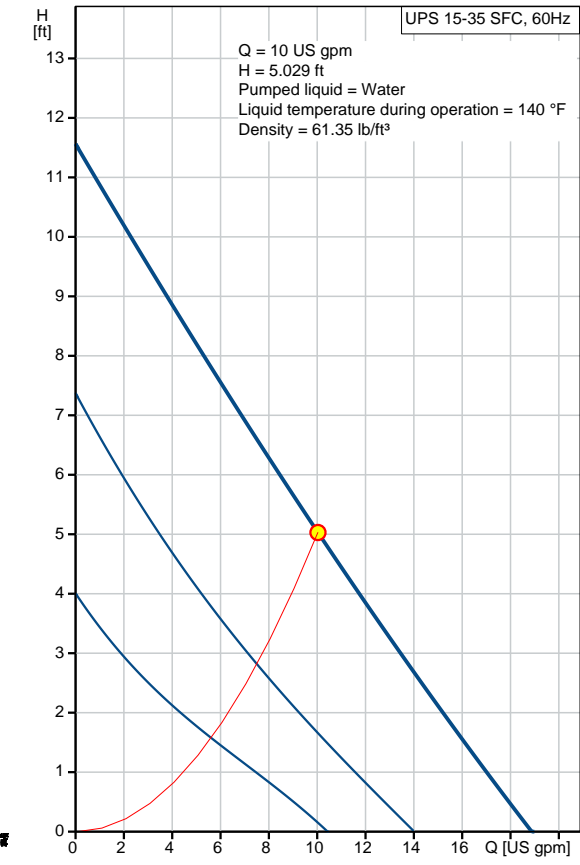
Company name: Hurley Engineering
Created by:
Phone:

Date: 3/23/2020

59896772 UPS 15-35 SFC 60 Hz



Description	Value
General information:	
Product name:	UPS 15-35 SFC
Product No.:	59896772
EAN:	5700837414432
	5700837414432
Technical:	
Speed Number:	3
Actual calculated flow:	10 US gpm
Max flow:	21.6 US gpm
Resulting head of the pump:	5.029 ft
Head max:	12.14 ft
Approvals on nameplate:	UL, CSA
Valve:	pump with built-in isolating and non-return valves
Materials:	
Pump housing:	Stainless steel DIN W.-Nr. 1.4301 AISI 304
Impeller:	Composite, PES
Installation:	
Maximum ambient temperature:	104 °F
Ambient max at 176°F liquid:	176 °F
Maximum operating pressure:	145.04 psi
Flange standard:	USA Oval
Type of connection:	S.S. Flange
Pipe connection:	2 - Bolt Flange
Pressure stage:	10
Port-to-port length:	6 1/2 in
Liquid:	
Pumped liquid:	Water
Liquid temperature range:	35.6 .. 165.2 °F
Selected liquid temperature:	140 °F
Density:	61.35 lb/ft³
Electrical data:	
Power input in speed 1:	0.0818 HP
Power input in speed 2:	84 W
Max. power input:	110 W
Main frequency:	60 Hz
Rated voltage:	1 x 115 V
Current in speed 1:	0.55 A
Current in speed 2:	0.75 A
Current in speed 3:	0.95 A
Capacitor size - run:	10 µF/180 V
Number of poles:	2
Insulation class (IEC 85):	F
Motor protection:	CONTACT
Thermal protec:	internal
Controls:	
Pos term box:	9H
Others:	
Gross weight:	6 lb



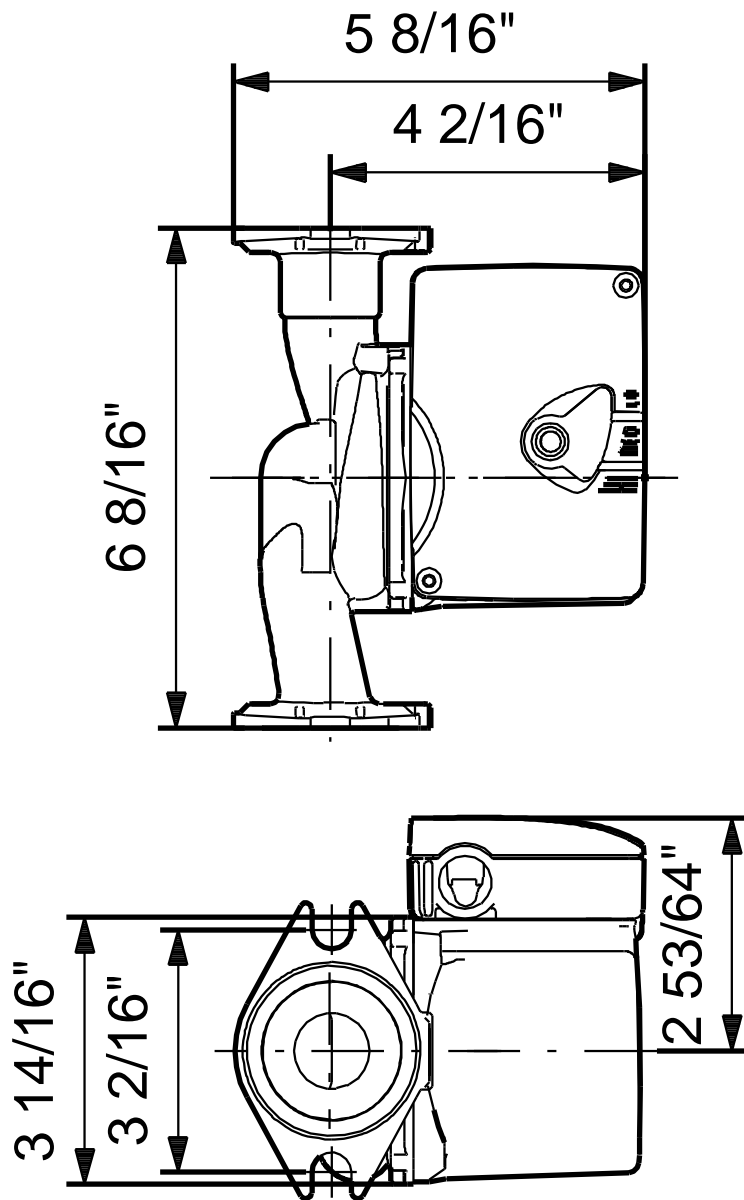


Company name: Hurley Engineering
Created by:
Phone:

Date: 3/23/2020

Description	Value
Country of origin:	US
Custom tariff no.:	8413.70.2005

59896772 UPS 15-35 SFC 60 Hz



Note! All units are in [in] unless otherwise stated.
Disclaimer: This simplified dimensional drawing does not show all details.