

PROJECT:	Criculators	UNIT TAG:	_____	QUANTITY:	1
REPRESENTATIVE:	Hurley Engineering	TYPE OF SERVICE:	Recirculation	DATE:	_____
ENGINEER:	TBD	SUBMITTED BY:	Devin Carle	DATE:	_____
CONTRACTOR:	TBD	APPROVED BY:	_____	DATE:	_____
		ORDER NO.:	_____	DATE:	_____

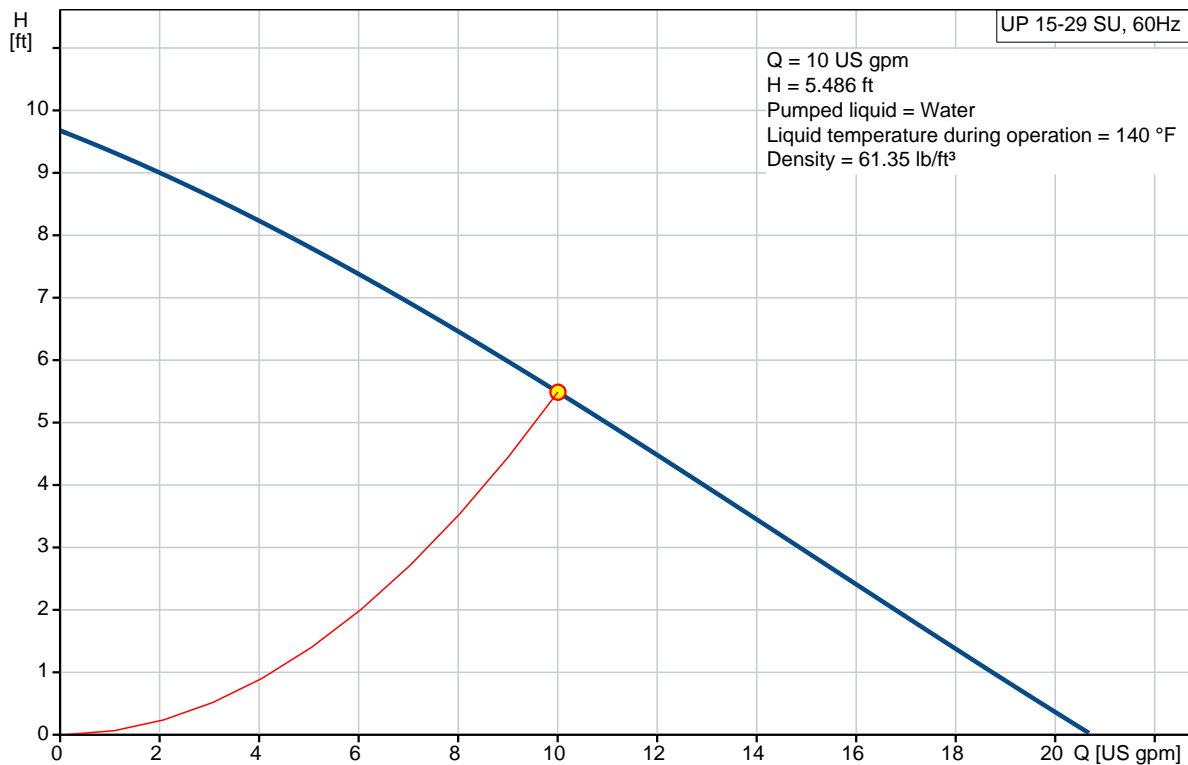


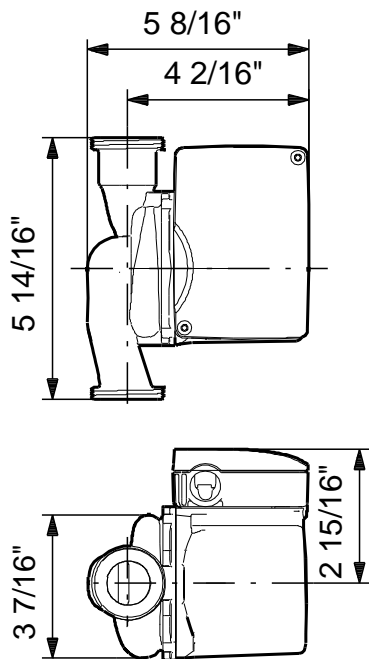
### UP 15-29 SU

Circulator pumps

Product photo could vary from the actual product

Conditions of Service		Pump Data		Motor Data	
Flow:	10 US gpm	Maximum operating pressure:	145.04 psi	Max. power input:	97 W
Head:	5.486 ft	Liquid temperature range:	35.6 .. 230 °F	Rated voltage:	230 V
Efficiency:	_____	Maximum ambient temperature:	104 °F	Main frequency:	60 Hz
Liquid:	Water	Approvals:	UL, CSA	Insulation class:	F
Temperature:	140 °F	Type of connection:	S.S. Union	Motor protection:	CONTACT
NPSH required:	ft	Flange standard:	USA Threaded	Thermal protection:	internal
Viscosity:	_____	Pipe connection:	1 1/4" NPSM		
Specific Gravity:	0.985	Product number:	59896784		






**Materials:**

Pump housing: Stainless steel  
DIN W.-Nr. 1.4301  
AISI 304

Impeller: Composite, PES

Count	Description																																		
1	<p data-bbox="288 405 448 439"><b>UP 15-29 SU</b></p> <div data-bbox="325 488 655 741">  </div> <p data-bbox="692 757 1150 779" style="text-align: center;">Product photo could vary from the actual product</p> <p data-bbox="288 786 568 808">Product No.: <a href="#">59896784</a></p> <p data-bbox="288 817 823 904">The pump is of the canned rotor type, i.e. pump and motor form an integral unit without shaft seal and with only two gaskets for sealing.</p> <p data-bbox="288 907 847 936">The bearings are lubricated by the pumped liquid.</p> <p data-bbox="288 938 635 965">The pump is characterized by:</p> <ul data-bbox="336 967 884 1115" style="list-style-type: none"> <li>* Ceramic shaft and radial bearings.</li> <li>* Carbon axial bearing.</li> <li>* Stainless steel rotor can and bearing plate.</li> <li>* Corrosion-resistant impeller, Composite, PES.</li> <li>* Stainless steel pump housing.</li> </ul> <p data-bbox="288 1144 762 1202">The motor is a 1-phase motor.                      No additional motor protection is required.</p> <p data-bbox="288 1234 384 1261"><b>Liquid:</b></p> <table data-bbox="288 1263 815 1384"> <tr> <td>Pumped liquid:</td> <td>Water</td> </tr> <tr> <td>Liquid temperature range:</td> <td>35.6 .. 230 °F</td> </tr> <tr> <td>Selected liquid temperature:</td> <td>140 °F</td> </tr> <tr> <td>Density:</td> <td>61.35 lb/ft³</td> </tr> </table> <p data-bbox="288 1413 427 1440"><b>Technical:</b></p> <table data-bbox="288 1442 791 1529"> <tr> <td>Actual calculated flow:</td> <td>10 US gpm</td> </tr> <tr> <td>Resulting head of the pump:</td> <td>5.486 ft</td> </tr> <tr> <td>Approvals on nameplate:</td> <td>UL, CSA</td> </tr> </table> <p data-bbox="288 1561 419 1588"><b>Materials:</b></p> <table data-bbox="288 1590 868 1709"> <tr> <td>Pump housing:</td> <td>Stainless steel DIN W.-Nr. 1.4301 AISI 304</td> </tr> <tr> <td>Impeller:</td> <td>Composite, PES</td> </tr> </table> <p data-bbox="288 1740 443 1767"><b>Installation:</b></p> <table data-bbox="288 1769 831 2007"> <tr> <td>Maximum ambient temperature:</td> <td>104 °F</td> </tr> <tr> <td>Ambient max at 176°F liquid:</td> <td>176 °F</td> </tr> <tr> <td>Maximum operating pressure:</td> <td>145.04 psi</td> </tr> <tr> <td>Flange standard:</td> <td>USA Threaded</td> </tr> <tr> <td>Type of connection:</td> <td>S.S. Union</td> </tr> <tr> <td>Pipe connection:</td> <td>1 1/4" NPSM</td> </tr> <tr> <td>Pressure stage:</td> <td>10</td> </tr> <tr> <td>Port-to-port length:</td> <td>5 7/8 in</td> </tr> </table>	Pumped liquid:	Water	Liquid temperature range:	35.6 .. 230 °F	Selected liquid temperature:	140 °F	Density:	61.35 lb/ft³	Actual calculated flow:	10 US gpm	Resulting head of the pump:	5.486 ft	Approvals on nameplate:	UL, CSA	Pump housing:	Stainless steel DIN W.-Nr. 1.4301 AISI 304	Impeller:	Composite, PES	Maximum ambient temperature:	104 °F	Ambient max at 176°F liquid:	176 °F	Maximum operating pressure:	145.04 psi	Flange standard:	USA Threaded	Type of connection:	S.S. Union	Pipe connection:	1 1/4" NPSM	Pressure stage:	10	Port-to-port length:	5 7/8 in
Pumped liquid:	Water																																		
Liquid temperature range:	35.6 .. 230 °F																																		
Selected liquid temperature:	140 °F																																		
Density:	61.35 lb/ft³																																		
Actual calculated flow:	10 US gpm																																		
Resulting head of the pump:	5.486 ft																																		
Approvals on nameplate:	UL, CSA																																		
Pump housing:	Stainless steel DIN W.-Nr. 1.4301 AISI 304																																		
Impeller:	Composite, PES																																		
Maximum ambient temperature:	104 °F																																		
Ambient max at 176°F liquid:	176 °F																																		
Maximum operating pressure:	145.04 psi																																		
Flange standard:	USA Threaded																																		
Type of connection:	S.S. Union																																		
Pipe connection:	1 1/4" NPSM																																		
Pressure stage:	10																																		
Port-to-port length:	5 7/8 in																																		



Company name: Hurley Engineering  
Created by:  
Phone:

Date: 3/23/2020

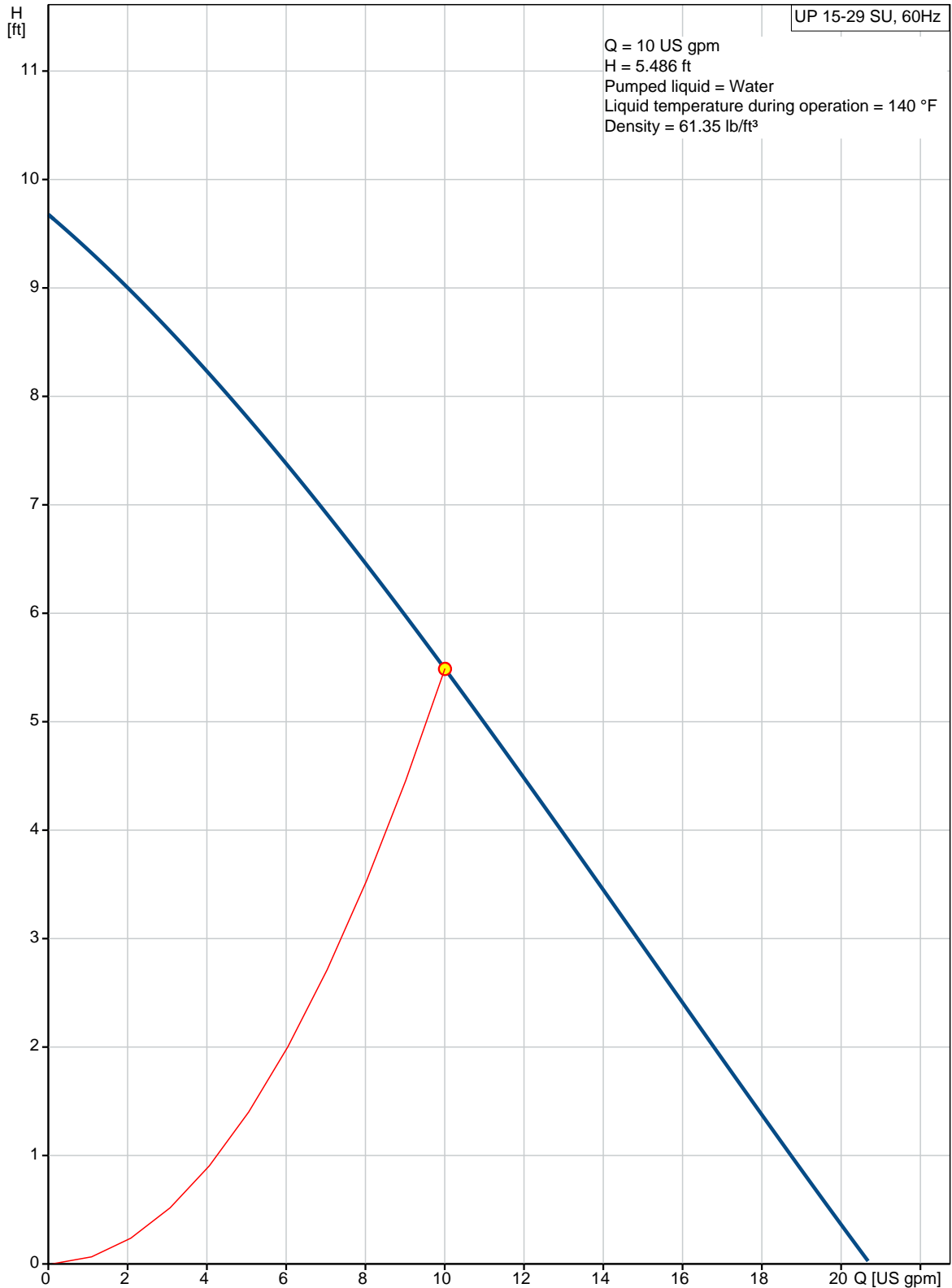
Count	Description
	<b>Electrical data:</b> Max. power input: 97 W Main frequency: 60 Hz Rated voltage: 1 x 230 V Current in speed 3: 0.42 A Capacitor size - run: 2 µF/400 V Number of poles: 2 Insulation class (IEC 85): F
	<b>Others:</b> Gross weight: 5.4 lb Country of origin: US Custom tariff no.: 8413.70.2005



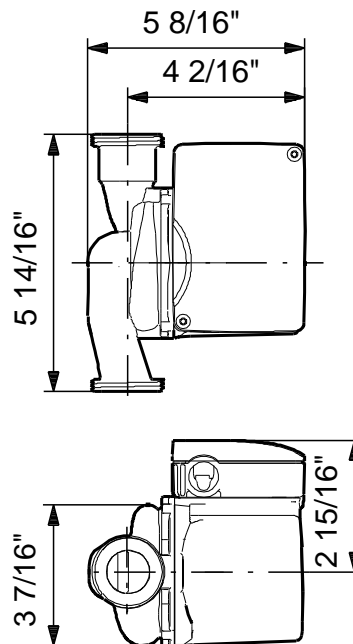
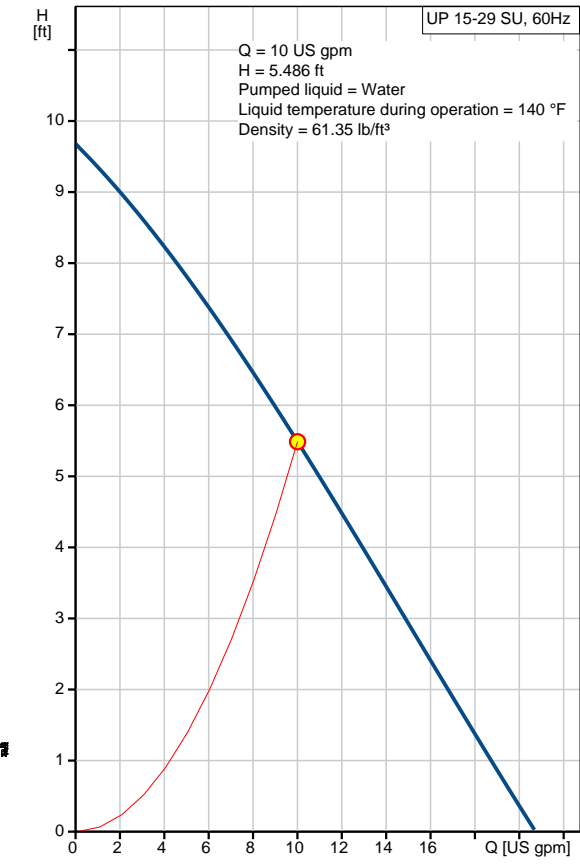
Company name: Hurley Engineering  
Created by:  
Phone:

Date: 3/23/2020

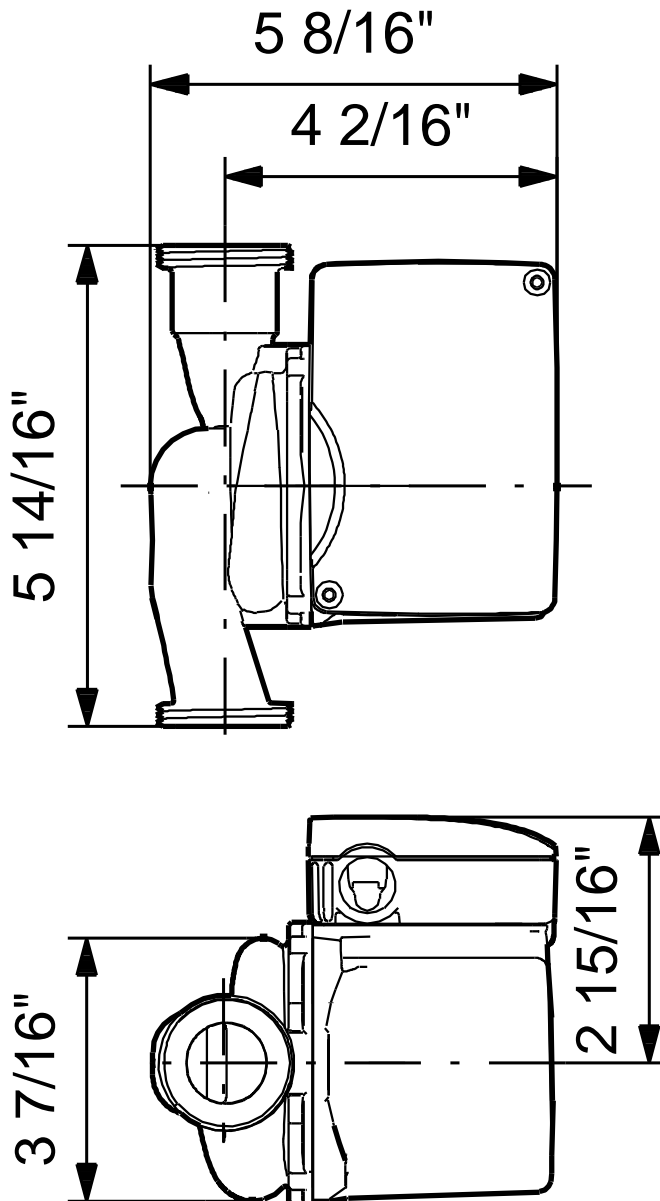
### 59896784 UP 15-29 SU 60 Hz



Description	Value
<b>General information:</b>	
Product name:	UP 15-29 SU
Product No.:	59896784
EAN:	5700837428163
	5700837428163
<b>Technical:</b>	
Speed Number:	1
Actual calculated flow:	10 US gpm
Max flow:	20.7 US gpm
Resulting head of the pump:	5.486 ft
Head max:	9.843 ft
Approvals on nameplate:	UL, CSA
<b>Materials:</b>	
Pump housing:	Stainless steel DIN W.-Nr. 1.4301 AISI 304
Impeller:	Composite, PES
<b>Installation:</b>	
Maximum ambient temperature:	104 °F
Ambient max at 176°F liquid:	176 °F
Maximum operating pressure:	145.04 psi
Flange standard:	USA Threaded
Type of connection:	S.S. Union
Pipe connection:	1 1/4" NPSM
Pressure stage:	10
Port-to-port length:	5 7/8 in
<b>Liquid:</b>	
Pumped liquid:	Water
Liquid temperature range:	35.6 .. 230 °F
Selected liquid temperature:	140 °F
Density:	61.35 lb/ft³
<b>Electrical data:</b>	
Max. power input:	97 W
Main frequency:	60 Hz
Rated voltage:	1 x 230 V
Current in speed 3:	0.42 A
Capacitor size - run:	2 µF/400 V
Number of poles:	2
Insulation class (IEC 85):	F
Motor protection:	CONTACT
Thermal protec:	internal
<b>Controls:</b>	
Pos term box:	9H
<b>Others:</b>	
Gross weight:	5.4 lb
Country of origin:	US
Custom tariff no.:	8413.70.2005



**59896784 UP 15-29 SU 60 Hz**



Note! All units are in [in] unless otherwise stated.  
Disclaimer: This simplified dimensional drawing does not show all details.