

PROJECT:	Criculators	UNIT TAG:	_____	QUANTITY:	1
REPRESENTATIVE:	Hurley Engineering	TYPE OF SERVICE:	Recirculation	DATE:	_____
ENGINEER:	TBD	SUBMITTED BY:	Devin Carle	DATE:	_____
CONTRACTOR:	TBD	APPROVED BY:	_____	DATE:	_____
		ORDER NO.:	_____	DATE:	_____

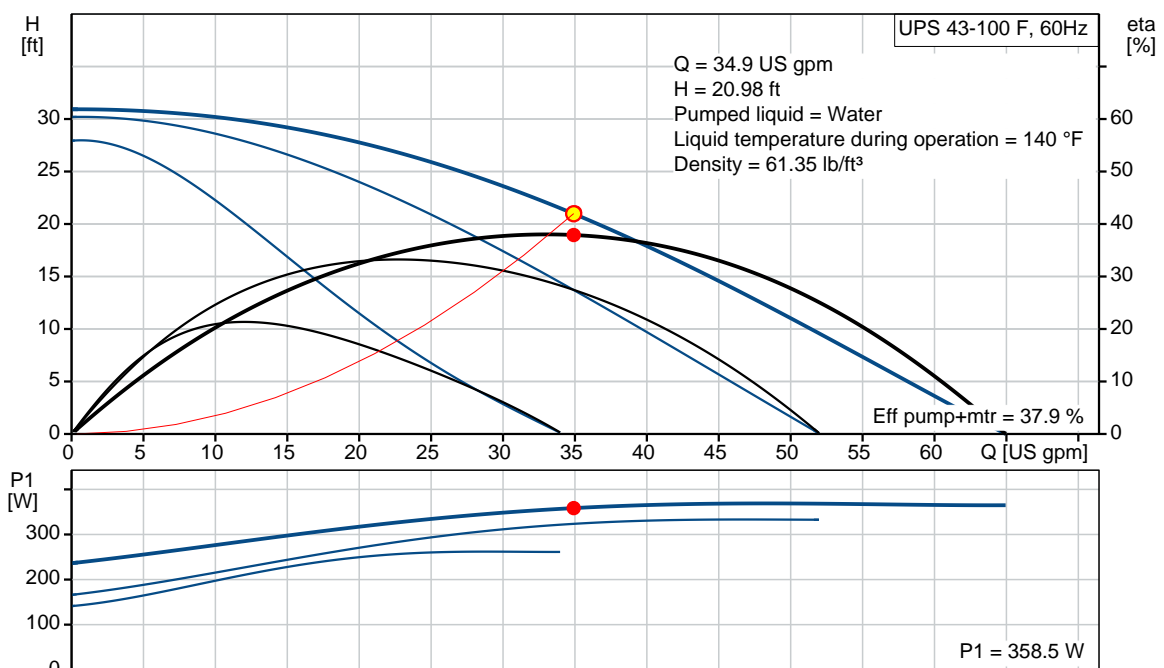


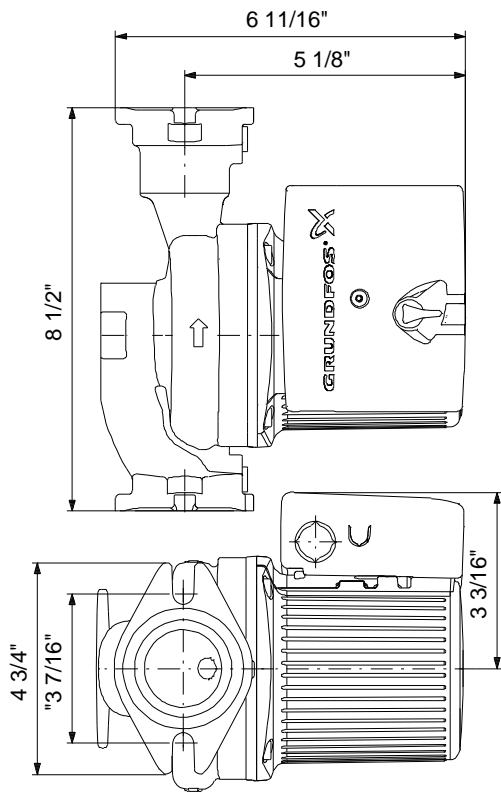
### UPS 43-100 F

Circulator pumps

Product photo could vary from the actual product

Conditions of Service		Pump Data		Motor Data	
Flow:	34.9 US gpm	Maximum operating pressure:	145.04 psi	Max. power input:	370 W
Head:	20.98 ft	Liquid temperature range:	32 .. 230 °F	Rated voltage:	115 V
Efficiency:	37.9 %	Maximum ambient temperature:	104 °F	Main frequency:	60 Hz
Liquid:	Water	Approvals:	ETL, CSA	Insulation class:	H
Temperature:	140 °F	Type of connection:	C.I. Flange	Motor protection:	CONTACT
NPSH required:	ft	Flange standard:	USA Oval	Thermal protection:	internal
Viscosity:	_____	Pipe connection:	2 - Bolt Flange		
Specific Gravity:	0.985	Product number:	95906636		





**Materials:**

Pump housing: Cast iron

EN-GJL-200

Impeller:

Composite, PES

Count	Description
-------	-------------

1	UPS 43-100 F
---	--------------



Product photo could vary from the actual product

Product No.: [95906636](#)

The pump is of the canned rotor type, i.e. pump and motor form an integral unit without shaft seal and with only two gaskets for sealing. The bearings are lubricated by the pumped liquid.

The pump is characterized by:

- \* Ceramic shaft and radial bearings.
- \* Carbon axial bearing.
- \* Stainless steel rotor can and bearing plate.
- \* Corrosion-resistant impeller, Composite, PES.
- \* Cast iron pump housing.

The motor is a 1-phase motor.

No additional motor protection is required.

**Liquid:**

Pumped liquid:	Water
Liquid temperature range:	32 .. 230 °F
Selected liquid temperature:	140 °F
Density:	61.35 lb/ft <sup>3</sup>

**Technical:**

Actual calculated flow:	34.9 US gpm
Resulting head of the pump:	20.98 ft
Approvals on nameplate:	ETL, CSA

**Materials:**

Pump housing:	Cast iron
	EN-GJL-200
Impeller:	Composite, PES

**Installation:**

Maximum ambient temperature:	104 °F
Ambient max at 176°F liquid:	176 °F
Maximum operating pressure:	145.04 psi
Flange standard:	USA Oval
Type of connection:	C.I. Flange
Pipe connection:	2 - Bolt Flange
Pressure stage:	10



Company name: Hurley Engineering  
Created by:  
Phone:

Date: 3/23/2020

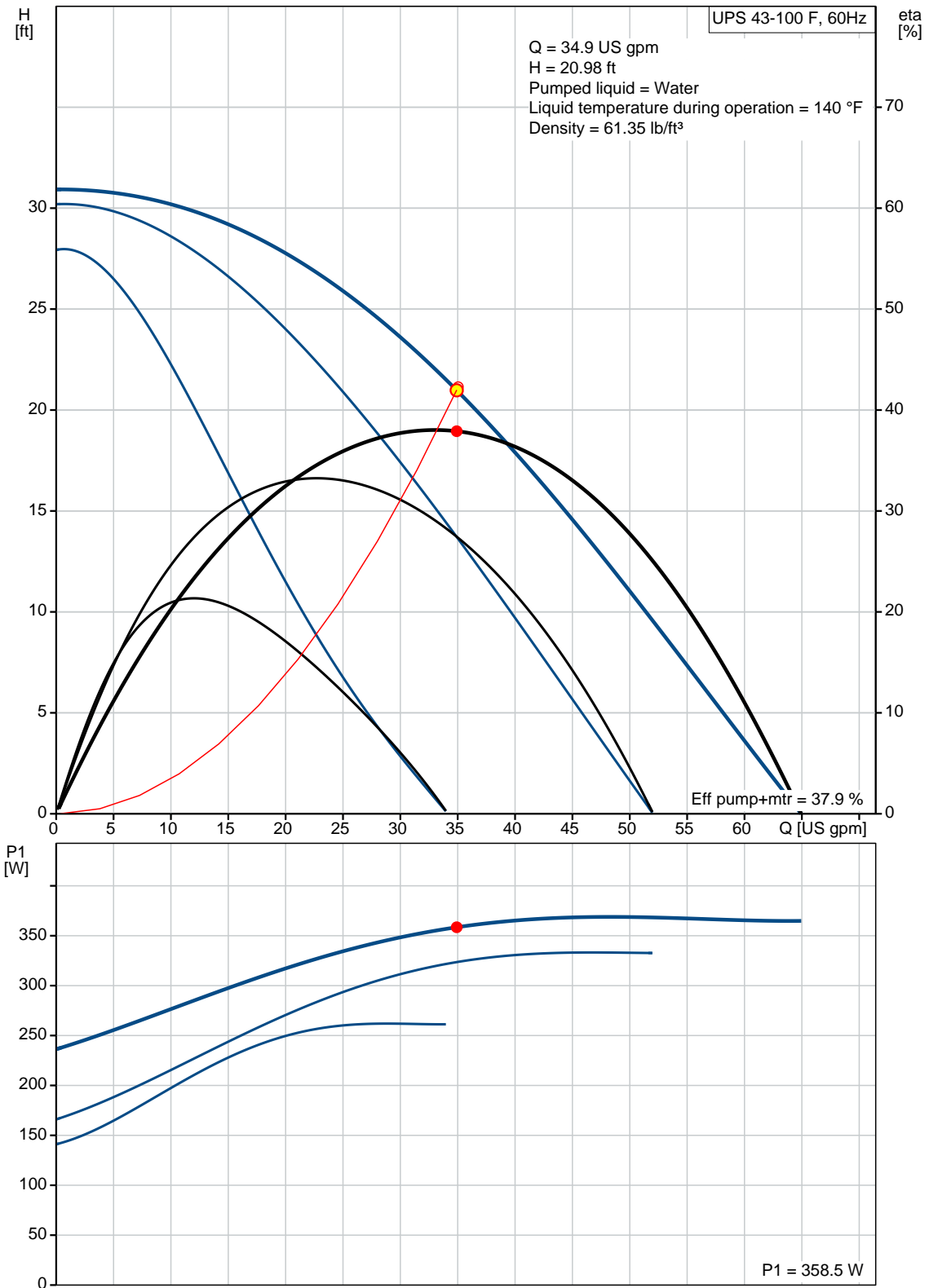
Count	Description
	Port-to-port length: 8 1/2 in
	<b>Electrical data:</b>
	Power input in speed 1: 0.3554 HP
	Power input in speed 2: 335 W
	Max. power input: 370 W
	Main frequency: 60 Hz
	Rated voltage: 1 x 115 V
	Current in speed 1: 2.5 A
	Current in speed 2: 3.1 A
	Current in speed 3: 3.5 A
	Capacitor size - run: 40 µF/180 V
	Number of poles: 2
	Insulation class (IEC 85): H
	<b>Others:</b>
	Gross weight: 18.5 lb
	Country of origin: US
	Custom tariff no.: 8413.70.2005



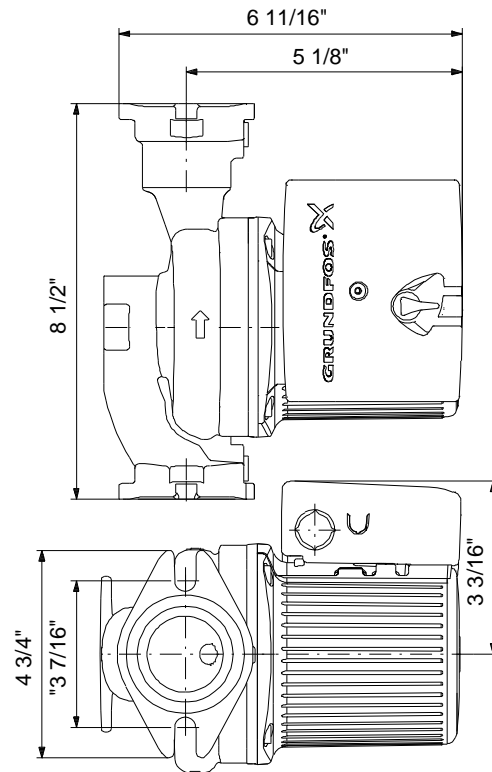
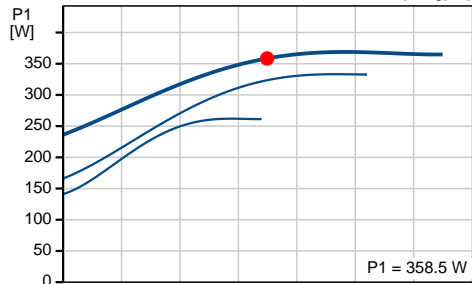
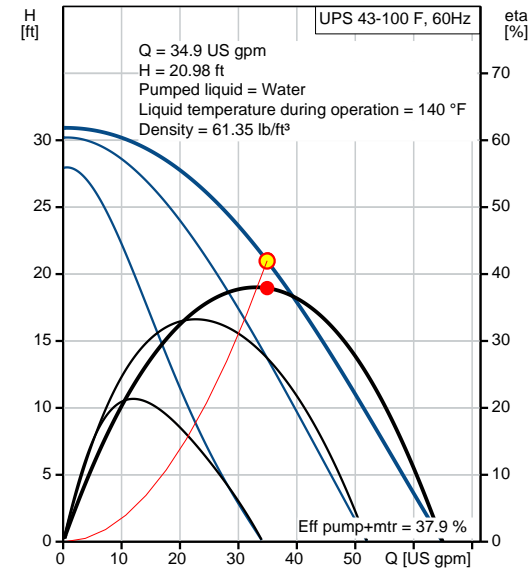
Company name: Hurley Engineering  
Created by:  
Phone:

Date: 3/23/2020

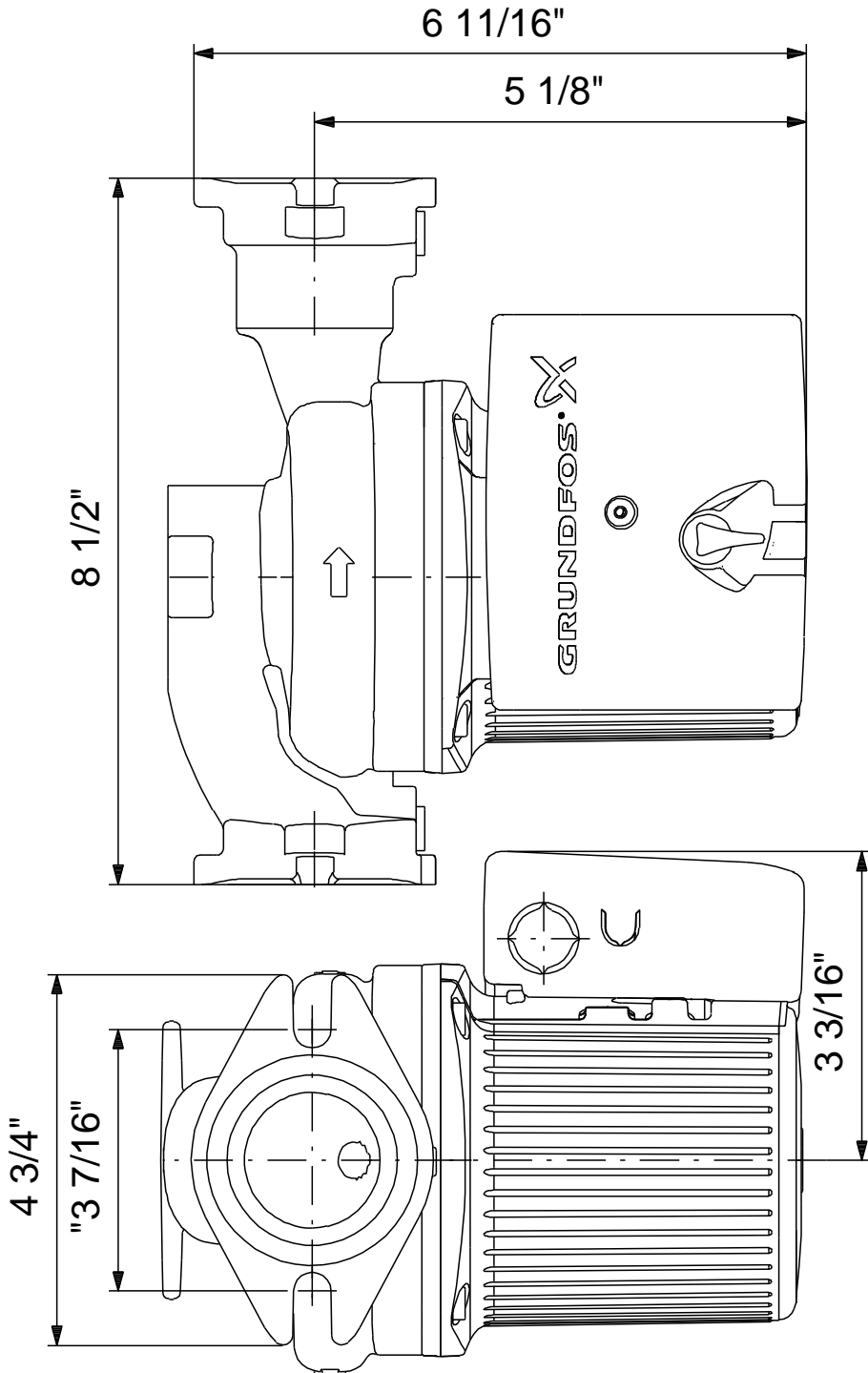
### 95906636 UPS 43-100 F 60 Hz



Description	Value
<b>General information:</b>	
Product name:	UPS 43-100 F
Product No.:	95906636
EAN:	5700313291748
	5700313291748
<b>Technical:</b>	
Speed Number:	3
Actual calculated flow:	34.9 US gpm
Max flow:	65 US gpm
Resulting head of the pump:	20.98 ft
Head max:	30.84 ft
Approvals on nameplate:	ETL, CSA
<b>Materials:</b>	
Pump housing:	Cast iron EN-GJL-200
Impeller:	Composite, PES
<b>Installation:</b>	
Maximum ambient temperature:	104 °F
Ambient max at 176°F liquid:	176 °F
Maximum operating pressure:	145.04 psi
Flange standard:	USA Oval
Type of connection:	C.I. Flange
Pipe connection:	2 - Bolt Flange
Pressure stage:	10
Port-to-port length:	8 1/2 in
<b>Liquid:</b>	
Pumped liquid:	Water
Liquid temperature range:	32 .. 230 °F
Selected liquid temperature:	140 °F
Density:	61.35 lb/ft³
<b>Electrical data:</b>	
Power input in speed 1:	0.3554 HP
Power input in speed 2:	335 W
Max. power input:	370 W
Main frequency:	60 Hz
Rated voltage:	1 x 115 V
Current in speed 1:	2.5 A
Current in speed 2:	3.1 A
Current in speed 3:	3.5 A
Capacitor size - run:	40 µF/180 V
Number of poles:	2
Insulation class (IEC 85):	H
Motor protection:	CONTACT
Thermal protec:	internal
<b>Controls:</b>	
Pos term box:	9H
<b>Others:</b>	
Gross weight:	18.5 lb
Country of origin:	US
Custom tariff no.:	8413.70.2005



## 95906636 UPS 43-100 F 60 Hz



Note! All units are in [in] unless otherwise stated.  
Disclaimer: This simplified dimensional drawing does not show all details.