

PROJECT:	Criculators	UNIT TAG:	_____	QUANTITY:	1
REPRESENTATIVE:	Hurley Engineering	TYPE OF SERVICE:	Recirculation	DATE:	_____
ENGINEER:	TBD	SUBMITTED BY:	Devin Carle	DATE:	_____
CONTRACTOR:	TBD	APPROVED BY:	_____	DATE:	_____
		ORDER NO.:	_____	DATE:	_____

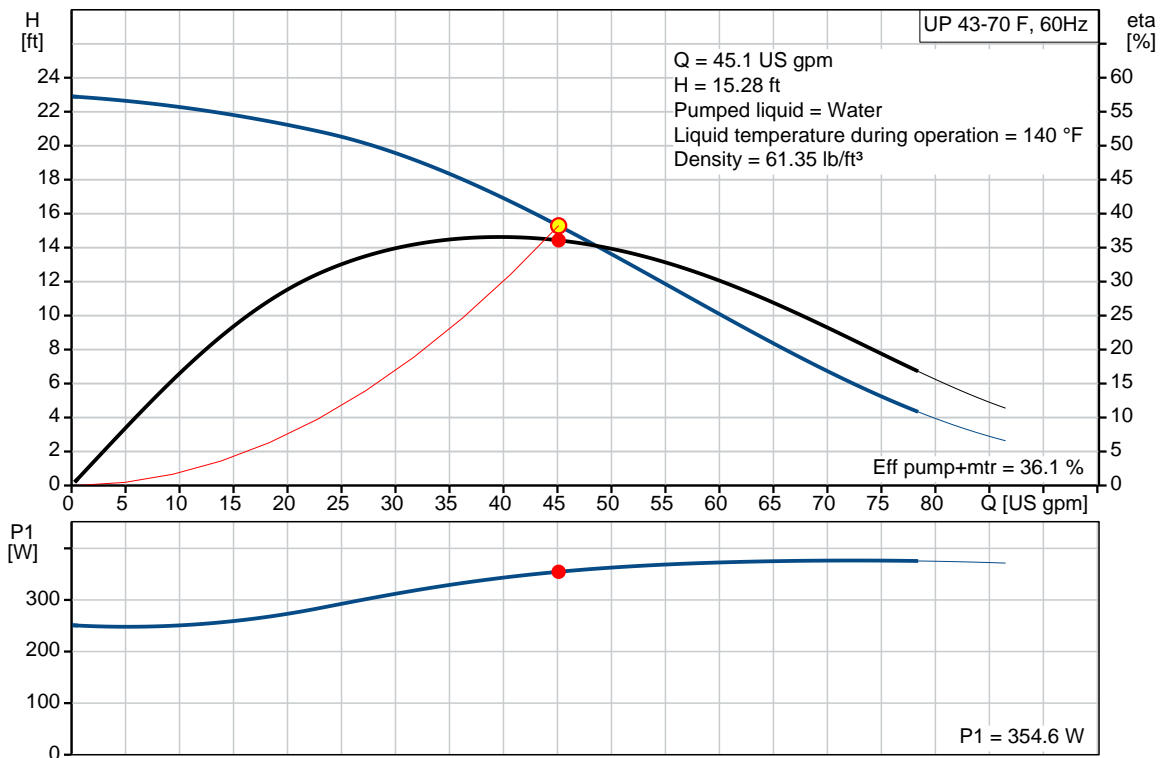


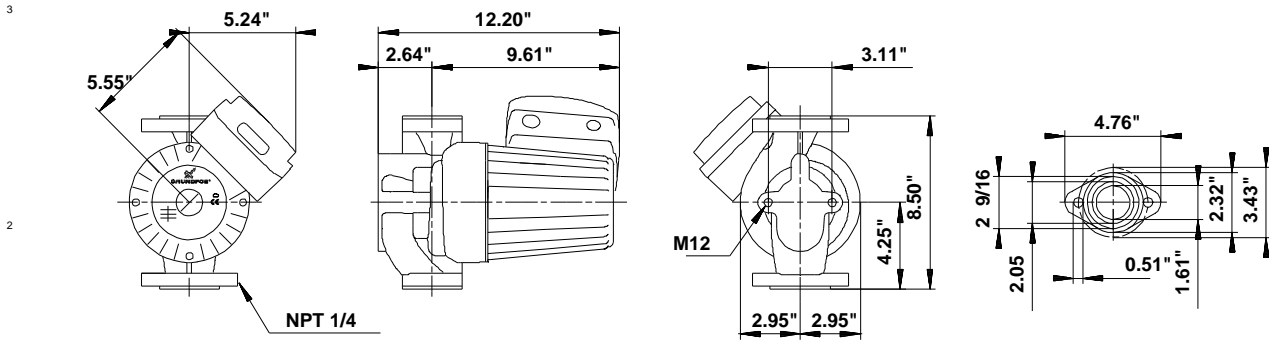
### UP 43-70 F

Circulator pumps

Product photo could vary from the actual product

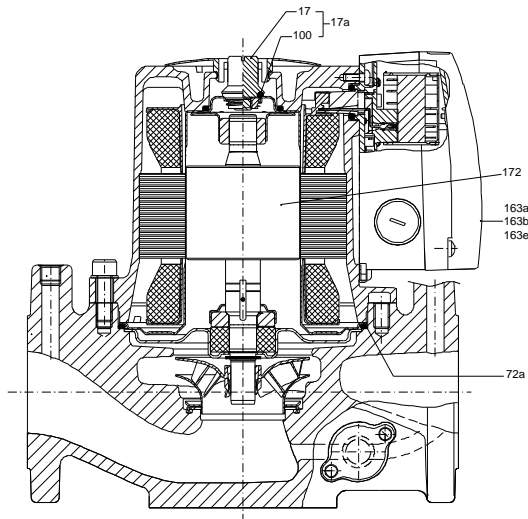
Conditions of Service		Pump Data		Motor Data	
Flow:	45.1 US gpm	Maximum operating pressure:	124.73 psi	Max. power input:	400 W
Head:	15.28 ft	Liquid temperature range:	14 .. 230 °F	Rated voltage:	115/230 V
Efficiency:	36.1 %	Maximum ambient temperature:	104 °F	Main frequency:	60 Hz
Liquid:	Water	Approvals:	UL,CUL	Enclosure class:	X4D
Temperature:	140 °F	Type of connection:	F	Insulation class:	F
NPSH required:	ft	Flange standard:	USA	Motor protection:	CONTACT
Viscosity:	_____	Pipe connection:	GF 40/43	Thermal protection:	internal
Specific Gravity:	0.985	Product number:	96439644		





**Materials:**

- Pump housing: Cast iron  
EN-JL1040
- ASTM 35 B - 40 B
- Impeller: Stainless steel  
DIN W.-Nr. 1.4301  
AISI 304



Count	Description
1	<p data-bbox="287 403 430 436"><b>UP 43-70 F</b></p> <div data-bbox="363 454 619 775" data-label="Image"> </div> <p data-bbox="694 757 1149 784">Product photo could vary from the actual product</p> <p data-bbox="287 788 566 815">Product No.: <a href="#">96439644</a></p> <p data-bbox="287 819 829 936">The pump is of the canned rotor type, i.e. pump and motor form an integral unit without shaft seal and with only two gaskets for sealing. The bearings are lubricated by the pumped liquid.</p> <p data-bbox="287 967 829 1057">In order to avoid problems in connection with disposal, great importance has been attached to using as few different materials as possible.</p> <p data-bbox="287 1088 630 1115">The pump is characterized by:</p> <ul data-bbox="335 1115 798 1355" style="list-style-type: none"> <li>* 1 speed motor.</li> <li>* Ceramic radial bearings.</li> <li>* Carbon axial bearing.</li> <li>* Stainless steel rotor can, bearing plate and rotor cladding.</li> <li>* Aluminium alloy stator housing.</li> <li>* Cast iron pump housing.</li> <li>* Stator with built-in thermal switch.</li> </ul> <p data-bbox="287 1386 630 1413">The motor is a 1-phase motor.</p> <p data-bbox="287 1444 813 1561">The pump is supplied with a standard module in the terminal box. The standard module is to be connected to the mains supply via external contactor.</p> <p data-bbox="287 1592 414 1619"><b>Controls:</b></p> <p data-bbox="287 1624 805 1650">Relay: without relay</p> <p data-bbox="287 1682 383 1709"><b>Liquid:</b></p> <p data-bbox="287 1713 790 1830">Pumped liquid: Water          Liquid temperature range: 14 .. 230 °F          Selected liquid temperature: 140 °F          Density: 61.35 lb/ft³</p> <p data-bbox="287 1861 422 1888"><b>Technical:</b></p> <p data-bbox="287 1892 805 1982">Actual calculated flow: 45.1 US gpm          Resulting head of the pump: 15.28 ft          Approvals on nameplate: UL,CUL</p> <p data-bbox="287 2013 414 2040"><b>Materials:</b></p>



Company name: Hurley Engineering  
Created by:  
Phone:

Date: 3/23/2020

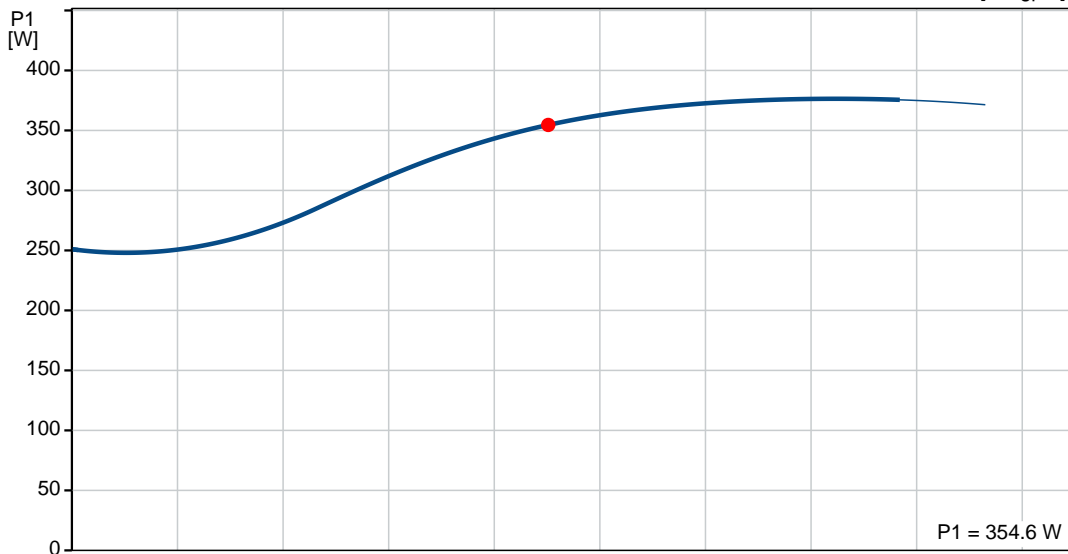
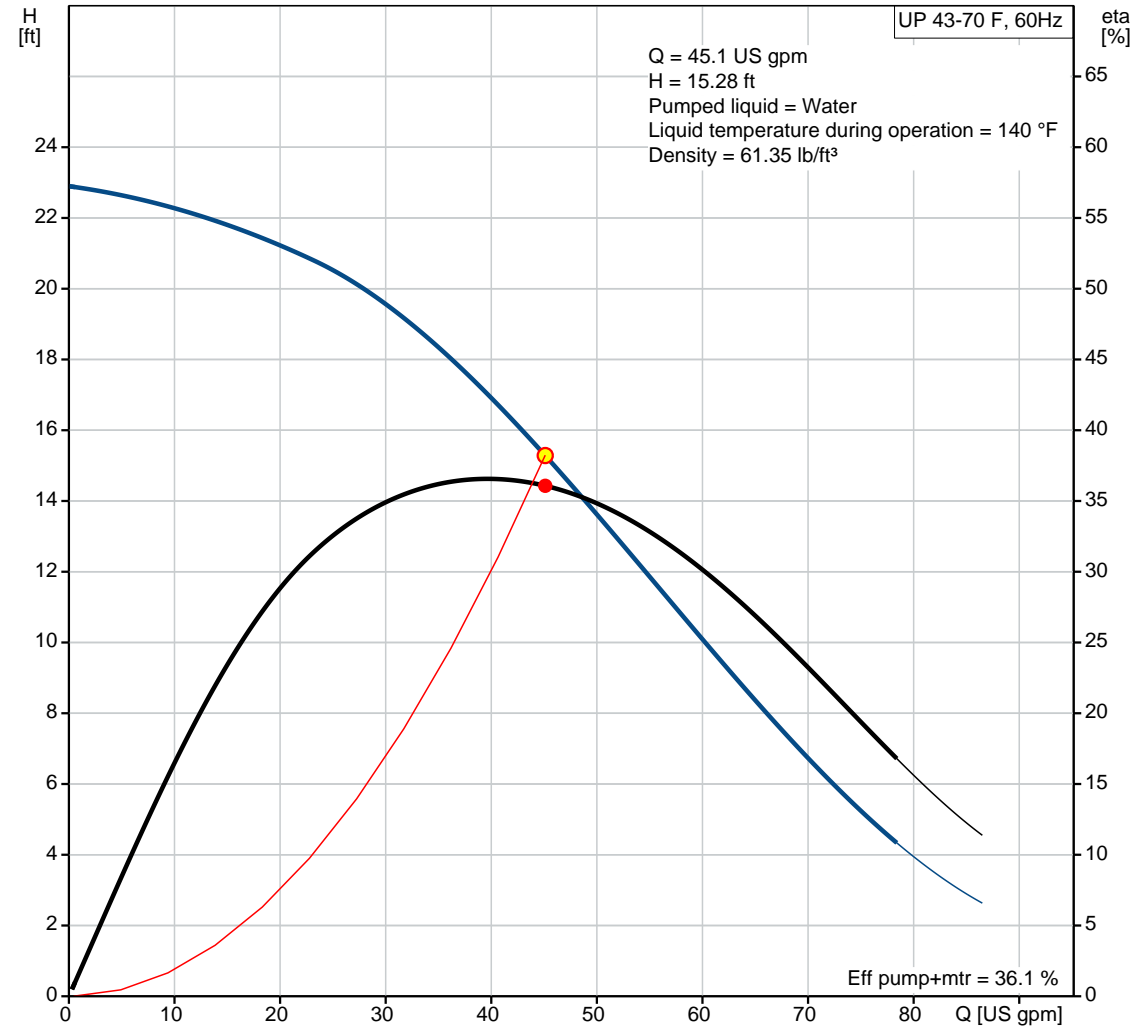
Count	Description
	Pump housing: Cast iron EN-JL1040 ASTM 35 B - 40 B
	Impeller: Stainless steel DIN W.-Nr. 1.4301 AISI 304
	<b>Installation:</b> Maximum ambient temperature: 104 °F Maximum operating pressure: 124.73 psi Flange standard: USA Type of connection: F Pipe connection: GF 40/43 Pressure stage: 125 psi Port-to-port length: 8 9/16 in
	<b>Electrical data:</b> Max. power input: 400 W Main frequency: 60 Hz Rated voltage: 1 x 115/230 V Current in speed 3: 3.4/1.8 A Cos phi: 0.95 Capacitor size - run: 30 µF/400 V Enclosure class (IEC 34-5): X4D Insulation class (IEC 85): F
	<b>Others:</b> Net weight: 33.1 lb Gross weight: 40.6 lb Shipping volume: 1.02 ft <sup>3</sup> Country of origin: RS Custom tariff no.: 8413.70.2005



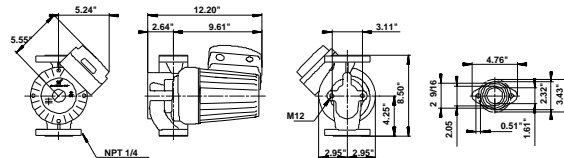
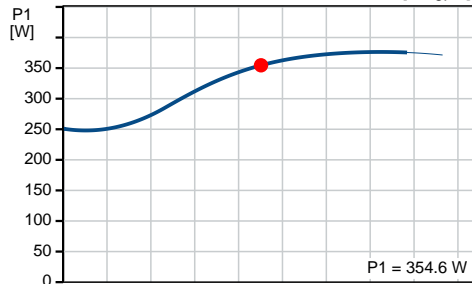
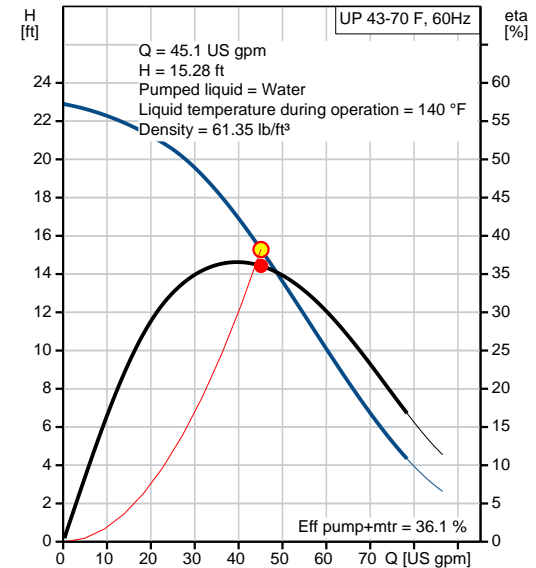
Company name: Hurley Engineering  
Created by:  
Phone:

Date: 3/23/2020

### 96439644 UP 43-70 F 60 Hz



Description	Value
<b>General information:</b>	
Product name:	UP 43-70 F
Product No.:	96439644
EAN:	5700393918573 5700393918573
<b>Technical:</b>	
Speed Number:	1
Actual calculated flow:	45.1 US gpm
Resulting head of the pump:	15.28 ft
Head max:	22.97 ft
Approvals on nameplate:	UL,CUL
Model:	A
<b>Materials:</b>	
Pump housing:	Cast iron EN-JL1040 ASTM 35 B - 40 B
Impeller:	Stainless steel DIN W.-Nr. 1.4301 AISI 304
<b>Installation:</b>	
Maximum ambient temperature:	104 °F
Maximum operating pressure:	124.73 psi
Flange standard:	USA
Type of connection:	F
Pipe connection:	GF 40/43
Pressure stage:	125 psi
Port-to-port length:	8 9/16 in
<b>Liquid:</b>	
Pumped liquid:	Water
Liquid temperature range:	14 .. 230 °F
Selected liquid temperature:	140 °F
Density:	61.35 lb/ft <sup>3</sup>
<b>Electrical data:</b>	
Max. power input:	400 W
Main frequency:	60 Hz
Rated voltage:	1 x 115/230 V
Current in speed 3:	3.4/1.8 A
Cos phi:	0.95
Capacitor size - run:	30 µF/400 V
Enclosure class (IEC 34-5):	X4D
Insulation class (IEC 85):	F
Motor protection:	CONTACT
Thermal protec:	internal
<b>Controls:</b>	
Relay:	without relay
Pos term box:	1.30H
<b>Others:</b>	
Net weight:	33.1 lb
Gross weight:	40.6 lb
Shipping volume:	1.02 ft <sup>3</sup>
Sales region:	Namreg
Country of origin:	RS
Custom tariff no.:	8413.70.2005

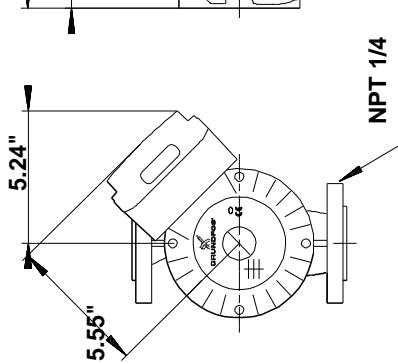
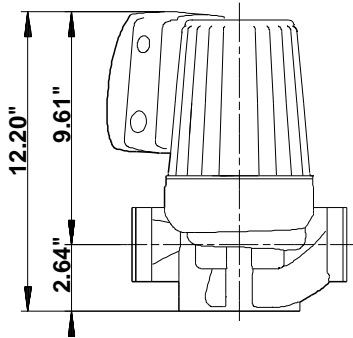
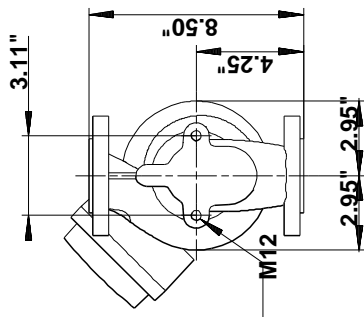
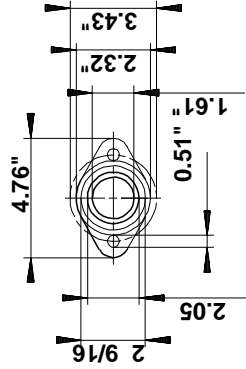




Company name: Hurley Engineering  
Created by:  
Phone:

Date: 3/23/2020

### 96439644 UP 43-70 F 60 Hz



Note! All units are in [in] unless otherwise stated.  
Disclaimer: This simplified dimensional drawing does not show all details.