

PROJECT:	Criculators	UNIT TAG:	_____	QUANTITY:	1
REPRESENTATIVE:	Hurley Engineering	TYPE OF SERVICE:	Recirculation	DATE:	_____
ENGINEER:	TBD	SUBMITTED BY:	Devin Carle	DATE:	_____
CONTRACTOR:	TBD	APPROVED BY:	_____	DATE:	_____
		ORDER NO.:	_____	DATE:	_____

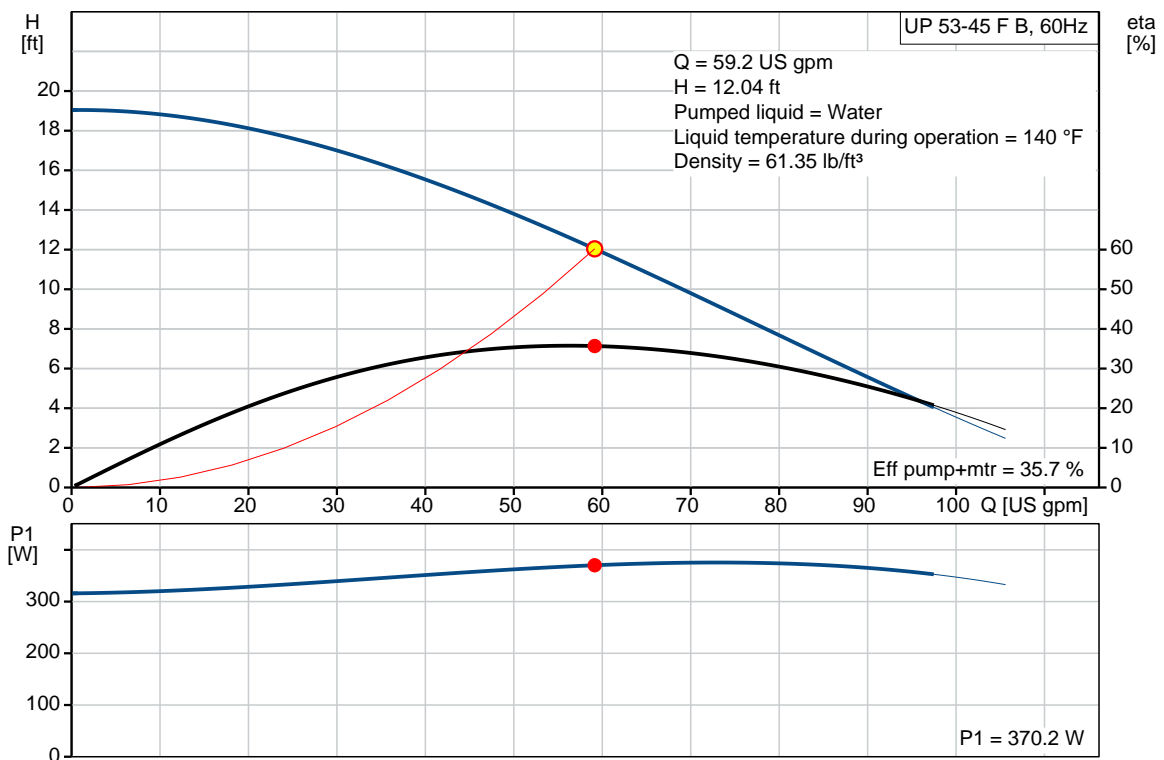


UP 53-45 F B

Circulator pumps

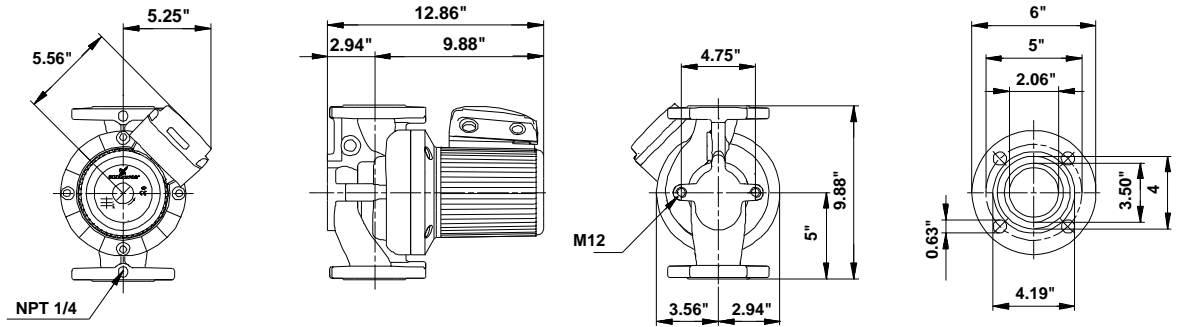
Product photo could vary from the actual product

Conditions of Service	Pump Data	Motor Data
Flow: 59.2 US gpm	Maximum operating pressure: 145.04 psi	Max. power input: 380 W
Head: 12.04 ft	Liquid temperature range: 14 .. 230 °F	Rated voltage: 115/230 V
Efficiency: 35.7 %	Maximum ambient temperature: 104 °F	Main frequency: 60 Hz
Liquid: Water	Approvals: CUL	Enclosure class: X4D
Temperature: 140 °F	Type of connection: F	Insulation class: F
NPSH required: ft	Flange standard: USA	Motor protection: CONTACT
Viscosity: _____	Pipe connection: GF 53	Thermal protection: internal
Specific Gravity: 0.985	Product number: 96633578	



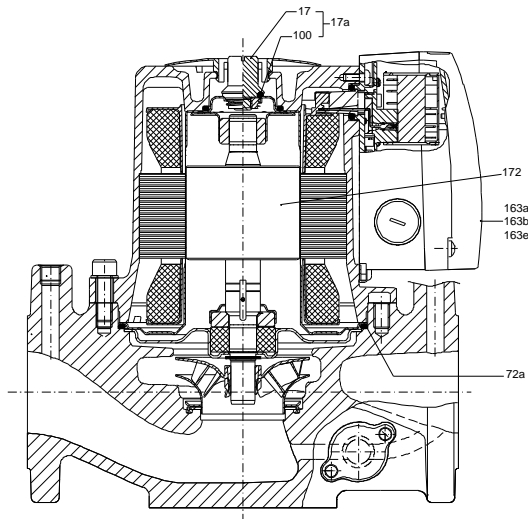
4

3



Materials:

- Pump housing: Bronze
DIN W.-Nr. 2.1176.01
- Impeller: Stainless steel
DIN W.-Nr. 1.4301
AISI 304



Count	Description
1	<p data-bbox="287 403 446 436">UP 53-45 F B</p> <div data-bbox="363 454 619 775" data-label="Image"> </div> <p data-bbox="694 757 1149 784">Product photo could vary from the actual product</p> <p data-bbox="287 788 566 817">Product No.: 96633578</p> <p data-bbox="287 819 829 936">The pump is of the canned rotor type, i.e. pump and motor form an integral unit without shaft seal and with only two gaskets for sealing. The bearings are lubricated by the pumped liquid.</p> <p data-bbox="287 967 829 1057">In order to avoid problems in connection with disposal, great importance has been attached to using as few different materials as possible.</p> <p data-bbox="287 1088 638 1120">The pump is characterized by:</p> <ul data-bbox="335 1122 798 1236" style="list-style-type: none"> * 1 speed motor. * Ceramic radial bearings. * Carbon axial bearing. * Stainless steel rotor can, bearing plate and rotor cladding. <ul data-bbox="335 1267 718 1355" style="list-style-type: none"> * Aluminium alloy stator housing. * Bronze pump housing. * Stator with built-in thermal switch. <p data-bbox="287 1386 638 1417">The motor is a 1-phase motor.</p> <p data-bbox="287 1449 813 1565">The pump is supplied with a standard module in the terminal box. The standard module is to be connected to the mains supply via external contactor.</p> <p data-bbox="287 1597 414 1628">Controls:</p> <p data-bbox="287 1630 766 1662">Relay: with relay</p> <p data-bbox="287 1693 383 1724">Liquid:</p> <p data-bbox="287 1727 782 1832">Pumped liquid: Water Liquid temperature range: 14 .. 230 °F Selected liquid temperature: 140 °F Density: 61.35 lb/ft³</p> <p data-bbox="287 1863 414 1895">Technical:</p> <p data-bbox="287 1897 813 1984">Actual calculated flow: 59.2 US gpm Resulting head of the pump: 12.04 ft Approvals on nameplate: CUL</p> <p data-bbox="287 2016 414 2047">Materials:</p>



Company name: Hurley Engineering
Created by:
Phone:

Date: 3/23/2020

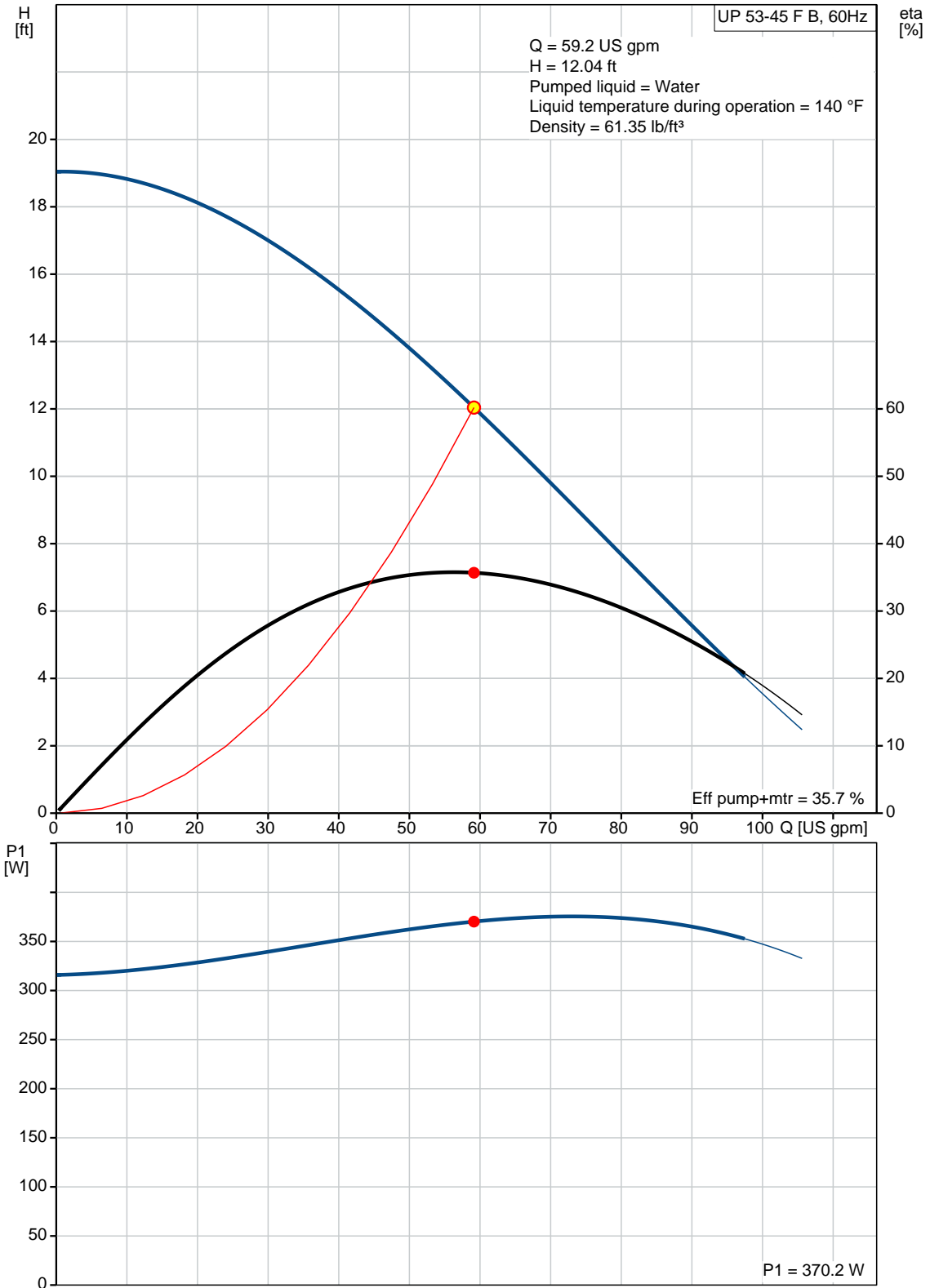
Count	Description
	Pump housing: Bronze DIN W.-Nr. 2.1176.01
	Impeller: Stainless steel DIN W.-Nr. 1.4301 AISI 304
	Installation: Range of ambient temperature: 32 .. 104 °F Maximum operating pressure: 145.04 psi Flange standard: USA Type of connection: F Pipe connection: GF 53 Pressure stage: 145 psi Port-to-port length: 9 7/8 in
	Electrical data: Max. power input: 380 W Main frequency: 60 Hz Rated voltage: 1 x 115/230 V Current in speed 3: 3.5/1.9 A Cos phi: 0.95 Capacitor size - run: 30 µF/240 V Enclosure class (IEC 34-5): X4D Insulation class (IEC 85): F
	Others: Net weight: 49.2 lb Gross weight: 57.1 lb Shipping volume: 2.12 ft ³ Country of origin: RS Custom tariff no.: 8413.70.2005



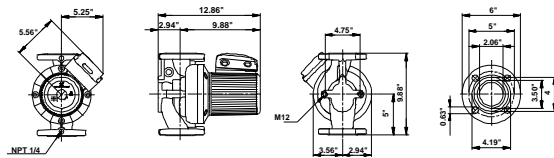
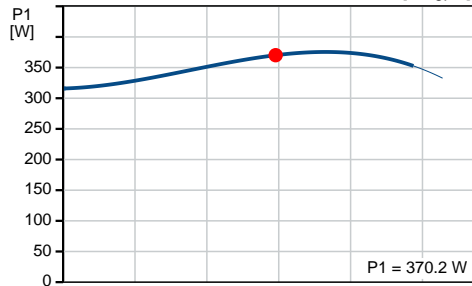
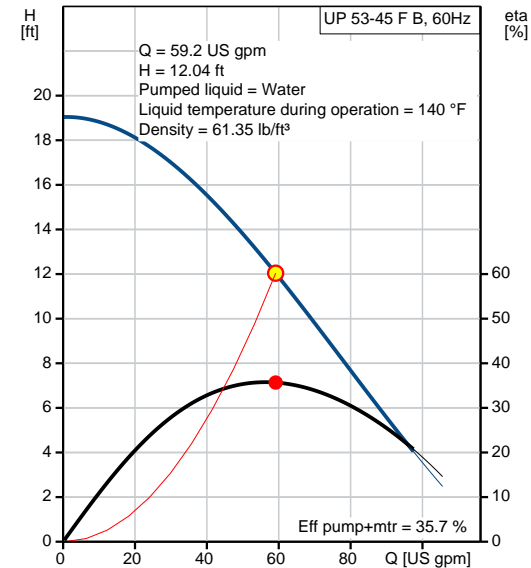
Company name: Hurley Engineering
Created by:
Phone:

Date: 3/23/2020

96633578 UP 53-45 F B 60 Hz



Description	Value
General information:	
Product name:	UP 53-45 F B
Product No.:	96633578
EAN:	5700835482464
	5700835482464
Technical:	
Speed Number:	1
Actual calculated flow:	59.2 US gpm
Resulting head of the pump:	12.04 ft
Head max:	14.76 ft
Approvals on nameplate:	CUL
Model:	C
Materials:	
Pump housing:	Bronze
	DIN W.-Nr. 2.1176.01
Impeller:	Stainless steel
	DIN W.-Nr. 1.4301
	AISI 304
Installation:	
Range of ambient temperature:	32 .. 104 °F
Maximum operating pressure:	145.04 psi
Flange standard:	USA
Type of connection:	F
Pipe connection:	GF 53
Pressure stage:	145 psi
Port-to-port length:	9 7/8 in
Liquid:	
Pumped liquid:	Water
Liquid temperature range:	14 .. 230 °F
Selected liquid temperature:	140 °F
Density:	61.35 lb/ft³
Electrical data:	
Max. power input:	380 W
Main frequency:	60 Hz
Rated voltage:	1 x 115/230 V
Current in speed 3:	3.5/1.9 A
Cos phi:	0.95
Capacitor size - run:	30 µF/240 V
Enclosure class (IEC 34-5):	X4D
Insulation class (IEC 85):	F
Motor protection:	CONTACT
Thermal protec:	internal
Controls:	
Relay:	with relay
Pos term box:	1.30H
Others:	
Net weight:	49.2 lb
Gross weight:	57.1 lb
Shipping volume:	2.12 ft³
Sales region:	Namreg
Country of origin:	RS
Custom tariff no.:	8413.70.2005

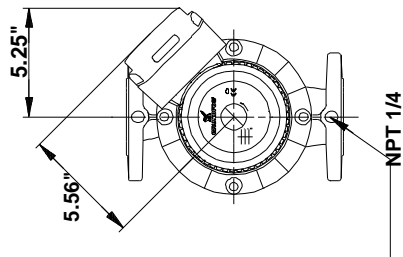
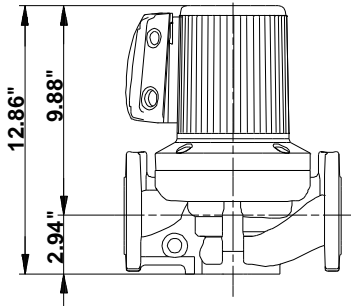
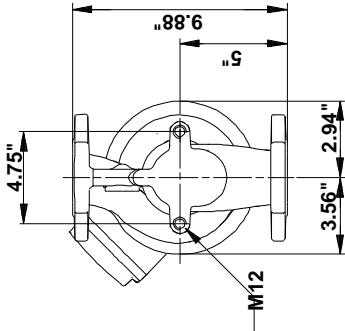
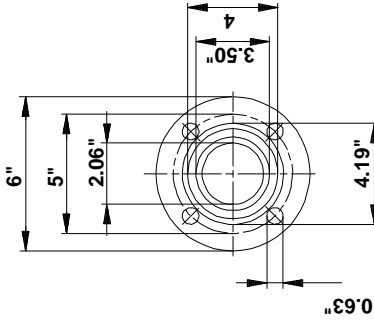




Company name: Hurley Engineering
Created by:
Phone:

Date: 3/23/2020

96633578 UP 53-45 F B 60 Hz



Note! All units are in [in] unless otherwise stated.
Disclaimer: This simplified dimensional drawing does not show all details.