

PROJECT:	Criculators	UNIT TAG:	_____	QUANTITY:	1
REPRESENTATIVE:	Hurley Engineering	TYPE OF SERVICE:	Recirculation	DATE:	_____
ENGINEER:	TBD	SUBMITTED BY:	Devin Carle	DATE:	_____
CONTRACTOR:	TBD	APPROVED BY:	_____	DATE:	_____
		ORDER NO.:	_____	DATE:	_____

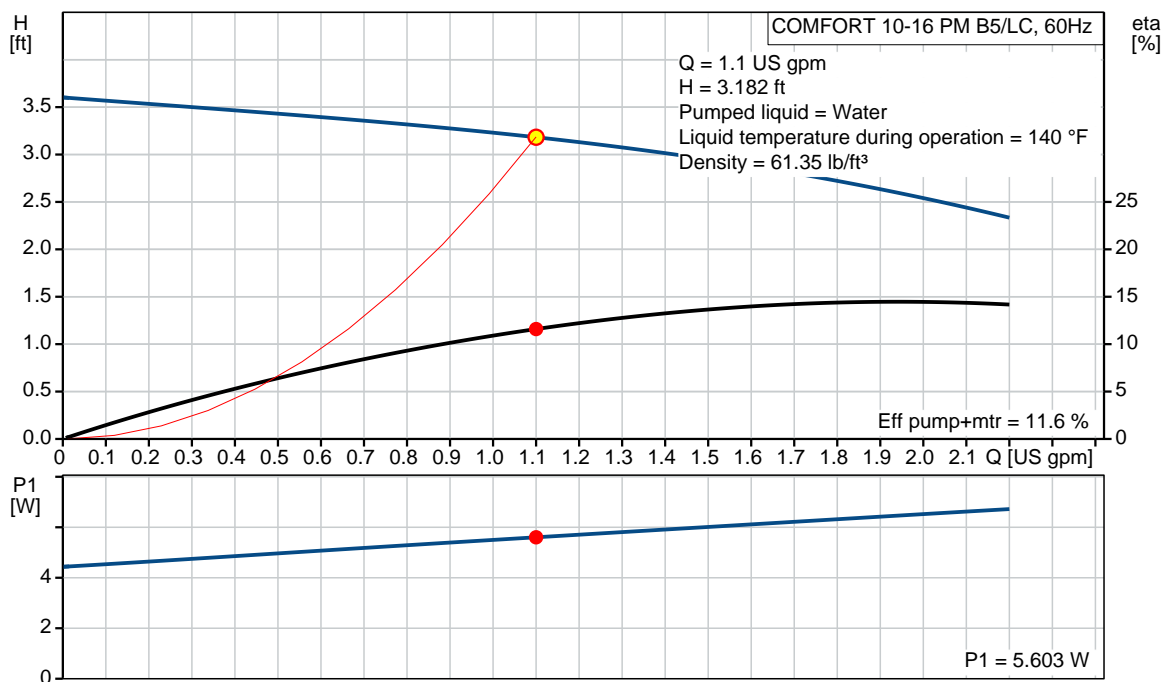


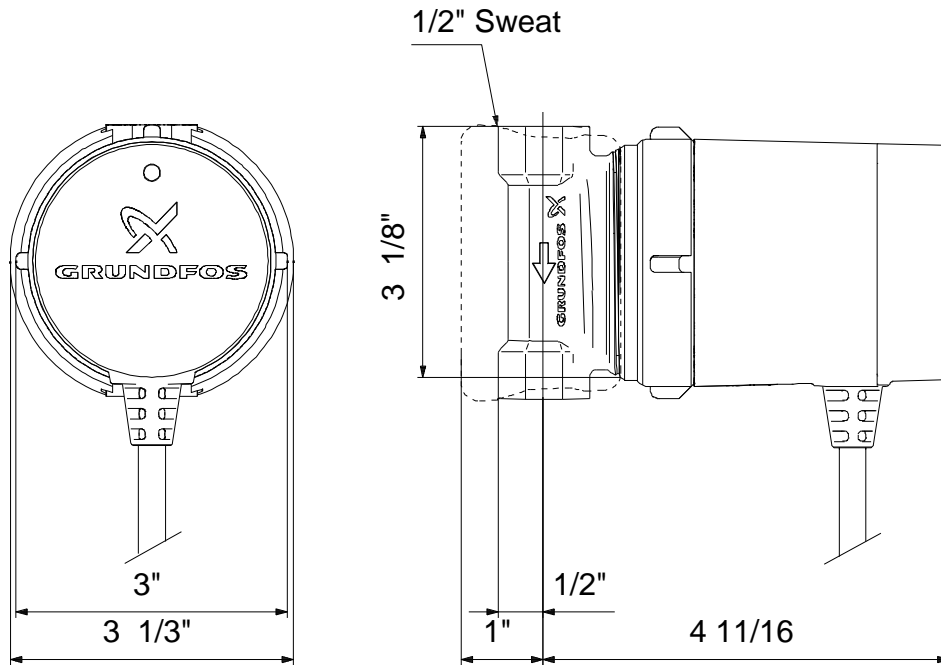
COMFORT 10-16 PM B5/LC

Domestic hot water pumps

Product photo could vary from the actual product

Conditions of Service		Pump Data		Motor Data	
Flow:	1.1 US gpm	Maximum operating pressure:	145.04 psi	Max. power input:	6 W
Head:	3.182 ft	Liquid temperature range:	35.6 .. 203 °F	Rated voltage:	115-230 V
Efficiency:	11.6 %	Approvals:	UL,CSA	Main frequency:	60 Hz
Liquid:	Water	Flange standard:	USA Sweat	Enclosure class:	IP44
Temperature:	140 °F	Pipe connection:	1/2" Sweat	Insulation class:	F
NPSH required:	ft	Product number:	98420206	Motor protection:	NONE
Viscosity:	_____			Thermal protection:	IMPE
Specific Gravity:	0.985				





Materials:

Pump housing: Ecobrass
Impeller: Stainless steel, EPDM, PPO, PTFE, Graphit

Count	Description
-------	-------------

1	COMFORT 10-16 PM B5/LC
---	------------------------



Product photo could vary from the actual product

Product No.: [98420206](#)

The high-efficiency Grundfos Comfort PM range is a product for domestic hotwater re-circulation with lead free drinking water suitable pump housing for single- and two-family houses powered by a high efficiency single-phase, 12-pole, permanent-magnet motor.

Features and benefits:

- * Quick and simple electrical installation due to the highly reliable ALPHA plug
- * dry running detection
- * Easy-to-clean and lime-insensitive spheric rotor
- * Wearless operation due to liquid lubricated bearing
- * No leakage risk due to a static seal
- * Easy maintenance and cleaning through the easy-to-separate pump head fitting almost all competitor pump housings
- * Corrosion resistant lead free brass pump housing
- * No additional motor protection necessary due to integrated motor electronics

Liquid:

Pumped liquid: Water
 Liquid temperature range: 35.6 .. 203 °F
 Selected liquid temperature: 140 °F
 Density: 61.35 lb/ft³

Technical:

Actual calculated flow: 1.1 US gpm
 Resulting head of the pump: 3.182 ft
 TF class: 95
 Approvals on nameplate: UL,CSA

Materials:

Pump housing: Ecobrass
 Impeller: Stainless steel, EPDM, PPO, PTFE, Graphit

Installation:

Maximum operating pressure: 145.04 psi
 Flange standard: USA Sweat
 Pipe connection: 1/2" Sweat



Company name: Hurley Engineering
Created by:
Phone:

Date: 3/23/2020

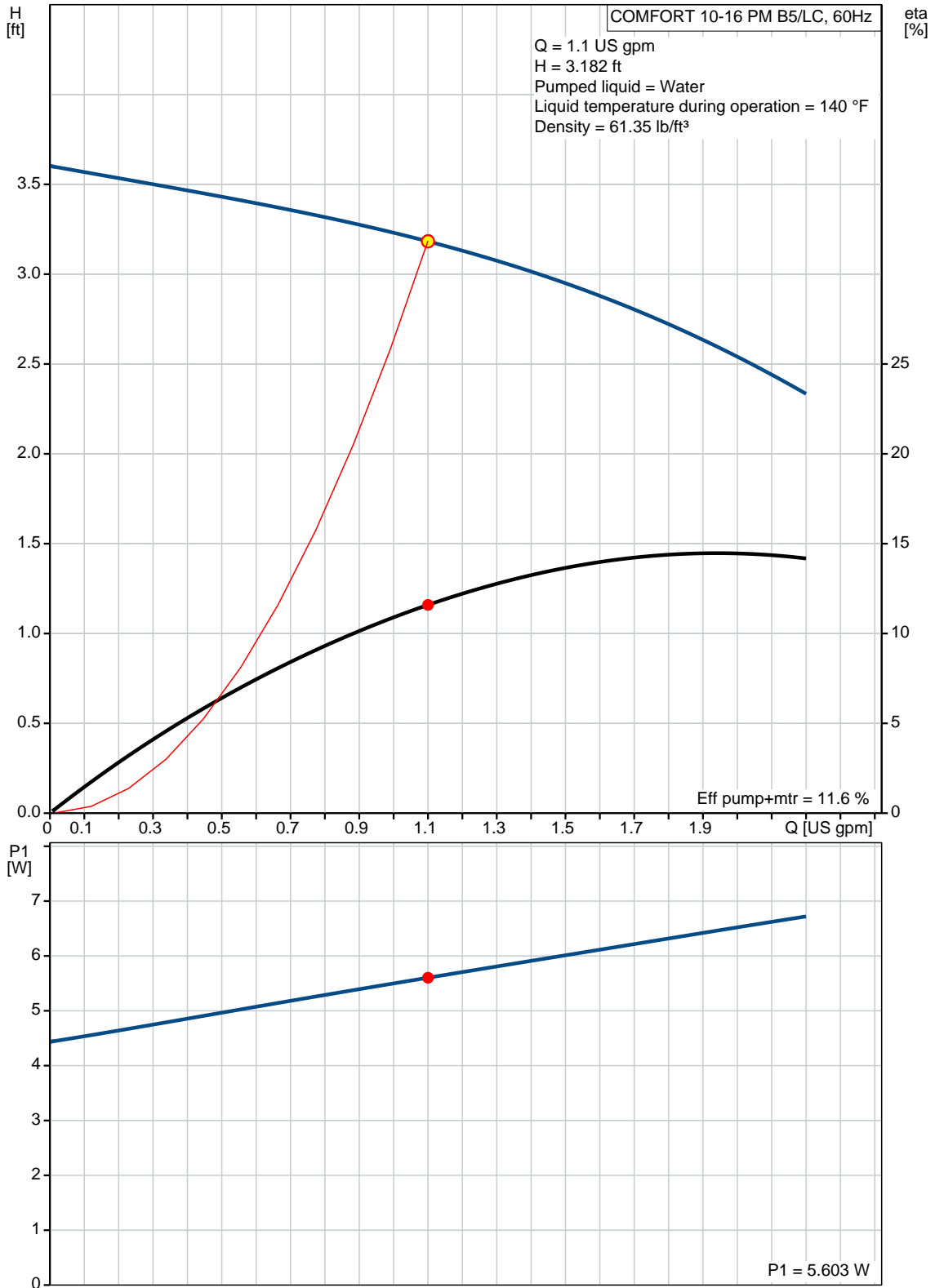
Count	Description
	Pressure stage: 10 Port-to-port length: 3 1/8 in
	Electrical data: Max. power input: 6 W Main frequency: 60 Hz Rated voltage: 1 x 115-230 V Current in speed 3: 0.10/0.07 A Capacitor size - run: 0.6 µF Enclosure class (IEC 34-5): IP44 Insulation class (IEC 85): F Cable type: Connecting cord with plug Type of cable plug: NEMA 1-15P
	Others: Net weight: 2.6 lb Gross weight: 2.89 lb Shipping volume: 0.12 ft ³ Country of origin: DE Custom tariff no.: 8413.70.2005



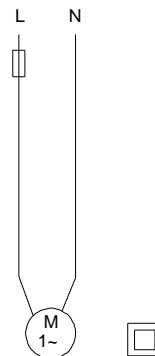
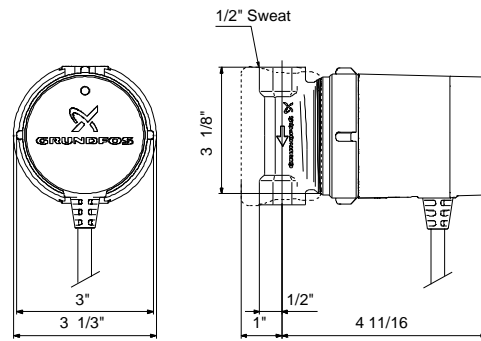
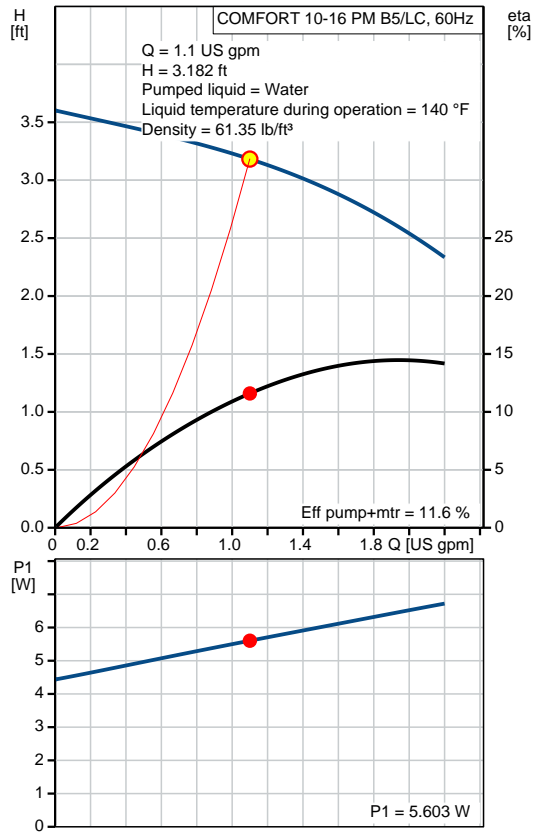
Company name: Hurley Engineering
Created by:
Phone:

Date: 3/23/2020

98420206 COMFORT 10-16 PM B5/LC 60 Hz



Description	Value
General information:	
Product name:	COMFORT 10-16 PM B5/LC
Product No.:	98420206
EAN:	5711494712601 5711494712601
Technical:	
Speed Number:	1
Actual calculated flow:	1.1 US gpm
Resulting head of the pump:	3.182 ft
Head max:	5.25 ft
TF class:	95
Approvals on nameplate:	UL, CSA
Materials:	
Pump housing:	Ecobrass
Impeller:	Stainless steel, EPDM, PPO, PTFE, Graphit
Installation:	
Maximum operating pressure:	145.04 psi
Flange standard:	USA Sweat
Pipe connection:	1/2" Sweat
Pressure stage:	10
Port-to-port length:	3 1/8 in
Liquid:	
Pumped liquid:	Water
Liquid temperature range:	35.6 .. 203 °F
Selected liquid temperature:	140 °F
Density:	61.35 lb/ft³
Electrical data:	
Max. power input:	6 W
Main frequency:	60 Hz
Rated voltage:	1 x 115-230 V
Current in speed 3:	0.10/0.07 A
Capacitor size - run:	0.6 µF
Enclosure class (IEC 34-5):	IP44
Insulation class (IEC 85):	F
Motor protection:	NONE
Thermal protec:	IMPE
Cable type:	Connecting cord with plug
Type of cable plug:	NEMA 1-15P
Others:	
Net weight:	2.6 lb
Gross weight:	2.89 lb
Shipping volume:	0.12 ft³
Country of origin:	DE
Custom tariff no.:	8413.70.2005

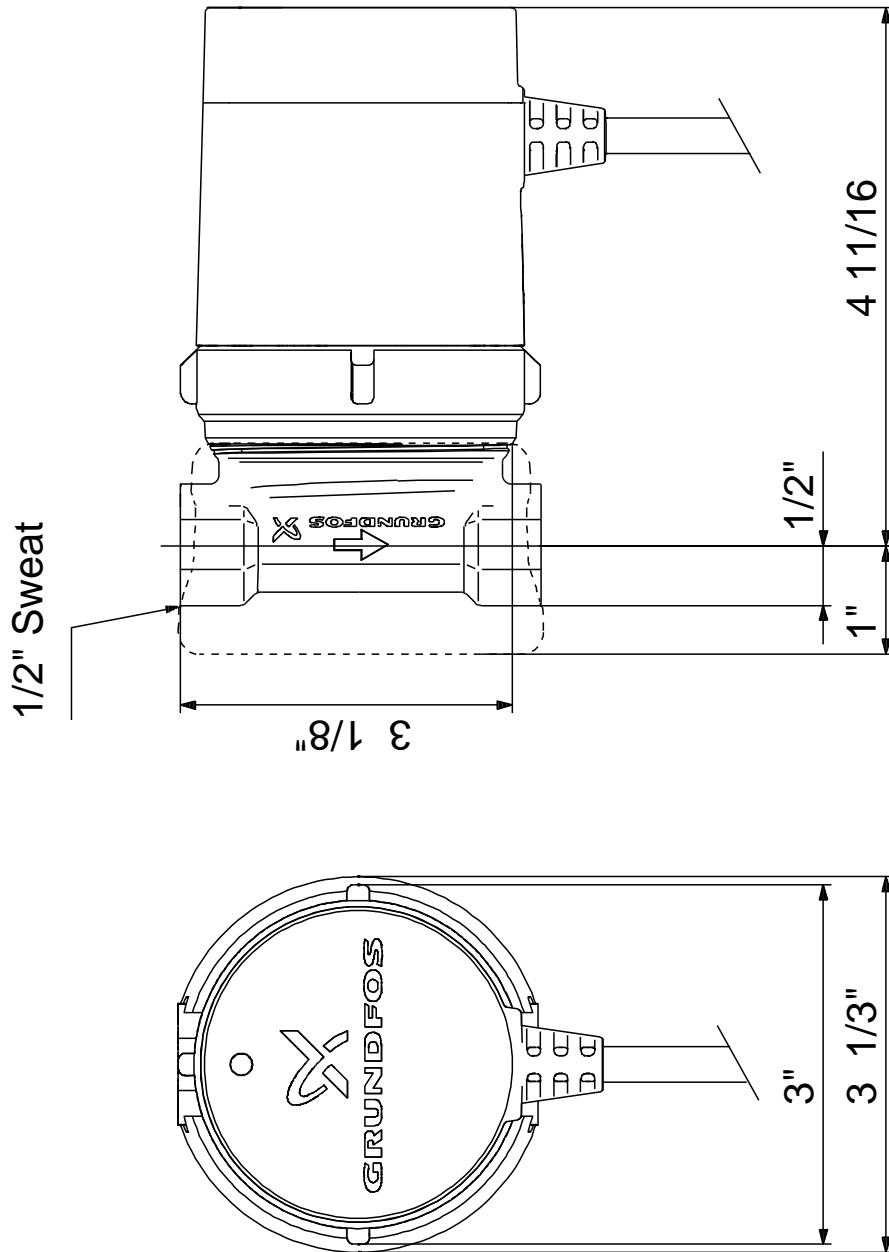




Company name: Hurley Engineering
Created by:
Phone:

Date: 3/23/2020

98420206 COMFORT 10-16 PM B5/LC 60 Hz



Note! All units are in [in] unless otherwise stated.
Disclaimer: This simplified dimensional drawing does not show all details.

98420206 COMFORT 10-16 PM B5/LC 60 Hz



All units are [in] unless otherwise presented.