

PROJECT:	Criculators	UNIT TAG:	_____	QUANTITY:	1
REPRESENTATIVE:	Hurley Engineering	TYPE OF SERVICE:	Recirculation	DATE:	_____
ENGINEER:	TBD	SUBMITTED BY:	Devin Carle	DATE:	_____
CONTRACTOR:	TBD	APPROVED BY:	_____	DATE:	_____
		ORDER NO.:	_____	DATE:	_____

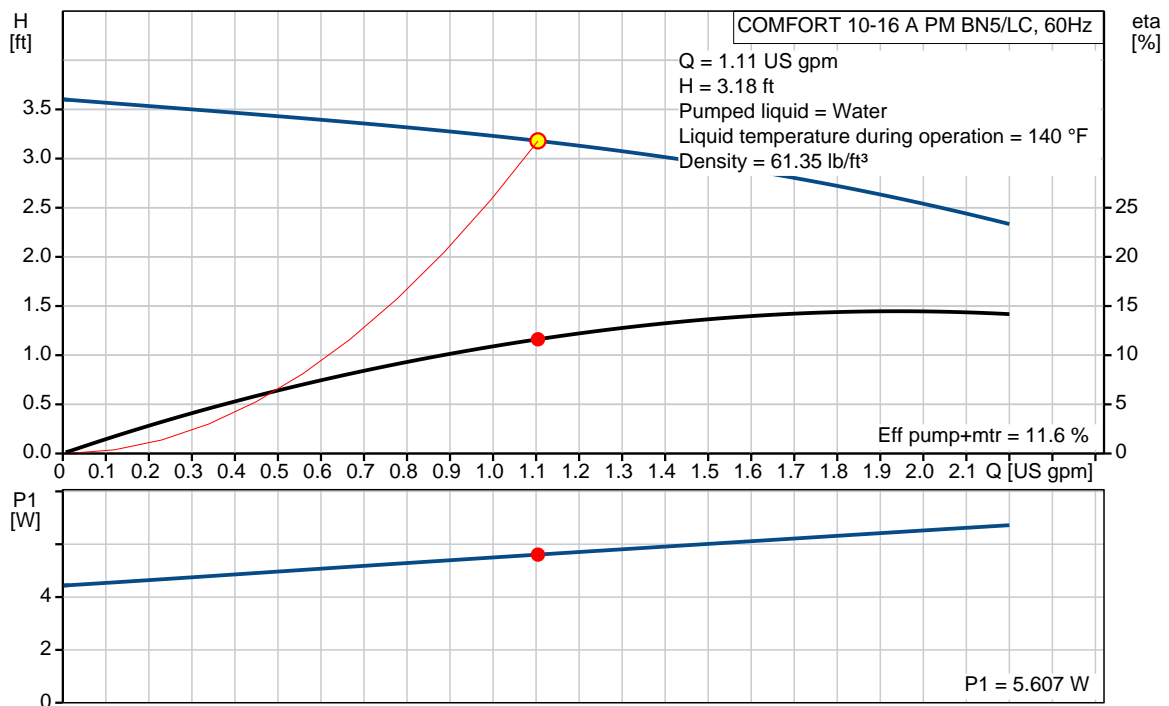


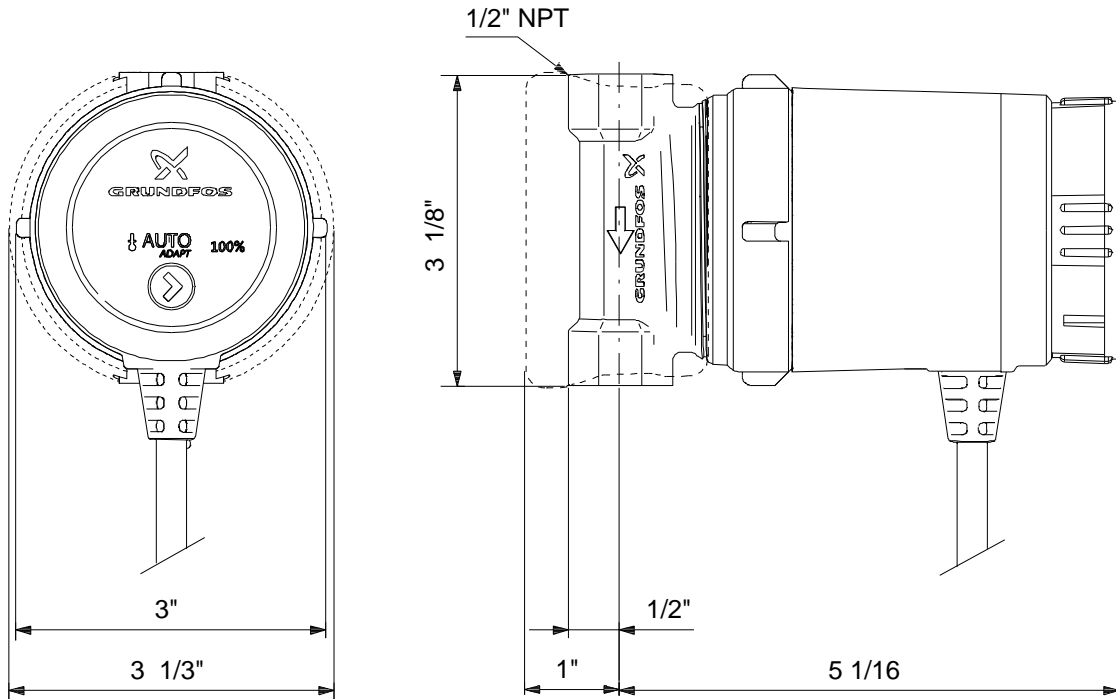
### COMFORT 10-16 A PM BN5/LC

Domestic hot water pumps

Product photo could vary from the actual product

Conditions of Service	Pump Data	Motor Data
Flow: 1.11 US gpm	Maximum operating pressure: 145.04 psi	Max. power input: 6 W
Head: 3.18 ft	Liquid temperature range: 35.6 .. 203 °F	Rated voltage: 115-230 V
Efficiency: 11.6 %	Approvals: UL,CSA	Main frequency: 60 Hz
Liquid: Water	Flange standard: USA Threaded	Enclosure class: IP44
Temperature: 140 °F	Pipe connection: NPT 1/2"	Insulation class: F
NPSH required: ft	Product number: 98420223	Motor protection: NONE
Viscosity: _____		Thermal protection: IMPE
Specific Gravity: 0.985		





**Materials:**

Pump housing: Ecobrass  
 Impeller: Stainless steel, EPDM, PPO, PTFE, Graphit

Count	Description
-------	-------------

1	COMFORT 10-16 A PM BN5/LC
---	---------------------------



Product photo could vary from the actual product

Product No.: [98420223](#)

The high-efficiency Grundfos Comfort PM range is a product for domestic hotwater re-circulation with lead free drinking water suitable pump housing for single- and two-family houses powered by a high efficiency single-phase, 12-pole, permanent-magnet motor.

**Features and benefits:**

- \* Quick and simple electrical installation due to the highly reliable ALPHA plug
- \* dry running detection
- \* Easy-to-clean and lime-insensitive spheric rotor
- \* Wearless operation due to liquid lubricated bearing
- \* No leakage risk due to a static seal
- \* Easy maintenance and cleaning through the easy-to-separate pump head fitting almost all competitor pump housings
- \* Corrosion resistant lead free brass pump housing
- \* No additional motor protection necessary due to integrated motor electronics

**Liquid:**

Pumped liquid:	Water
Liquid temperature range:	35.6 .. 203 °F
Selected liquid temperature:	140 °F
Density:	61.35 lb/ft³

**Technical:**

Actual calculated flow:	1.11 US gpm
Resulting head of the pump:	3.18 ft
TF class:	95
Approvals on nameplate:	UL,CSA

**Materials:**

Pump housing:	Ecobrass
Impeller:	Stainless steel, EPDM, PPO, PTFE, Graphit

**Installation:**

Maximum operating pressure:	145.04 psi
Flange standard:	USA Threaded
Pipe connection:	NPT 1/2"
Pressure stage:	10



Company name: Hurley Engineering  
Created by:  
Phone:

Date: 3/23/2020

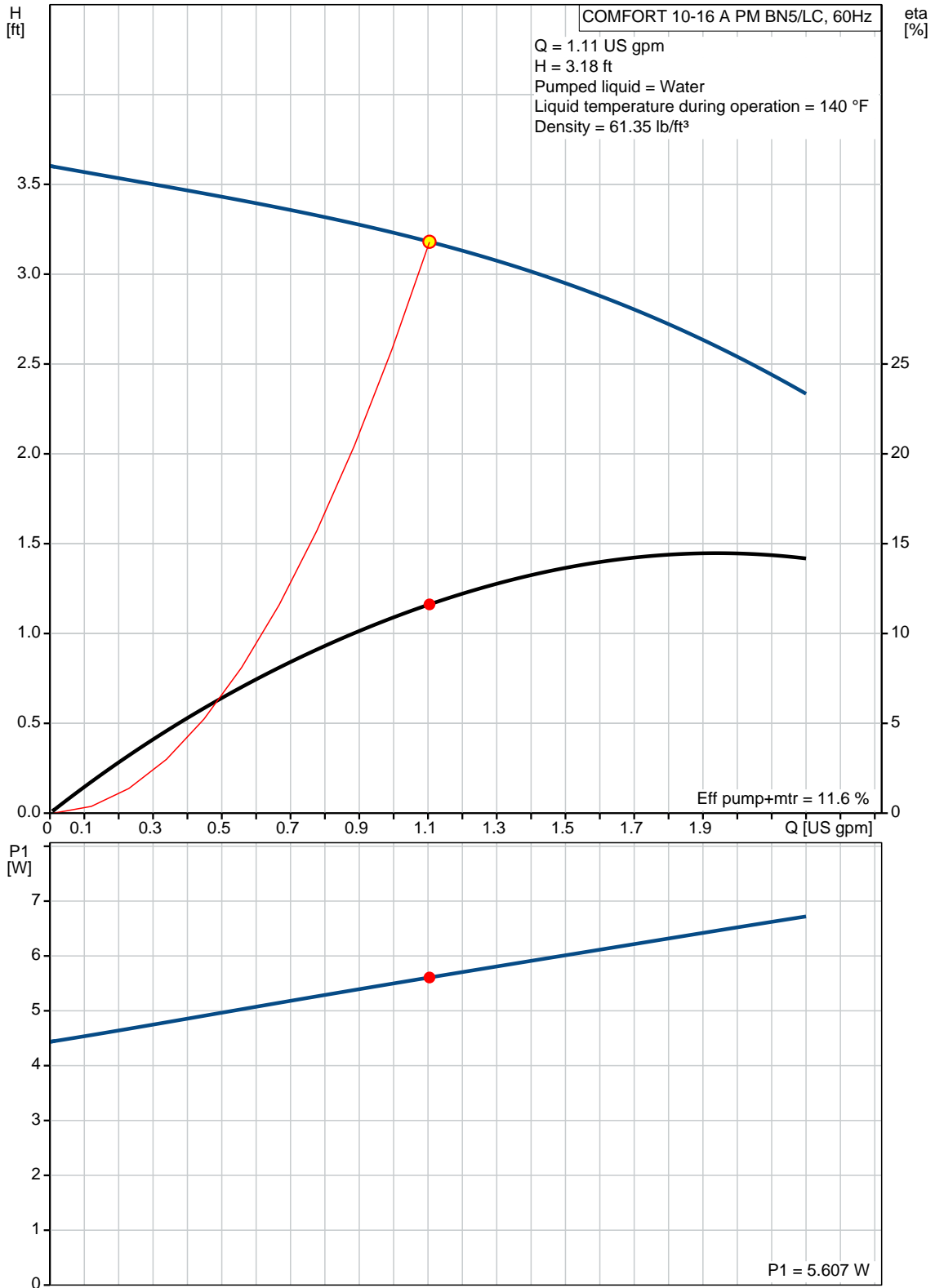
Count	Description
	Port-to-port length: 3 1/8 in
	<b>Electrical data:</b>
	Max. power input: 6 W
	Main frequency: 60 Hz
	Rated voltage: 1 x 115-230 V
	Current in speed 3: 0.10/0.07 A
	Capacitor size - run: 0.6 µF
	Enclosure class (IEC 34-5): IP44
	Insulation class (IEC 85): F
	Cable type: Connecting cord with plug
	Type of cable plug: NEMA 1-15P
	<b>Others:</b>
	Net weight: 2.6 lb
	Gross weight: 3.79 lb
	Shipping volume: 0.12 ft³
	Country of origin: DE
	Custom tariff no.: 8413.70.2005



Company name: Hurley Engineering  
Created by:  
Phone:

Date: 3/23/2020

### 98420223 COMFORT 10-16 A PM BN5/LC 60 Hz

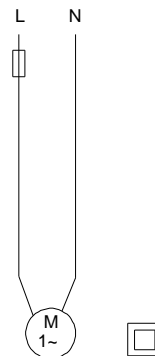
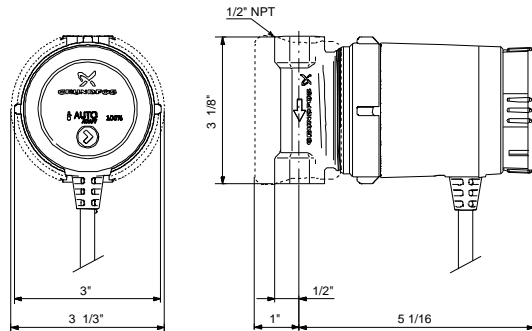
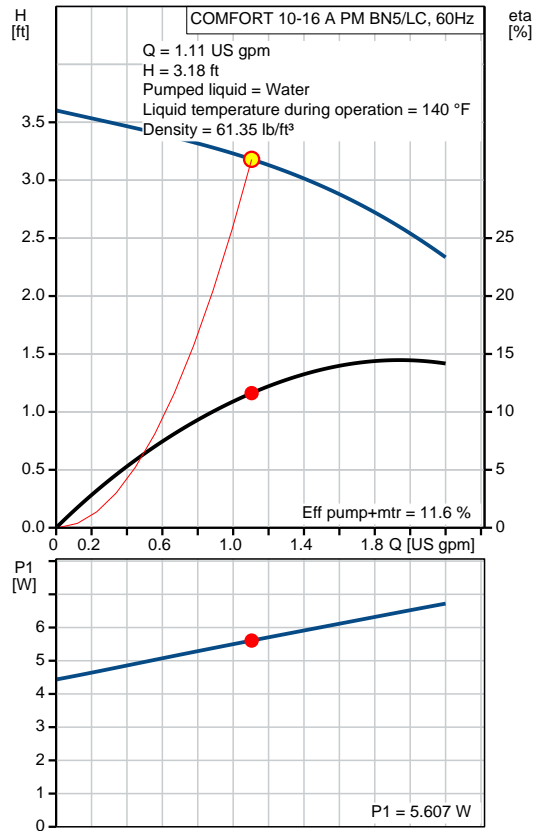




Company name: Hurley Engineering  
 Created by:  
 Phone:

Date: 3/23/2020

Description	Value
<b>General information:</b>	
Product name:	COMFORT 10-16 A PM BN5/LC
Product No.:	98420223
EAN:	5711494712885
	5711494712885
<b>Technical:</b>	
Speed Number:	1
Actual calculated flow:	1.11 US gpm
Resulting head of the pump:	3.18 ft
Head max:	5.25 ft
TF class:	95
Approvals on nameplate:	UL, CSA
<b>Materials:</b>	
Pump housing:	Ecobrass
Impeller:	Stainless steel, EPDM, PPO, PTFE, Graphit
<b>Installation:</b>	
Maximum operating pressure:	145.04 psi
Flange standard:	USA Threaded
Pipe connection:	NPT 1/2"
Pressure stage:	10
Port-to-port length:	3 1/8 in
<b>Liquid:</b>	
Pumped liquid:	Water
Liquid temperature range:	35.6 .. 203 °F
Selected liquid temperature:	140 °F
Density:	61.35 lb/ft³
<b>Electrical data:</b>	
Max. power input:	6 W
Main frequency:	60 Hz
Rated voltage:	1 x 115-230 V
Current in speed 3:	0.10/0.07 A
Capacitor size - run:	0.6 µF
Enclosure class (IEC 34-5):	IP44
Insulation class (IEC 85):	F
Motor protection:	NONE
Thermal protec:	IMPE
Cable type:	Connecting cord with plug
Type of cable plug:	NEMA 1-15P
<b>Others:</b>	
Net weight:	2.6 lb
Gross weight:	3.79 lb
Shipping volume:	0.12 ft³
Country of origin:	DE
Custom tariff no.:	8413.70.2005

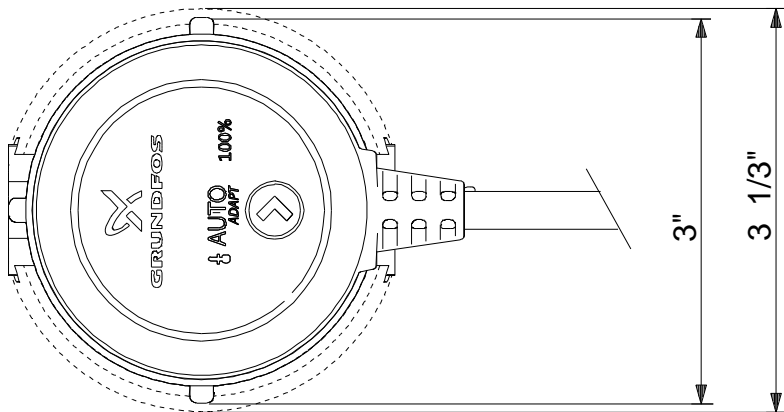
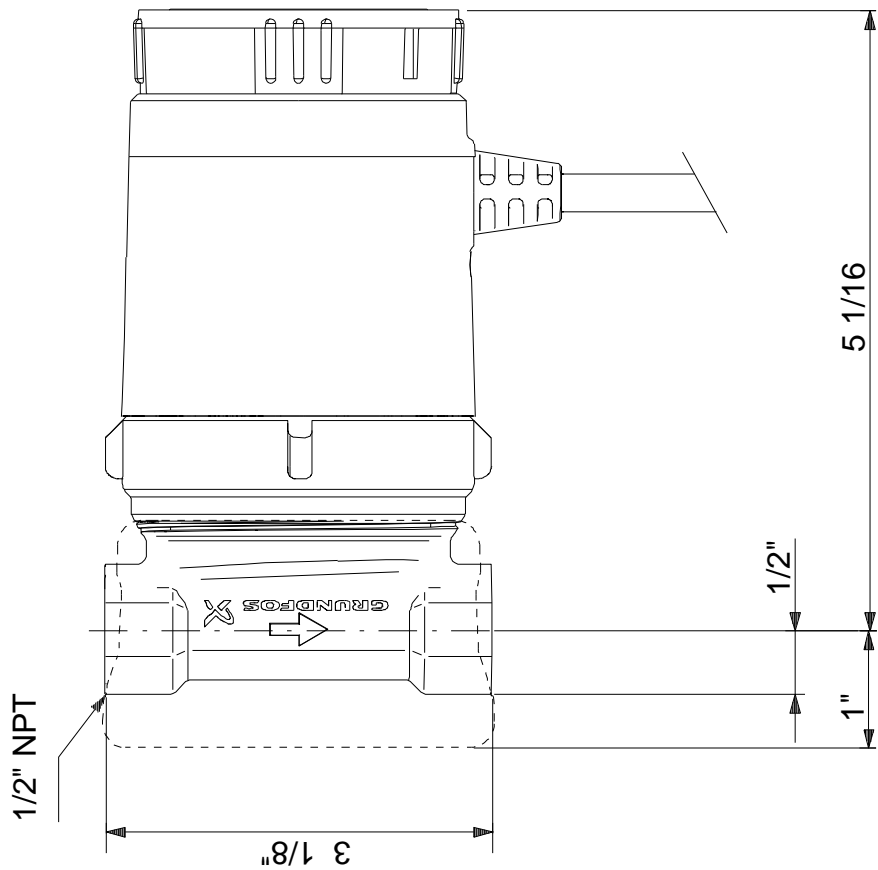




Company name: Hurley Engineering  
Created by:  
Phone:

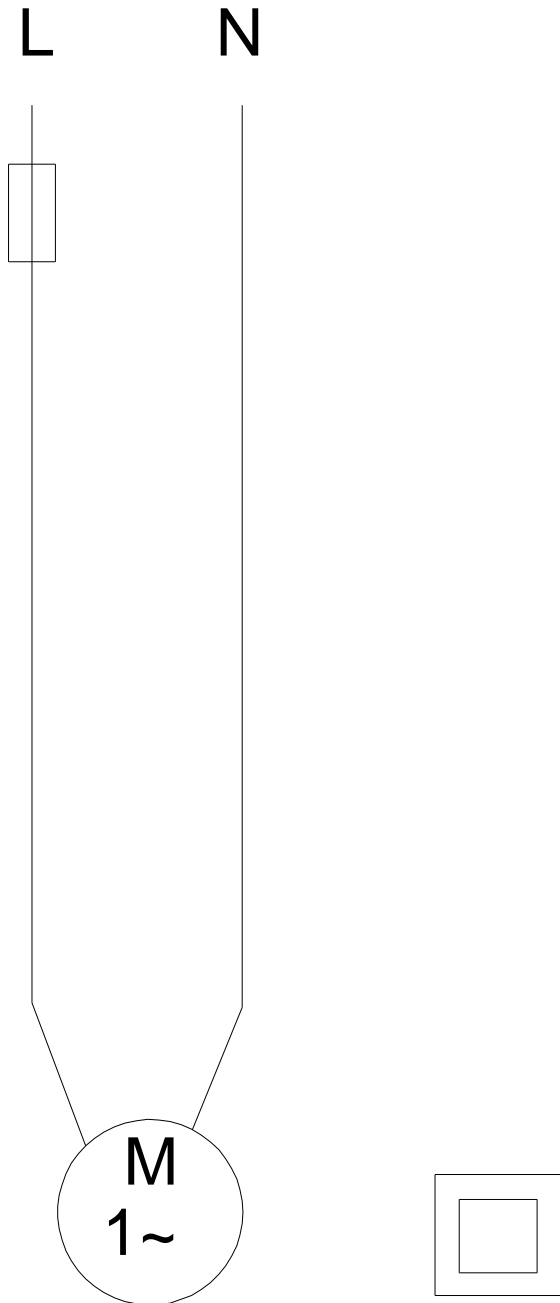
Date: 3/23/2020

### 98420223 COMFORT 10-16 A PM BN5/LC 60 Hz



Note! All units are in [in] unless otherwise stated.  
Disclaimer: This simplified dimensional drawing does not show all details.

**98420223 COMFORT 10-16 A PM BN5/LC 60 Hz**



All units are [in] unless otherwise presented.