

PROJECT:	Criculators	UNIT TAG:	_____	QUANTITY:	1
REPRESENTATIVE:	Hurley Engineering	TYPE OF SERVICE:	Recirculation	DATE:	_____
ENGINEER:	TBD	SUBMITTED BY:	Devin Carle	DATE:	_____
CONTRACTOR:	TBD	APPROVED BY:	_____	DATE:	_____
		ORDER NO.:	_____	DATE:	_____

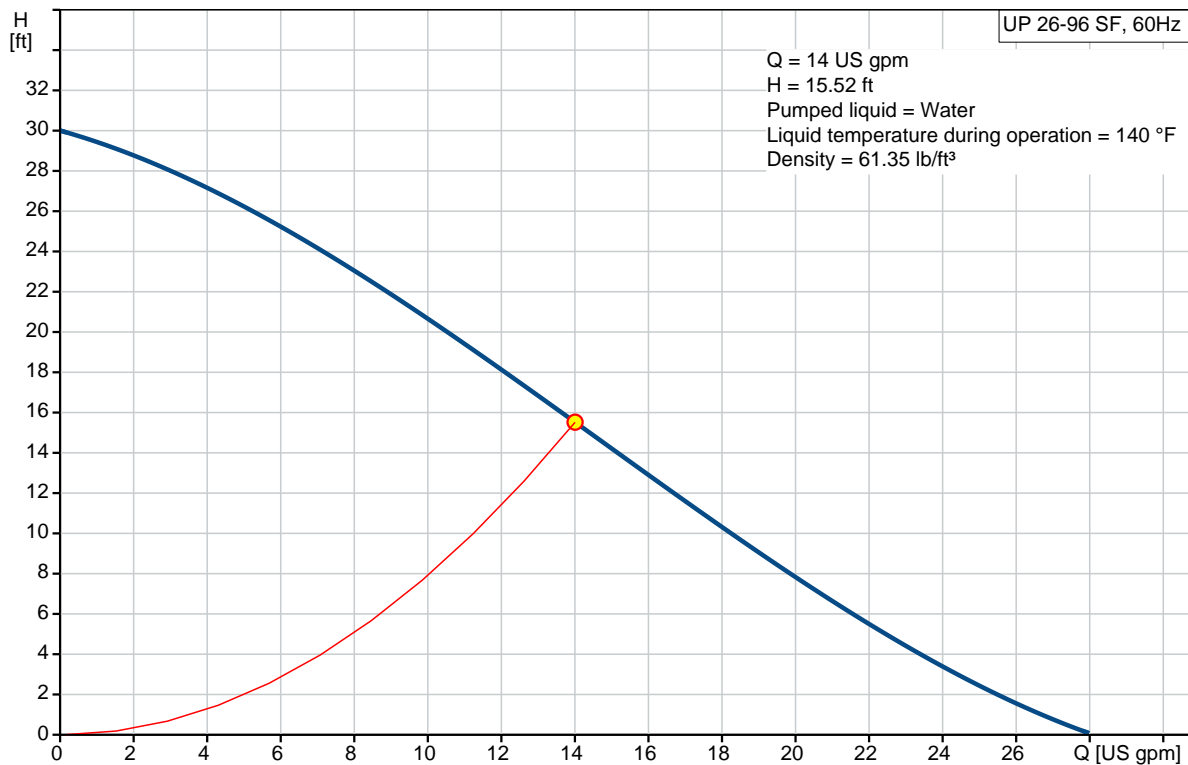


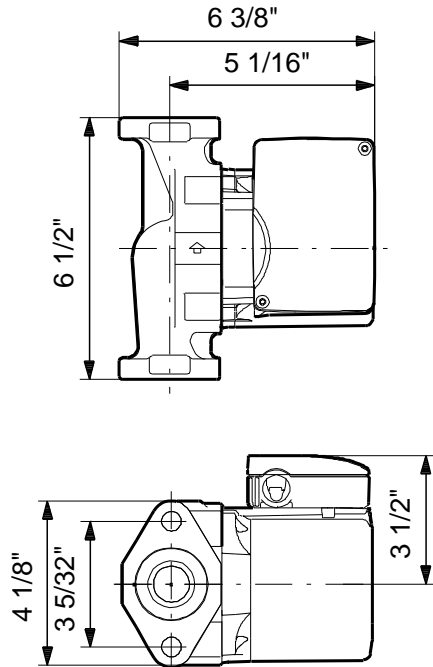
### UP 26-96 SF

Circulator pumps

Product photo could vary from the actual product

Conditions of Service		Pump Data		Motor Data	
Flow:	14 US gpm	Maximum operating pressure:	145.04 psi	Max. power input:	205 W
Head:	15.52 ft	Liquid temperature range:	35.6 .. 230 °F	Rated voltage:	230 V
Efficiency:	_____	Maximum ambient temperature:	104 °F	Main frequency:	60 Hz
Liquid:	Water	Approvals:	UL, CSA	Insulation class:	F
Temperature:	140 °F	Type of connection:	S.S. Flange	Motor protection:	CONTACT
NPSH required:	ft	Flange standard:	USA Oval	Thermal protection:	internal
Viscosity:	_____	Pipe connection:	2 - Bolt Flange		
Specific Gravity:	0.985	Product number:	98961739		






**Materials:**

Pump housing: Stainless steel  
EN 1.4301

Impeller: Composite, PES

Count	Description																																		
1	<p data-bbox="288 405 448 439"><b>UP 26-96 SF</b></p> <div data-bbox="325 488 655 741">  </div> <p data-bbox="692 757 1150 779">Product photo could vary from the actual product</p> <p data-bbox="288 786 568 808">Product No.: <a href="#">98961739</a></p> <p data-bbox="288 815 823 904">The pump is of the canned rotor type, i.e. pump and motor form an integral unit without shaft seal and with only two gaskets for sealing.</p> <p data-bbox="288 904 847 938">The bearings are lubricated by the pumped liquid.</p> <p data-bbox="288 938 636 965">The pump is characterized by:</p> <ul data-bbox="336 965 884 1115" style="list-style-type: none"> <li>* Ceramic shaft and radial bearings.</li> <li>* Carbon axial bearing.</li> <li>* Stainless steel rotor can and bearing plate.</li> <li>* Corrosion-resistant impeller, Composite, PES.</li> <li>* Stainless steel pump housing.</li> </ul> <p data-bbox="288 1144 764 1205">The motor is a 1-phase motor.                      No additional motor protection is required.</p> <p data-bbox="288 1234 387 1261"><b>Liquid:</b></p> <table data-bbox="288 1261 815 1384"> <tr> <td>Pumped liquid:</td> <td>Water</td> </tr> <tr> <td>Liquid temperature range:</td> <td>35.6 .. 230 °F</td> </tr> <tr> <td>Selected liquid temperature:</td> <td>140 °F</td> </tr> <tr> <td>Density:</td> <td>61.35 lb/ft³</td> </tr> </table> <p data-bbox="288 1413 427 1440"><b>Technical:</b></p> <table data-bbox="288 1440 791 1532"> <tr> <td>Actual calculated flow:</td> <td>14 US gpm</td> </tr> <tr> <td>Resulting head of the pump:</td> <td>15.52 ft</td> </tr> <tr> <td>Approvals on nameplate:</td> <td>UL, CSA</td> </tr> </table> <p data-bbox="288 1561 419 1588"><b>Materials:</b></p> <table data-bbox="288 1588 847 1680"> <tr> <td>Pump housing:</td> <td>Stainless steel EN 1.4301</td> </tr> <tr> <td>Impeller:</td> <td>Composite, PES</td> </tr> </table> <p data-bbox="288 1709 443 1736"><b>Installation:</b></p> <table data-bbox="288 1736 828 1977"> <tr> <td>Maximum ambient temperature:</td> <td>104 °F</td> </tr> <tr> <td>Ambient max at 176°F liquid:</td> <td>176 °F</td> </tr> <tr> <td>Maximum operating pressure:</td> <td>145.04 psi</td> </tr> <tr> <td>Flange standard:</td> <td>USA Oval</td> </tr> <tr> <td>Type of connection:</td> <td>S.S. Flange</td> </tr> <tr> <td>Pipe connection:</td> <td>2 - Bolt Flange</td> </tr> <tr> <td>Pressure stage:</td> <td>10</td> </tr> <tr> <td>Port-to-port length:</td> <td>6 1/2 in</td> </tr> </table> <p data-bbox="288 2007 480 2033"><b>Electrical data:</b></p>	Pumped liquid:	Water	Liquid temperature range:	35.6 .. 230 °F	Selected liquid temperature:	140 °F	Density:	61.35 lb/ft³	Actual calculated flow:	14 US gpm	Resulting head of the pump:	15.52 ft	Approvals on nameplate:	UL, CSA	Pump housing:	Stainless steel EN 1.4301	Impeller:	Composite, PES	Maximum ambient temperature:	104 °F	Ambient max at 176°F liquid:	176 °F	Maximum operating pressure:	145.04 psi	Flange standard:	USA Oval	Type of connection:	S.S. Flange	Pipe connection:	2 - Bolt Flange	Pressure stage:	10	Port-to-port length:	6 1/2 in
Pumped liquid:	Water																																		
Liquid temperature range:	35.6 .. 230 °F																																		
Selected liquid temperature:	140 °F																																		
Density:	61.35 lb/ft³																																		
Actual calculated flow:	14 US gpm																																		
Resulting head of the pump:	15.52 ft																																		
Approvals on nameplate:	UL, CSA																																		
Pump housing:	Stainless steel EN 1.4301																																		
Impeller:	Composite, PES																																		
Maximum ambient temperature:	104 °F																																		
Ambient max at 176°F liquid:	176 °F																																		
Maximum operating pressure:	145.04 psi																																		
Flange standard:	USA Oval																																		
Type of connection:	S.S. Flange																																		
Pipe connection:	2 - Bolt Flange																																		
Pressure stage:	10																																		
Port-to-port length:	6 1/2 in																																		



Company name: Hurley Engineering  
Created by:  
Phone:

Date: 3/23/2020

Count	Description
	Max. power input: 205 W Main frequency: 60 Hz Rated voltage: 1 x 230 V Current in speed 3: 0.8 A Capacitor size - run: 2.5 $\mu$ F/380 V Number of poles: 2 Insulation class (IEC 85): F
	<b>Others:</b> Gross weight: 11.5 lb Country of origin: US Custom tariff no.: 8413.70.2005



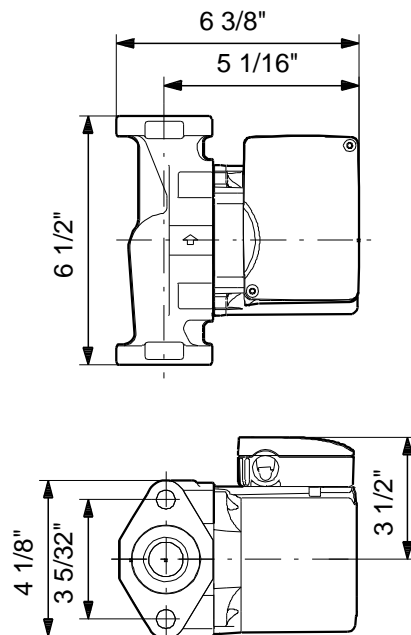
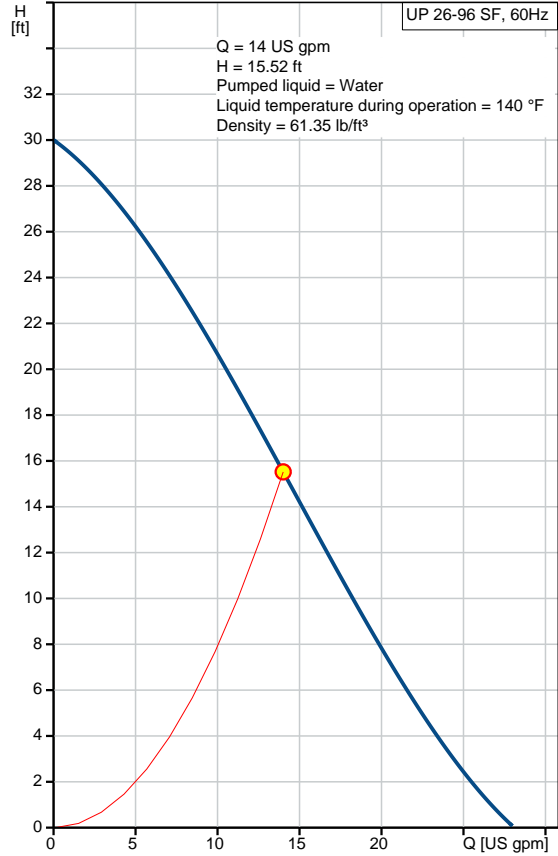
Company name: Hurley Engineering  
Created by:  
Phone:

Date: 3/23/2020

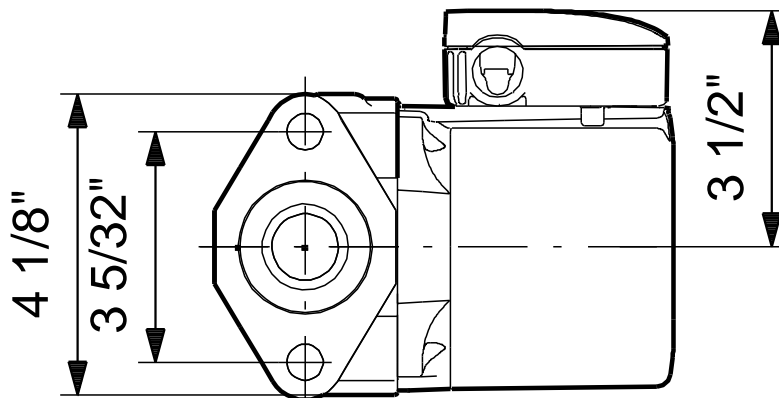
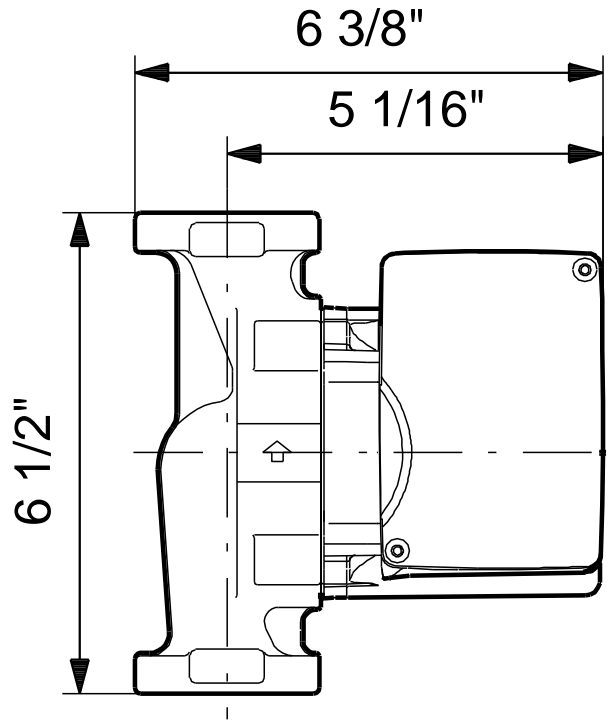
### 98961739 UP 26-96 SF 60 Hz



Description	Value
<b>General information:</b>	
Product name:	UP 26-96 SF
Product No.:	98961739
EAN:	5712604305409
	5712604305409
<b>Technical:</b>	
Speed Number:	1
Actual calculated flow:	14 US gpm
Max flow:	28.2 US gpm
Resulting head of the pump:	15.52 ft
Head max:	29.86 ft
Approvals on nameplate:	UL, CSA
<b>Materials:</b>	
Pump housing:	Stainless steel EN 1.4301
Impeller:	Composite, PES
<b>Installation:</b>	
Maximum ambient temperature:	104 °F
Ambient max at 176°F liquid:	176 °F
Maximum operating pressure:	145.04 psi
Flange standard:	USA Oval
Type of connection:	S.S. Flange
Pipe connection:	2 - Bolt Flange
Pressure stage:	10
Port-to-port length:	6 1/2 in
<b>Liquid:</b>	
Pumped liquid:	Water
Liquid temperature range:	35.6 .. 230 °F
Selected liquid temperature:	140 °F
Density:	61.35 lb/ft³
<b>Electrical data:</b>	
Max. power input:	205 W
Main frequency:	60 Hz
Rated voltage:	1 x 230 V
Current in speed 3:	0.8 A
Capacitor size - run:	2.5 µF/380 V
Number of poles:	2
Insulation class (IEC 85):	F
Motor protection:	CONTACT
Thermal protec:	internal
<b>Controls:</b>	
Pos term box:	9H
<b>Others:</b>	
Gross weight:	11.5 lb
Country of origin:	US
Custom tariff no.:	8413.70.2005



**98961739 UP 26-96 SF 60 Hz**



Note! All units are in [in] unless otherwise stated.  
Disclaimer: This simplified dimensional drawing does not show all details.