

PROJECT: _____	UNIT TAG: _____	QUANTITY: _____
REPRESENTATIVE: _____	TYPE OF SERVICE: _____	DATE: _____
ENGINEER: _____	SUBMITTED BY: _____	DATE: _____
CONTRACTOR: _____	APPROVED BY: _____	DATE: _____
	ORDER NO.: _____	DATE: _____

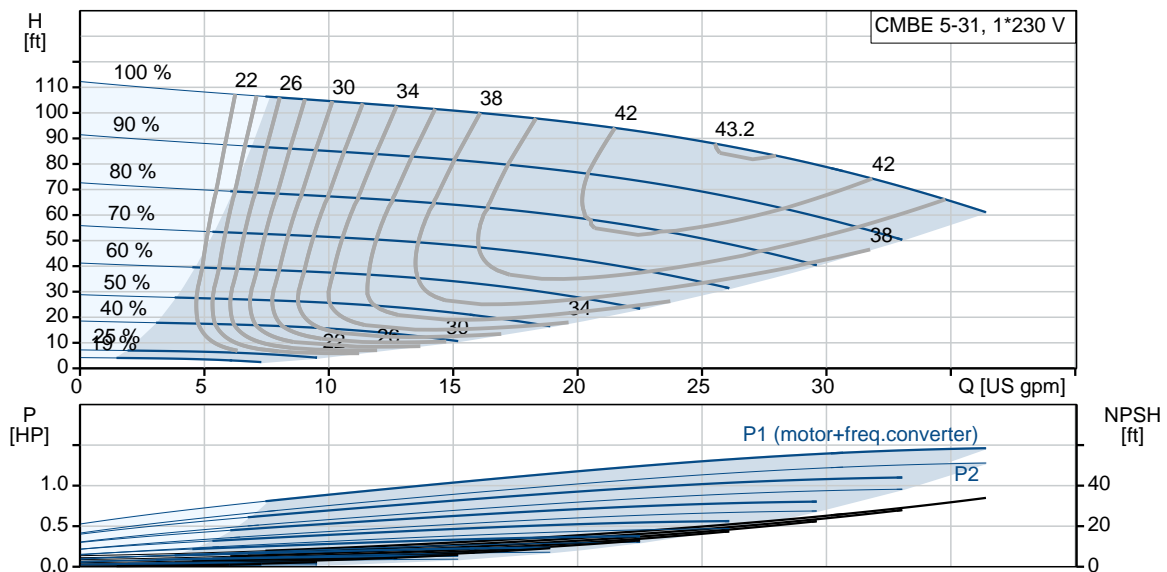


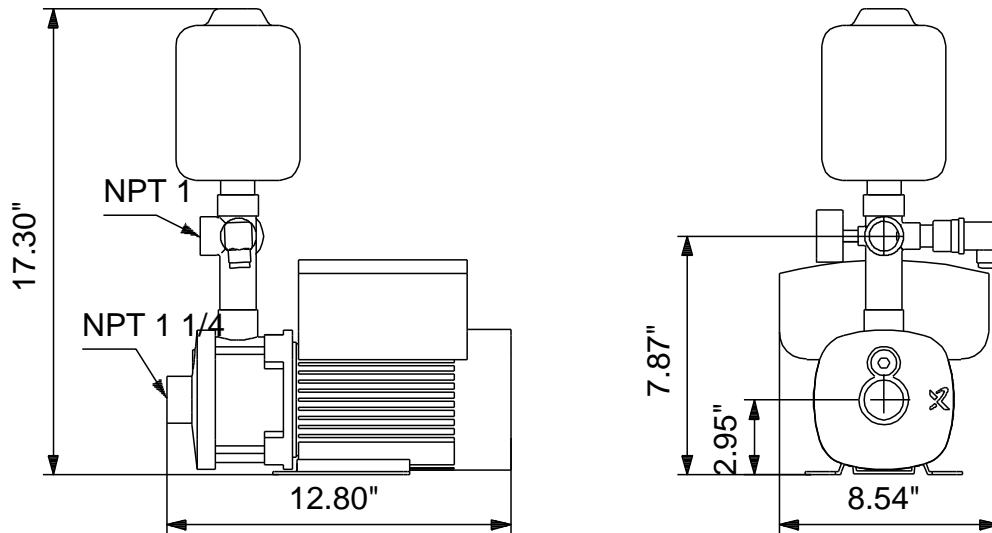
Product photo could vary from the actual product

CMBE 5-31 I-U-C-E-D-F

Compact booster set for water supply in light commercial applications. Pump materials in contact with the liquid are in stainless steel AISI 304 (EN 1.4301)


Conditions of Service	Pump Data	Motor Data
Flow: _____	Liquid temperature range: 32 .. 140 °F	Rated power - P2: 1.5 HP
Head: _____	Maximum ambient temperature: 122 °F	Rated voltage: 200-240 V
Efficiency: _____	Shaft seal: AQQE	Main frequency: 50 / 60 Hz
Liquid: Water	Flange standard: INTERNAL NPT THREAD	Enclosure class: IP55
Temperature: 68 °F	Product number: 98548115	Insulation class: F
NPSH required: ft		
Viscosity: _____		
Specific Gravity: 1.000		





Materials:

- Pump housing: Stainless steel
DIN W.-Nr. 1.4301
AISI 304
- Impeller: Stainless steel
DIN W.-Nr. 1.4301
AISI 304
- Rubber: EPDM

Count	Description														
1	<p data-bbox="288 405 574 443">CMBE 5-31 I-U-C-E-D-F</p> <div data-bbox="411 477 558 694" style="text-align: center;">  </div> <p data-bbox="288 734 568 763">Product No.: 98548115</p> <p data-bbox="288 792 914 1001">The Grundfos CME Booster is a compact booster system for water supply in domestic applications. The integrated speed controller enables the CME Booster to keep constant pressure in the pipe system. A pressure sensor monitoring changes in the water consumption will signal to the speed controller to change the motor speed to adapt performance to the new state.</p> <p data-bbox="288 1003 963 1093">The CME Booster is very easy to install. When the pipework has been installed, it is all a matter of plugging the unit into a socket, and the system is operational.</p> <p data-bbox="288 1095 632 1124">The CME Booster consists of:</p> <ul data-bbox="288 1126 836 1270" style="list-style-type: none"> • CME pump with integrated frequency converter • 5-way valve • expansion tank • pressure gauge • manometer <p data-bbox="288 1301 400 1330">Features</p> <ul data-bbox="288 1332 801 1478" style="list-style-type: none"> • Constant pressure, integrated speed control • compact • robust, stainless steel • easy installation • dry run protection <p data-bbox="288 1509 512 1538">Thermal protection</p> <p data-bbox="288 1541 938 1570">CME Booster pumps require no external motor protection.</p> <p data-bbox="288 1572 892 1662">The MGE motor incorporates thermal protection against slow overloading and blocking (IEC 34.11: TP 211).</p> <p data-bbox="288 1715 384 1744">Liquid:</p> <table data-bbox="288 1747 798 1865"> <tr> <td>Pumped liquid:</td> <td>Water</td> </tr> <tr> <td>Liquid temperature range:</td> <td>32 .. 140 °F</td> </tr> <tr> <td>Selected liquid temperature:</td> <td>68 °F</td> </tr> <tr> <td>Density:</td> <td>62.29 lb/ft³</td> </tr> </table> <p data-bbox="288 1897 426 1926">Technical:</p> <table data-bbox="288 1928 903 2018"> <tr> <td>Pump speed on which pump data is based:</td> <td>3780 rpm</td> </tr> <tr> <td>Rated flow:</td> <td>26.9 US gpm</td> </tr> <tr> <td>Rated head:</td> <td>84.98 ft</td> </tr> </table>	Pumped liquid:	Water	Liquid temperature range:	32 .. 140 °F	Selected liquid temperature:	68 °F	Density:	62.29 lb/ft³	Pump speed on which pump data is based:	3780 rpm	Rated flow:	26.9 US gpm	Rated head:	84.98 ft
Pumped liquid:	Water														
Liquid temperature range:	32 .. 140 °F														
Selected liquid temperature:	68 °F														
Density:	62.29 lb/ft³														
Pump speed on which pump data is based:	3780 rpm														
Rated flow:	26.9 US gpm														
Rated head:	84.98 ft														



Company name: Hurley Engineering
Created by:
Phone:

Date: 5/20/2020

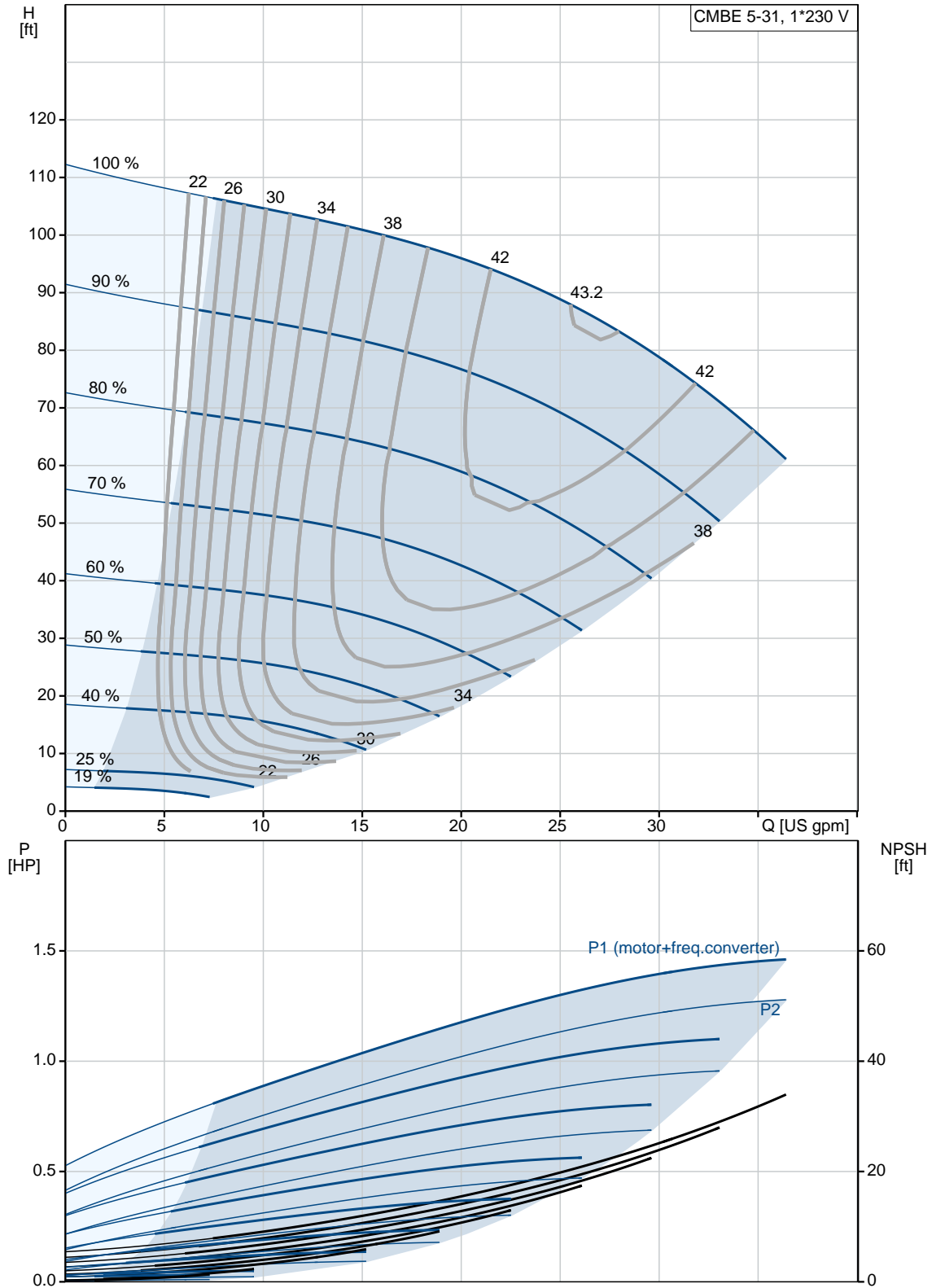
Count	Description
	Primary shaft seal: AQQE Approvals and markings: CE,CULUS Curve tolerance: ISO9906:2012 3B Return valve: YES Start pressure: Integrated Frequency converter
	Materials: Pump housing: Stainless steel DIN W.-Nr. 1.4301 AISI 304 Impeller: Stainless steel DIN W.-Nr. 1.4301 AISI 304 Rubber: EPDM
	Installation: Maximum ambient temperature: 122 °F Flange standard: INTERNAL NPT THREAD Pump inlet: NPT 1 1/4 Pump outlet: NPT 1
	Electrical data: Rated power - P2: 1.5 HP Main frequency: 50 / 60 Hz Rated voltage: 1 x 200-240 V Maximum current consumption: 6.70-5.60 A Rated speed: 360-4000 rpm Enclosure class (IEC 34-5): IP55 Insulation class (IEC 85): F Type of cable plug: NONE Mains cable: NO CABLE m
	Tank: Tank volume: 0.528 gal
	Others: Net weight: 38 lb Gross weight: 60 lb Country of origin: US Custom tariff no.: 8413.70.2040



Company name: Hurley Engineering
Created by:
Phone:

Date: 5/20/2020

98548115 CMBE 5-31 I-U-C-E-D-F

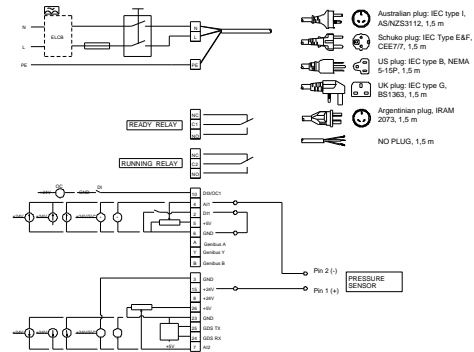
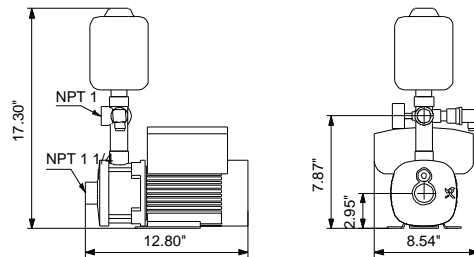
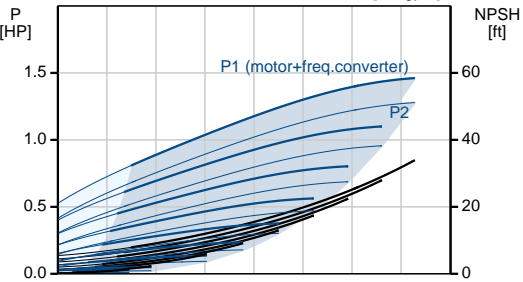
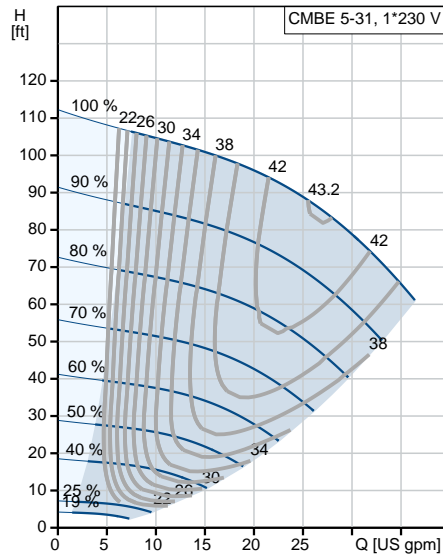




Company name: Hurley Engineering
 Created by:
 Phone:

Date: 5/20/2020

Description	Value
General information:	
Product name:	CMBE 5-31 I-U-C-E-D-F
Product No.:	98548115
EAN:	5711496977527 5711496977527
Technical:	
Pump speed on which pump data is based:	3780 rpm
Rated flow:	26.9 US gpm
Rated head:	84.98 ft
Impellers:	2
Primary shaft seal:	AQQE
Approvals and markings:	CE,CULUS
Curve tolerance:	ISO9906:2012 3B
Model:	A
Return valve:	YES
Start pressure:	Integrated Frequency converter
Materials:	
Pump housing:	Stainless steel DIN W.-Nr. 1.4301 AISI 304
Impeller:	Stainless steel DIN W.-Nr. 1.4301 AISI 304
Rubber:	EPDM
Installation:	
Maximum ambient temperature:	122 °F
Flange standard:	INTERNAL NPT THREAD
Pump inlet:	NPT 1 1/4
Pump outlet:	NPT 1
Liquid:	
Pumped liquid:	Water
Liquid temperature range:	32 .. 140 °F
Selected liquid temperature:	68 °F
Density:	62.29 lb/ft³
Electrical data:	
Rated power - P2:	1.5 HP
Main frequency:	50 / 60 Hz
Rated voltage:	1 x 200-240 V
Maximum current consumption:	6.70-5.60 A
p max system:	145.04 psi
Rated speed:	360-4000 rpm
Enclosure class (IEC 34-5):	IP55
Insulation class (IEC 85):	F
Type of cable plug:	NONE
Mains cable:	NO CABLE m
Tank:	
Tank volume:	0.528 gal
Others:	
Net weight:	38 lb
Gross weight:	60 lb
Config. file no:	95139604



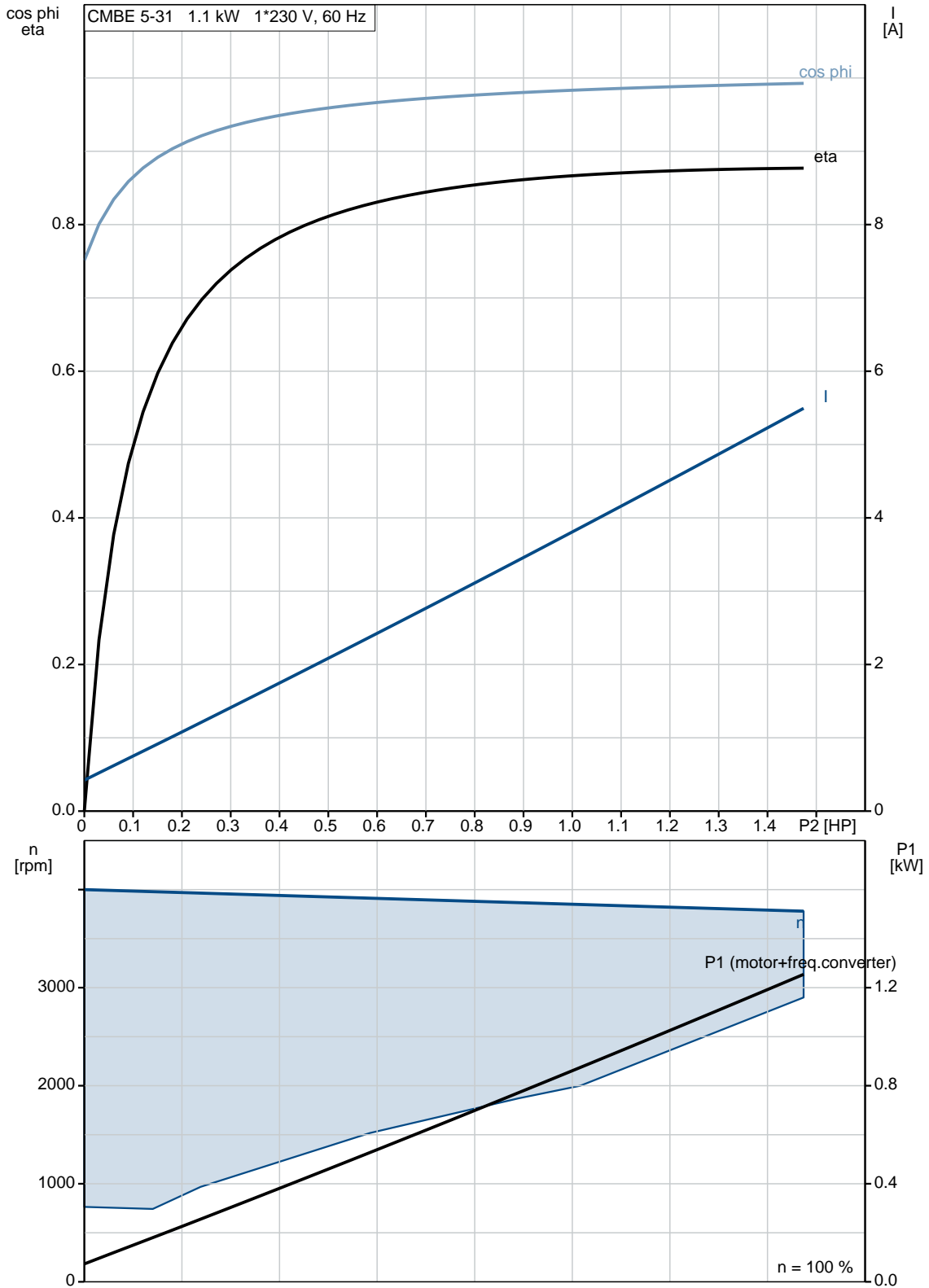


Company name: Hurley Engineering
Created by:
Phone:

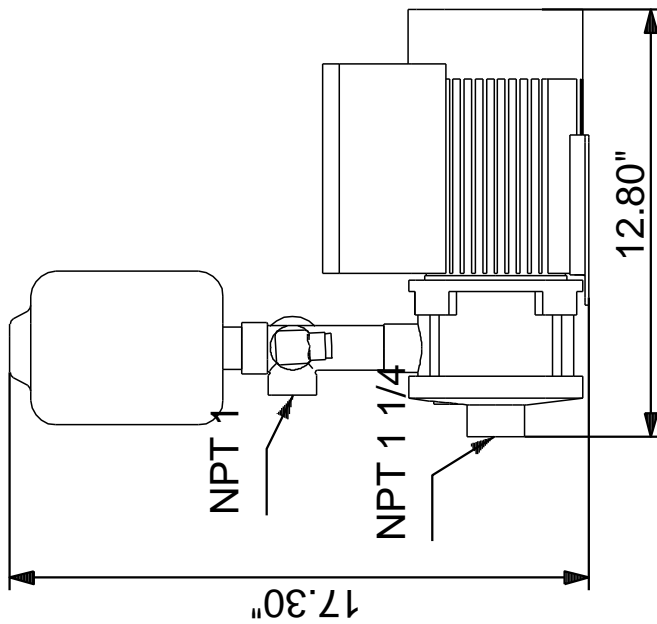
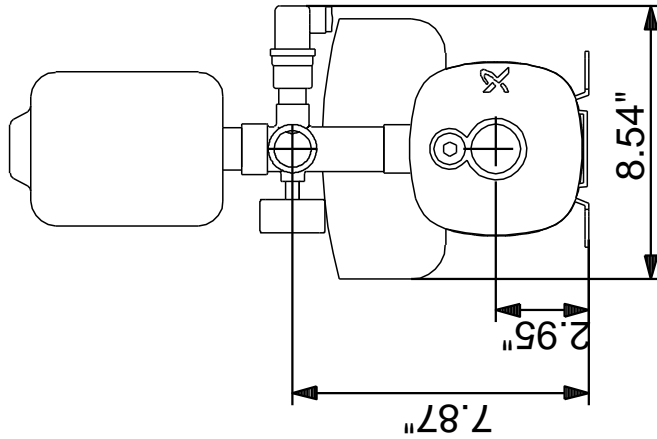
Date: 5/20/2020

Description	Value
Country of origin:	US
Custom tariff no.:	8413.70.2040

98548115 CMBE 5-31 I-U-C-E-D-F

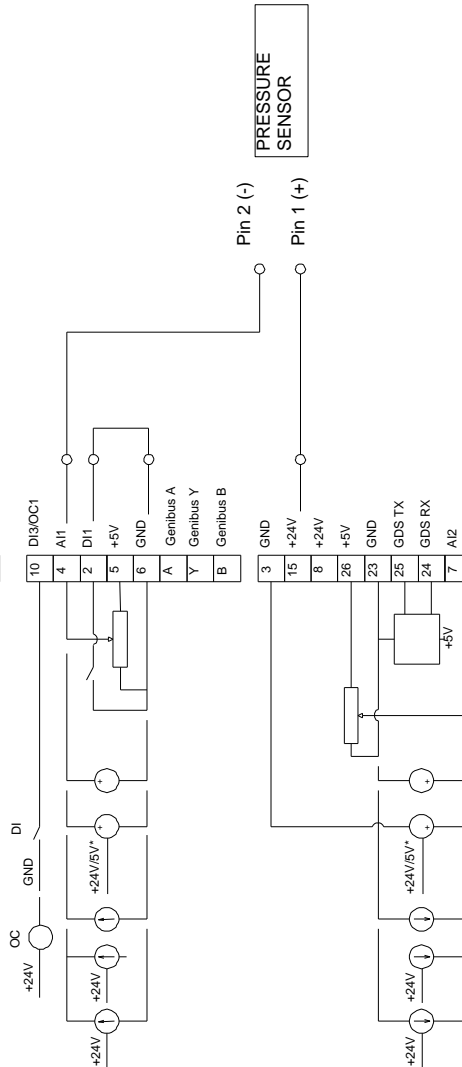
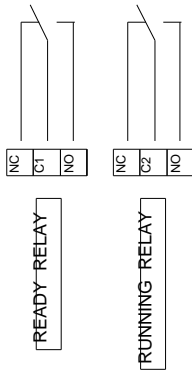
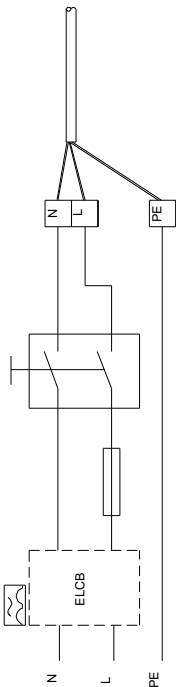
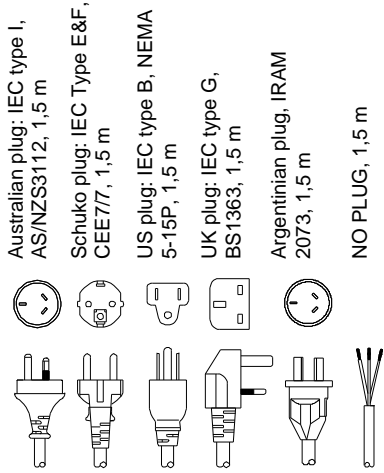


98548115 CMBE 5-31 I-U-C-E-D-F



Note! All units are in [in] unless otherwise stated.
Disclaimer: This simplified dimensional drawing does not show all details.

98548115 CMBE 5-31 I-U-C-E-D-F



All units are [in] unless otherwise presented.



Company name: Hurley Engineering
Created by:
Phone:

Date: 5/20/2020

Order Data:

Product name: CMBE 5-31 I-U-C-E-D-F
Amount: 1
Product No.: 98548115

Total: Price on request
