

PROJECT:	_____	UNIT TAG:	_____	QUANTITY:	_____
REPRESENTATIVE:	Hurley Engineering	TYPE OF SERVICE:	_____	DATE:	_____
ENGINEER:	_____	SUBMITTED BY:	Devin Carle	DATE:	_____
CONTRACTOR:	TBD	APPROVED BY:	_____	DATE:	_____
		ORDER NO.:	_____	DATE:	_____

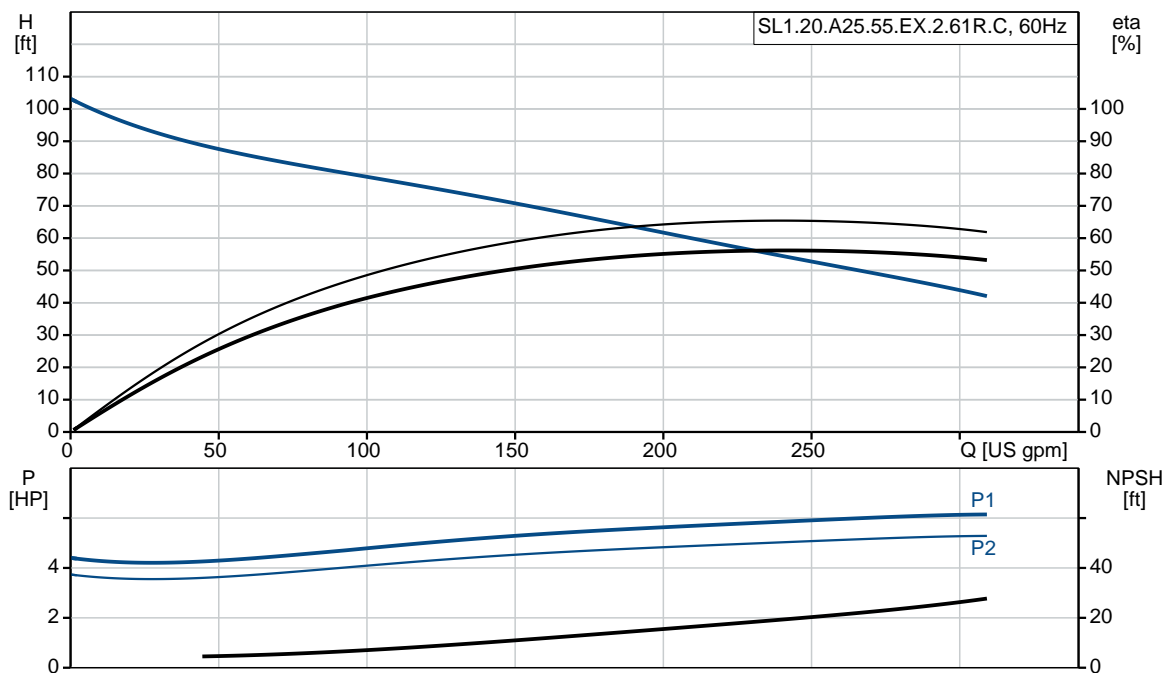
SL1.20.A25.55.EX.2.61R.C

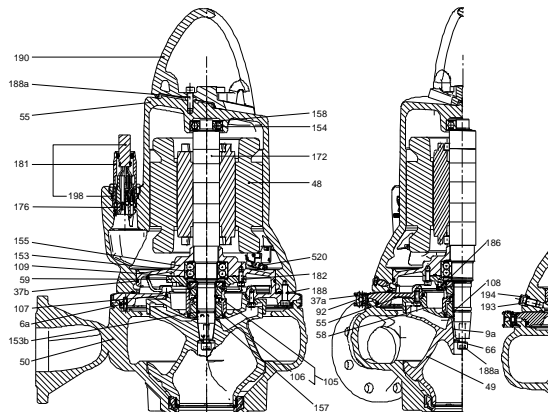
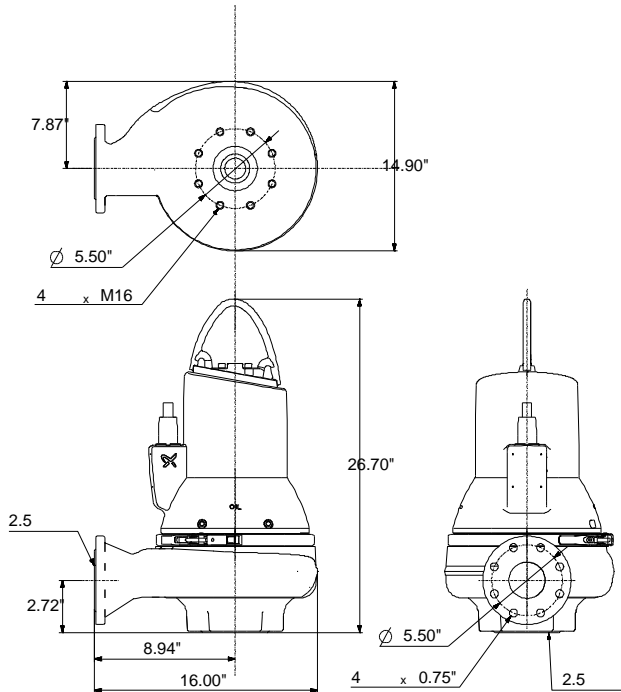
Sewage pumps



Product photo could vary from the actual product

Conditions of Service	Pump Data	Motor Data
Flow: _____	Maximum ambient temperature: 104 °F	Rated voltage: 230/460 V
Head: _____	Approvals: CSA, FM	Main frequency: 60 Hz
Efficiency: _____	Flange standard: ANSI	Number of poles: 2
Liquid: any viscous fluid	Product number: 99030119	Enclosure class: IP68
Temperature: _____		Insulation class: H
NPSH required: ft		Motor protection: THERMAL SWITCH
Viscosity: _____		Motor_efficiency: 86.05 %
Specific Gravity: 1.000		





Materials:

Pump housing: Cast iron
 EN 5.1301 EN-GJL-250
 ASTM A48-250B

Impeller: Cast iron
 EN 5.1301 EN-GJL-250
 ASTM A48-250B

Motor: EN-GJL-250

Count	Description
-------	-------------

1	SL1.20.A25.55.EX.2.61R.C
---	--------------------------



Product photo could vary from the actual product

Product No.: [99030119](#)

Non-self-priming, single-stage, centrifugal pump designed for handling wastewater, process water and unscreened raw sewage.

The pump is designed for intermittent and continuous operations in submerged installation. The revolutionary S-tube® impeller provides free spherical passage of solids up to 1 15/16 in and is suitable for wastewater with a dry matter content of up to 3 %.

A unique stainless-steel clamp assembling system enables quick and easy disassembly of the pump from the motor unit for service and inspection. No special tools are required. Pipework connection is via a ANSI flange.

The pump is explosion-proof.

Controls:

Moisture sensor:	with moisture sensors
Water-in-oil sensor:	without water-in-oil sensor

Liquid:

Pumped liquid:	any viscous fluid
Maximum liquid temperature:	104 °F
Density:	62.29 lb/ft³

Technical:

Type of impeller:	S-TUBE
Maximum particle size:	1 15/16 in
Primary shaft seal:	SIC/SIC
Secondary shaft seal:	CARBON/CERAMICS
Approvals on nameplate:	CSA, FM
Curve tolerance:	ANSI/HI11.6:2012 3B2

Materials:

Pump housing:	Cast iron EN 5.1301 EN-GJL-250 ASTM A48-250B
Impeller:	Cast iron EN 5.1301 EN-GJL-250 ASTM A48-250B
Motor:	EN-GJL-250

Installation:



Company name: Hurley Engineering
Created by:
Phone:

Date: 1/6/2020

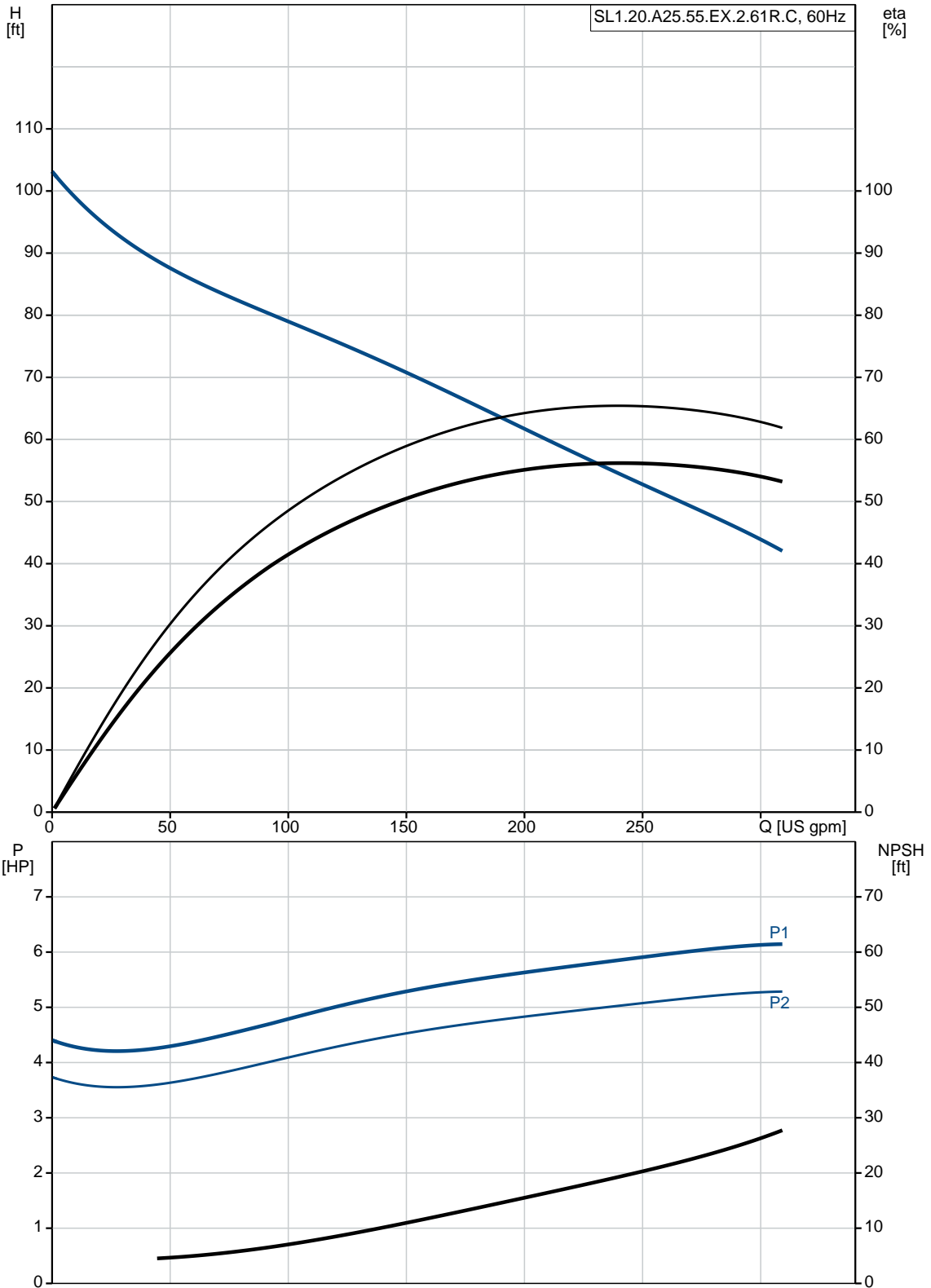
Count	Description
	Maximum ambient temperature: 104 °F Flange standard: ANSI Pump inlet: 65 Pump outlet: 65 Pressure stage: PN 10 Maximum installation depth: 65.6 ft Frame range: C22
	Electrical data: Power input - P1: 5 kW Rated power - P2: 5.5 HP Main frequency: 60 Hz Rated voltage: 3 x 230/460 V Voltage tolerance: +10/-10 % Max starts per. hour: 20 Rated current: 14.4/7.55 A Starting current: 120 A Cos phi - power factor: 0.9 Cos phi - p.f. at 3/4 load: 0.87 Cos phi - p.f. at 1/2 load: 0.8 Rated speed: 3520 rpm Motor efficiency at full load: 86.05 % Motor efficiency at 3/4 load: 85.4 % Motor efficiency at 1/2 load: 82.7 % Number of poles: 2 Start. method: star/delta Enclosure class (IEC 34-5): IP68 Insulation class (IEC 85): H Explosion proof: yes Length of cable: 49 ft Cable type: SEOOW 600V
	Others: Net weight: 286 lb Country of origin: US Custom tariff no.: 8413.70.21



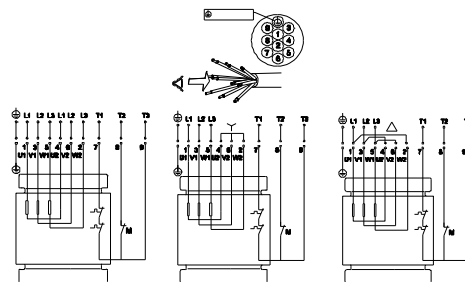
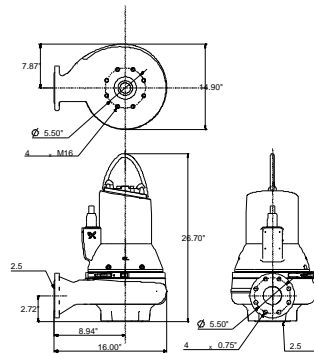
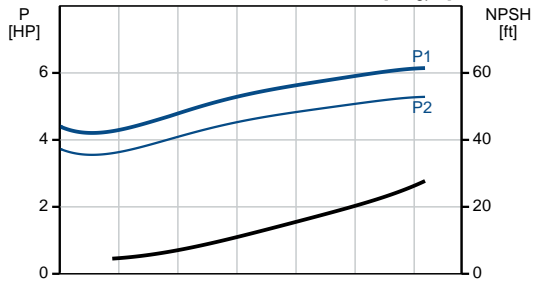
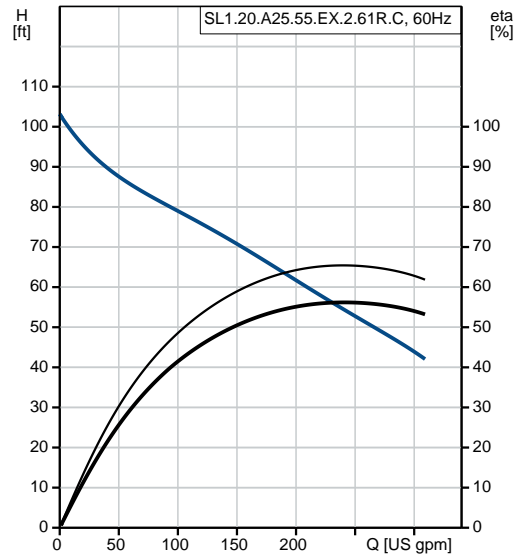
Company name: Hurley Engineering
Created by:
Phone:

Date: 1/6/2020

99030119 SL1.20.A25.55.EX.2.61R.C 60 Hz



Description	Value
General information:	
Product name:	SL1.20.A25.55.EX.2.61R.C
Product No.:	99030119
EAN:	5712605415367
	5712605415367
Price:	\$ 4,767.00
Technical:	
Max flow:	308 US gpm
Head max:	103 ft
Type of impeller:	S-TUBE
Maximum particle size:	1 15/16 in
Primary shaft seal:	SIC/SIC
Secondary shaft seal:	CARBON/CERAMICS
Approvals on nameplate:	CSA, FM
Curve tolerance:	ANSI/HI11.6:2012 3B2
Cooling jacket:	without cooling jacket
Materials:	
Pump housing:	Cast iron
	EN 5.1301 EN-GJL-250
	ASTM A48-250B
Impeller:	Cast iron
	EN 5.1301 EN-GJL-250
	ASTM A48-250B
Motor:	EN-GJL-250
Installation:	
Maximum ambient temperature:	104 °F
Flange standard:	ANSI
Pump inlet:	65
Pump outlet:	65
Pressure stage:	PN 10
Maximum installation depth:	65.6 ft
Inst dry/wet:	SUBMERGED
Installation:	Vertical
Frame range:	C22
Liquid:	
Pumped liquid:	any viscous fluid
Maximum liquid temperature:	104 °F
Density:	62.29 lb/ft ³
Electrical data:	
Power input - P1:	5 kW
Rated power - P2:	5.5 HP
Main frequency:	60 Hz
Rated voltage:	3 x 230/460 V
Voltage tolerance:	+10/-10 %
Max starts per. hour:	20
Rated current:	14.4/7.55 A
Starting current:	120 A
Cos phi - power factor:	0.9
Cos phi - p.f. at 3/4 load:	0.87
Cos phi - p.f. at 1/2 load:	0.8
Rated speed:	3520 rpm
Motor efficiency at full load:	86.05 %



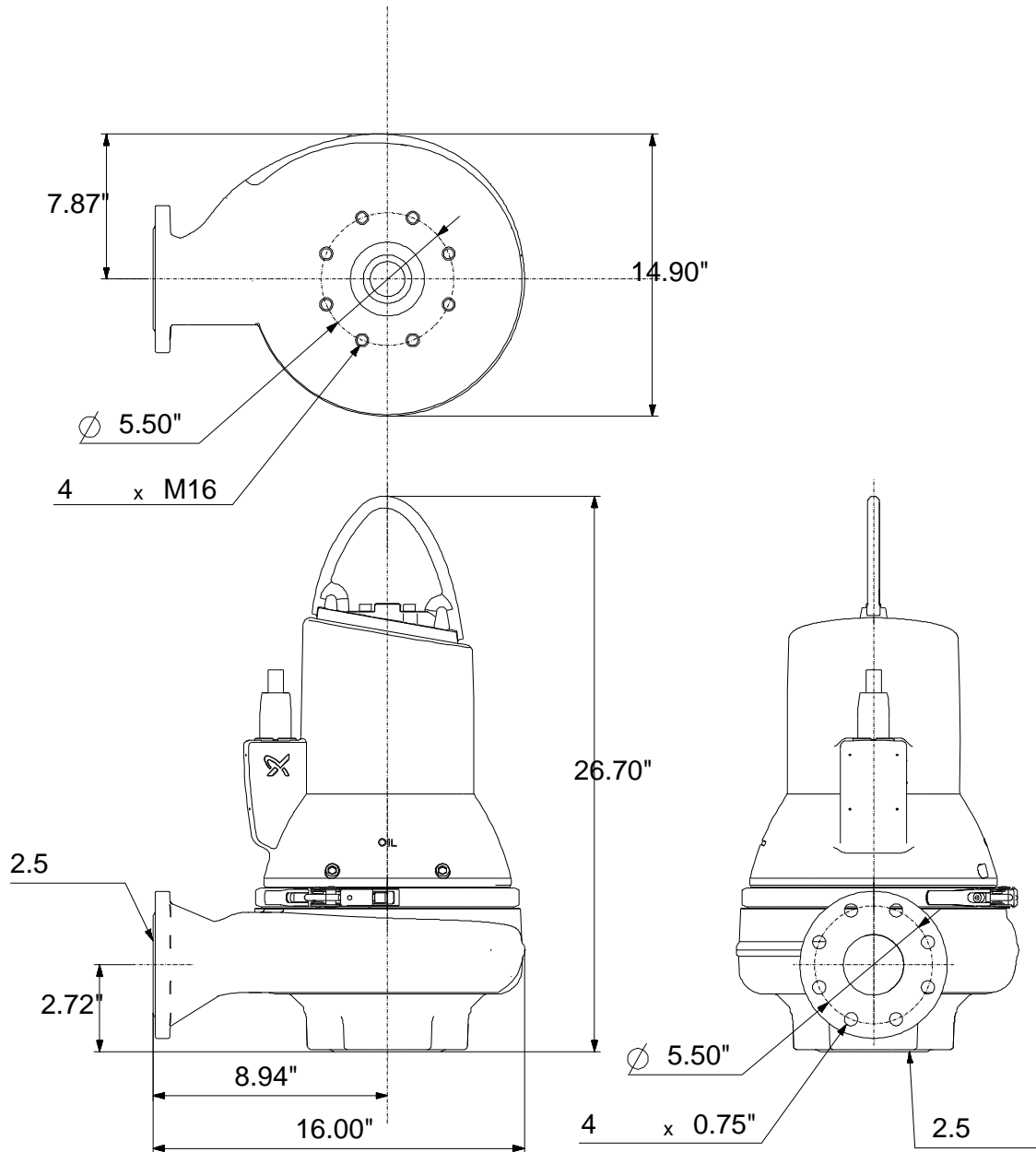


Company name: Hurley Engineering
Created by:
Phone:

Date: 1/6/2020

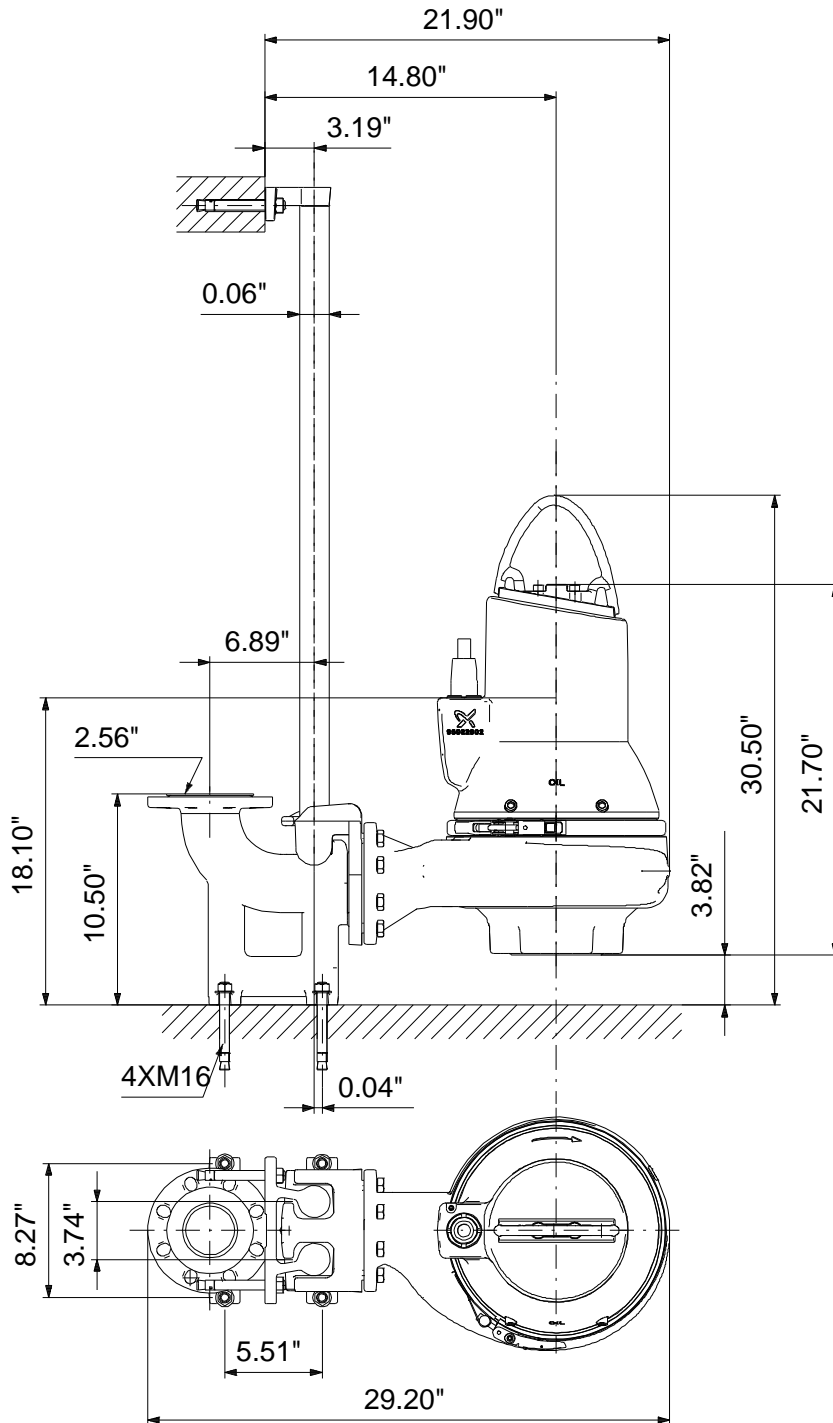
Description	Value
Motor efficiency at 3/4 load:	85.4 %
Motor efficiency at 1/2 load:	82.7 %
Number of poles:	2
Start. method:	star/delta
Enclosure class (IEC 34-5):	IP68
Insulation class (IEC 85):	H
Explosion proof:	yes
Motor protection:	THERMAL SWITCH
Length of cable:	49 ft
Cable type:	SEOOW 600V
Controls:	
Control box:	not included
Moisture sensor:	with moisture sensors
Water-in-oil sensor:	without water-in-oil sensor
Others:	
Net weight:	286 lb
Country of origin:	US
Custom tariff no.:	8413.70.21

99030119 SL1.20.A25.55.EX.2.61R.C 60 Hz



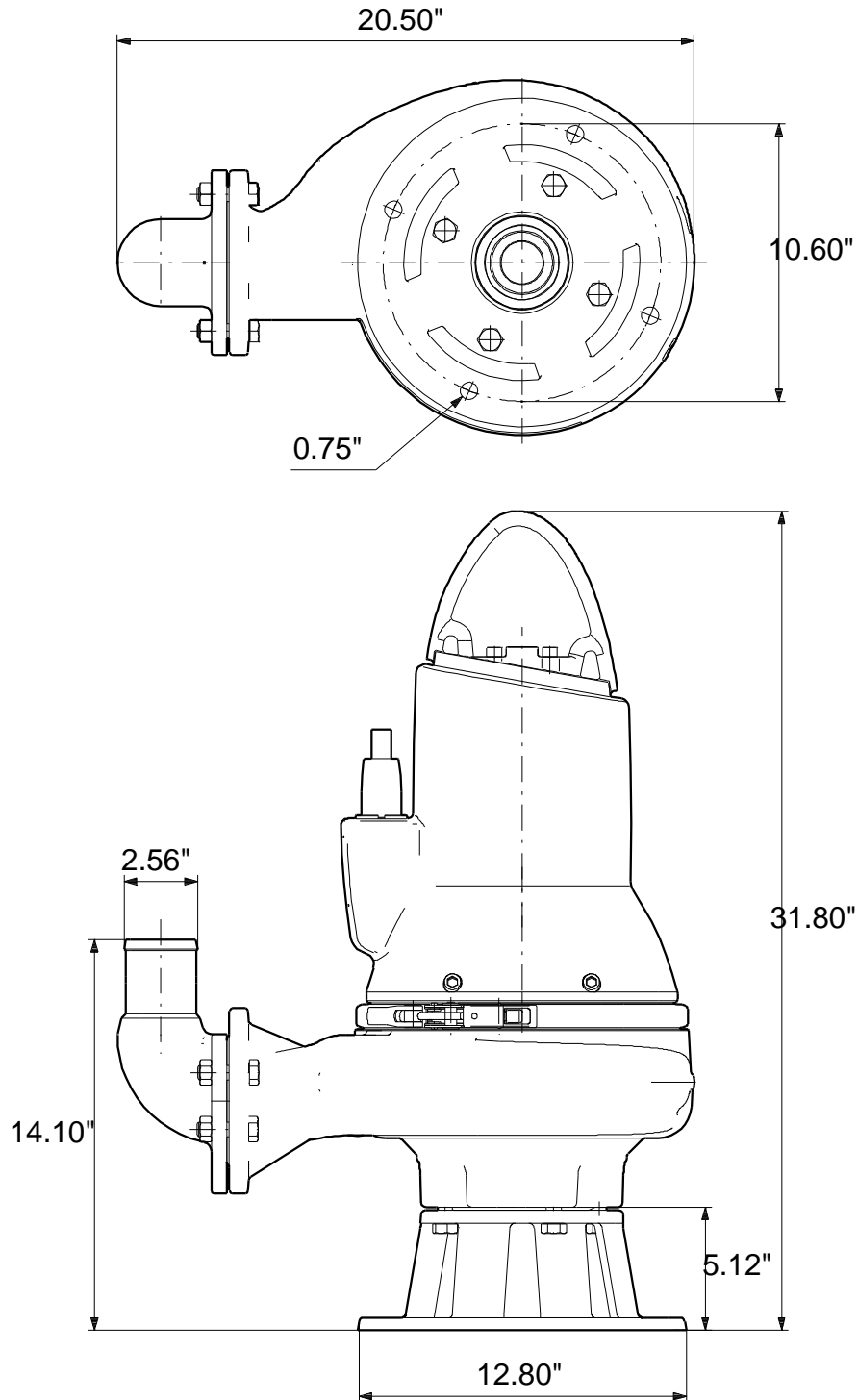
Note! All units are in [in] unless otherwise stated.
 Disclaimer: This simplified dimensional drawing does not show all details.

99030119 SL1.20.A25.55.EX.2.61R.C 60 Hz



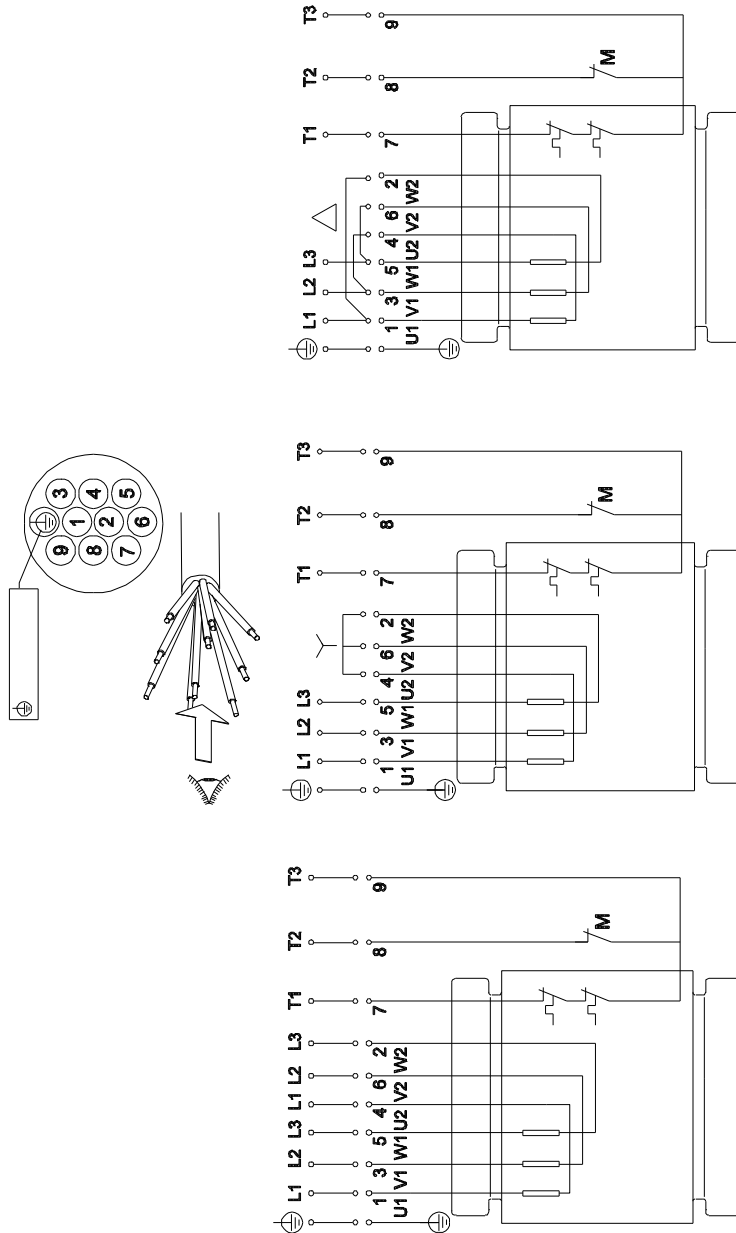
Note! All units are in [in] unless otherwise stated.
Disclaimer: This simplified dimensional drawing does not show all details.

99030119 SL1.20.A25.55.EX.2.61R.C 60 Hz



Note! All units are in [in] unless otherwise stated.
Disclaimer: This simplified dimensional drawing does not show all details.

99030119 SL1.20.A25.55.EX.2.61R.C 60 Hz



All units are [in] unless otherwise presented.