

PROJECT:	_____	UNIT TAG:	_____	QUANTITY:	_____
REPRESENTATIVE:	Hurley Engineering	TYPE OF SERVICE:	_____	DATE:	_____
ENGINEER:	_____	SUBMITTED BY:	Devin Carle	DATE:	_____
CONTRACTOR:	TBD	APPROVED BY:	_____	DATE:	_____
		ORDER NO.:	_____	DATE:	_____

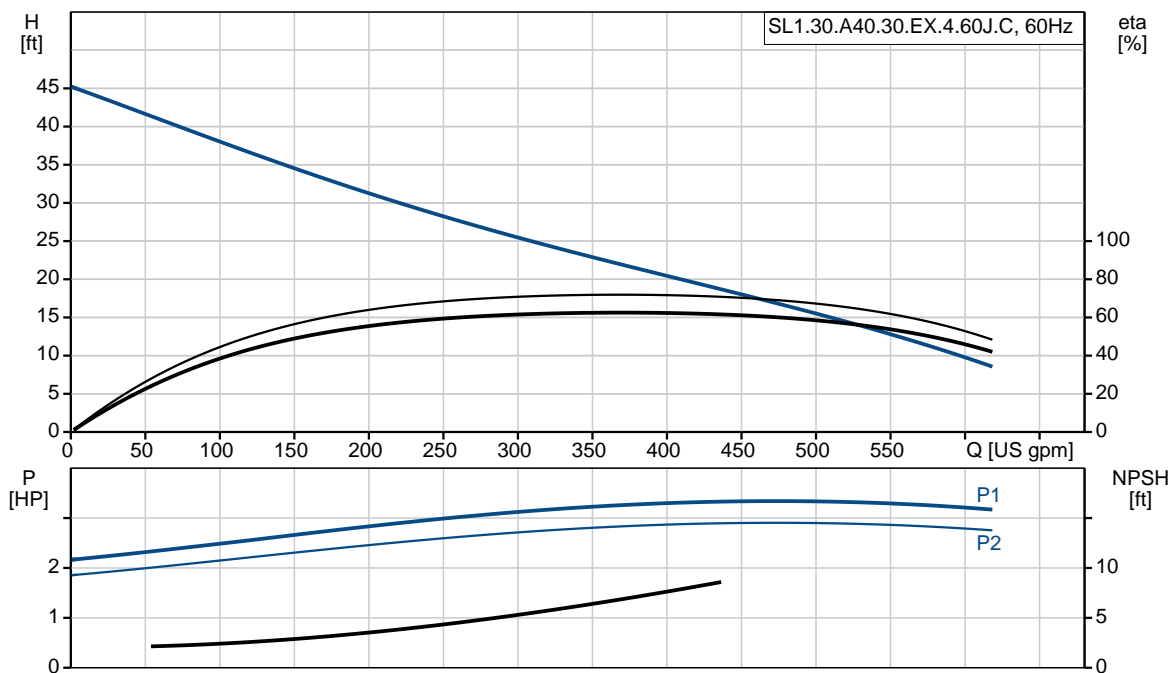
SL1.30.A40.30.EX.4.60J.C

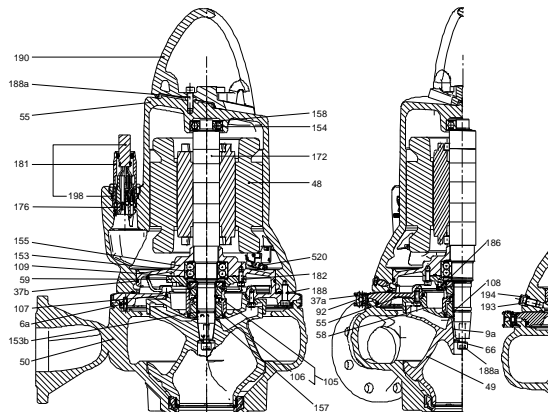
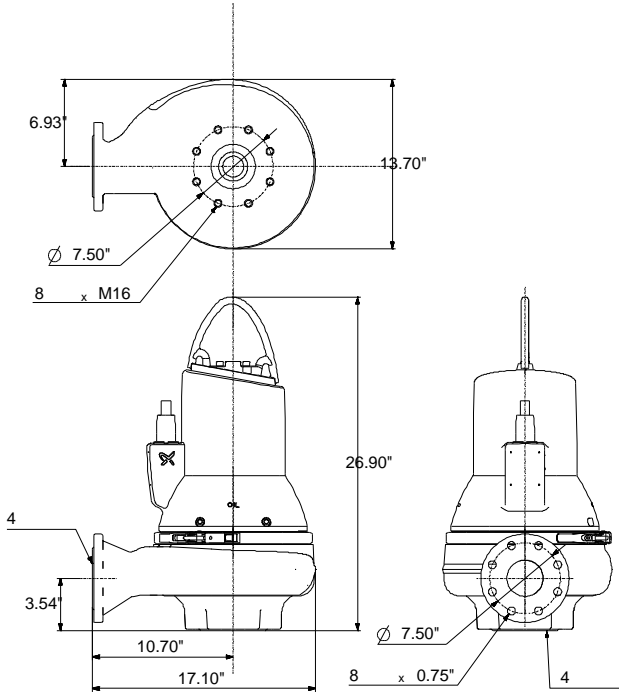
Sewage pumps



Product photo could vary from the actual product

Conditions of Service	Pump Data	Motor Data
Flow: _____	Maximum ambient temperature: 104 °F	Rated voltage: 208-230 V
Head: _____	Approvals: CSA, FM	Main frequency: 60 Hz
Efficiency: _____	Flange standard: ANSI	Number of poles: 4
Liquid: any viscous fluid	Product number: 99034735	Enclosure class: IP68
Temperature: _____		Insulation class: H
NPSH required: ft		Motor protection: THERMAL SWITCH
Viscosity: _____		Motor_efficiency: 87.0 %
Specific Gravity: 1.000		





Materials:

Pump housing: Cast iron
 EN 5.1301 EN-GJL-250
 ASTM A48-250B

Impeller: Cast iron
 EN 5.1301 EN-GJL-250
 ASTM A48-250B

Motor: EN-GJL-250

Count	Description																												
1	<p data-bbox="288 405 606 443">SL1.30.A40.30.EX.4.60J.C</p> <div data-bbox="304 546 678 770" style="text-align: center;">  </div> <p data-bbox="694 846 1153 869" style="text-align: center;">Product photo could vary from the actual product</p> <p data-bbox="288 880 571 902">Product No.: 99034735</p> <p data-bbox="288 936 1374 987">Non-self-priming, single-stage, centrifugal pump designed for handling wastewater, process water and unscreened raw sewage.</p> <p data-bbox="288 996 1334 1070">The pump is designed for intermittent and continuous operations in submerged installation. The revolutionary S-tube® impeller provides free spherical passage of solids up to 3 1/8 in and is suitable for wastewater with a dry matter content of up to 3 %.</p> <p data-bbox="288 1079 1334 1153">A unique stainless-steel clamp assembling system enables quick and easy disassembly of the pump from the motor unit for service and inspection. No special tools are required. Pipework connection is via a ANSI flange.</p> <p data-bbox="288 1164 624 1187">The pump is explosion-proof.</p> <p data-bbox="288 1227 416 1249">Controls:</p> <table data-bbox="288 1256 957 1312"> <tr> <td>Moisture sensor:</td> <td>with moisture sensors</td> </tr> <tr> <td>Water-in-oil sensor:</td> <td>without water-in-oil sensor</td> </tr> </table> <p data-bbox="288 1346 384 1368">Liquid:</p> <table data-bbox="288 1375 850 1462"> <tr> <td>Pumped liquid:</td> <td>any viscous fluid</td> </tr> <tr> <td>Maximum liquid temperature:</td> <td>104 °F</td> </tr> <tr> <td>Density:</td> <td>62.29 lb/ft³</td> </tr> </table> <p data-bbox="288 1496 427 1518">Technical:</p> <table data-bbox="288 1525 919 1697"> <tr> <td>Type of impeller:</td> <td>S-TUBE</td> </tr> <tr> <td>Maximum particle size:</td> <td>3 1/8 in</td> </tr> <tr> <td>Primary shaft seal:</td> <td>SIC/SIC</td> </tr> <tr> <td>Secondary shaft seal:</td> <td>CARBON/CERAMICS</td> </tr> <tr> <td>Approvals on nameplate:</td> <td>CSA, FM</td> </tr> <tr> <td>Curve tolerance:</td> <td>ANSI/HI11.6:2012 3B2</td> </tr> </table> <p data-bbox="288 1731 419 1753">Materials:</p> <table data-bbox="288 1760 930 1966"> <tr> <td>Pump housing:</td> <td>Cast iron EN 5.1301 EN-GJL-250 ASTM A48-250B</td> </tr> <tr> <td>Impeller:</td> <td>Cast iron EN 5.1301 EN-GJL-250 ASTM A48-250B</td> </tr> <tr> <td>Motor:</td> <td>EN-GJL-250</td> </tr> </table> <p data-bbox="288 2000 443 2022">Installation:</p>	Moisture sensor:	with moisture sensors	Water-in-oil sensor:	without water-in-oil sensor	Pumped liquid:	any viscous fluid	Maximum liquid temperature:	104 °F	Density:	62.29 lb/ft³	Type of impeller:	S-TUBE	Maximum particle size:	3 1/8 in	Primary shaft seal:	SIC/SIC	Secondary shaft seal:	CARBON/CERAMICS	Approvals on nameplate:	CSA, FM	Curve tolerance:	ANSI/HI11.6:2012 3B2	Pump housing:	Cast iron EN 5.1301 EN-GJL-250 ASTM A48-250B	Impeller:	Cast iron EN 5.1301 EN-GJL-250 ASTM A48-250B	Motor:	EN-GJL-250
Moisture sensor:	with moisture sensors																												
Water-in-oil sensor:	without water-in-oil sensor																												
Pumped liquid:	any viscous fluid																												
Maximum liquid temperature:	104 °F																												
Density:	62.29 lb/ft³																												
Type of impeller:	S-TUBE																												
Maximum particle size:	3 1/8 in																												
Primary shaft seal:	SIC/SIC																												
Secondary shaft seal:	CARBON/CERAMICS																												
Approvals on nameplate:	CSA, FM																												
Curve tolerance:	ANSI/HI11.6:2012 3B2																												
Pump housing:	Cast iron EN 5.1301 EN-GJL-250 ASTM A48-250B																												
Impeller:	Cast iron EN 5.1301 EN-GJL-250 ASTM A48-250B																												
Motor:	EN-GJL-250																												



Company name: Hurley Engineering
Created by:
Phone:

Date: 1/6/2020

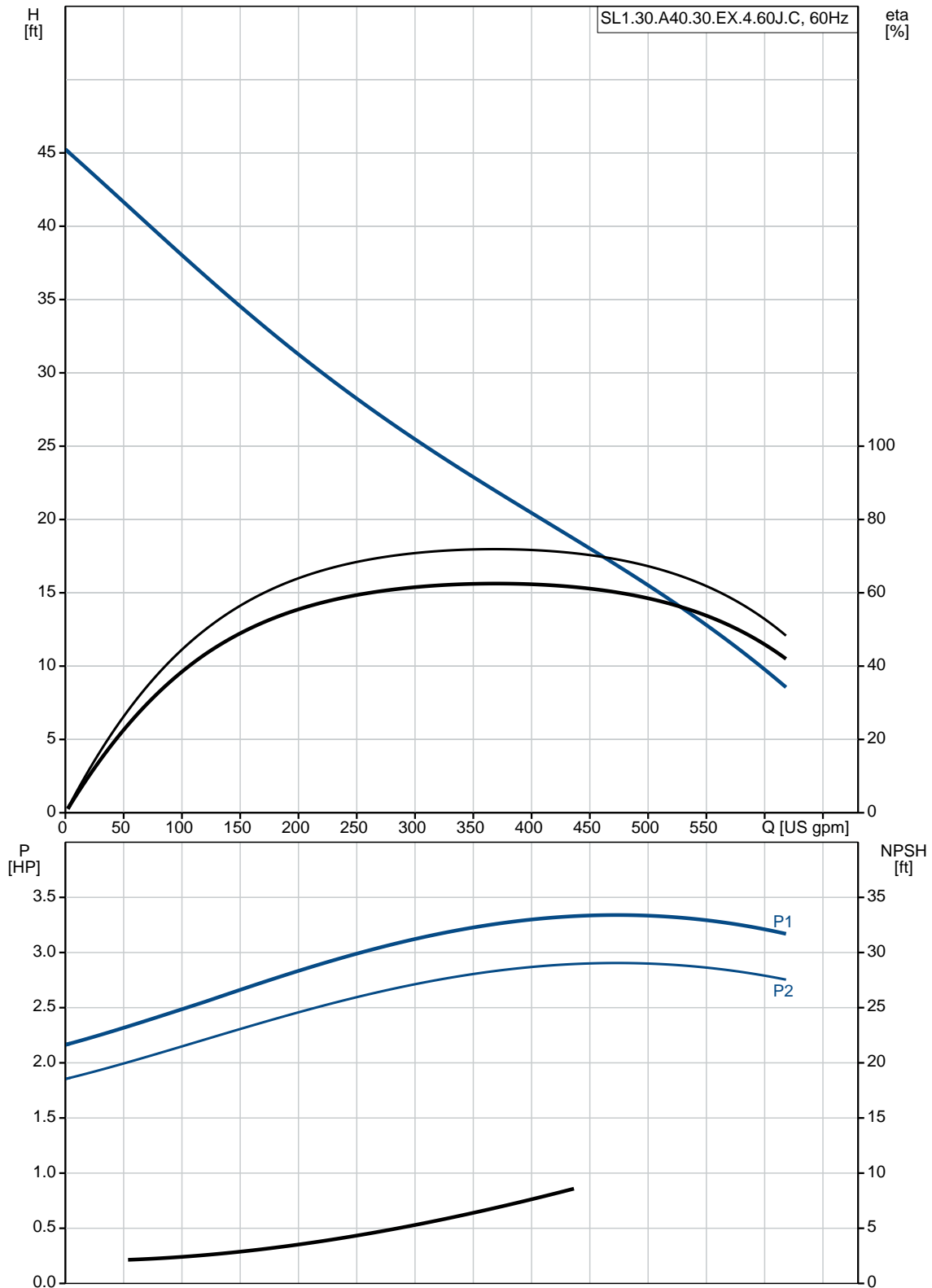
Count	Description
	Maximum ambient temperature: 104 °F Flange standard: ANSI Pump inlet: 100 Pump outlet: 100 Pressure stage: PN 10 Maximum installation depth: 65.6 ft Frame range: B
	Electrical data: Power input - P1: 2.7 kW Rated power - P2: 3 HP Main frequency: 60 Hz Rated voltage: 3 x 208-230 V Voltage tolerance: +10/-10 % Max starts per. hour: 20 Rated current: 9.8-10.6 A Starting current: 70.3 A Cos phi - power factor: 0.76 Cos phi - p.f. at 3/4 load: 0.70 Cos phi - p.f. at 1/2 load: 0.59 Rated speed: 1761 rpm Motor efficiency at full load: 87.0 % Motor efficiency at 3/4 load: 86.6 % Motor efficiency at 1/2 load: 84.7 % Number of poles: 4 Start. method: direct-on-line Enclosure class (IEC 34-5): IP68 Insulation class (IEC 85): H Explosion proof: yes Length of cable: 49 ft Cable type: SEOOW 600V
	Others: Net weight: 242 lb



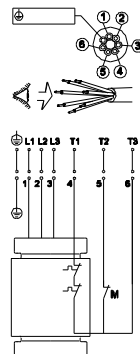
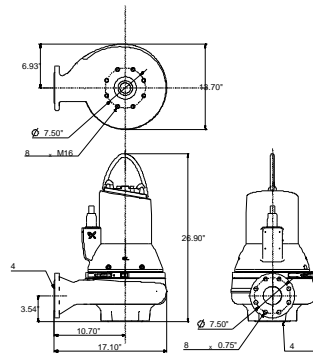
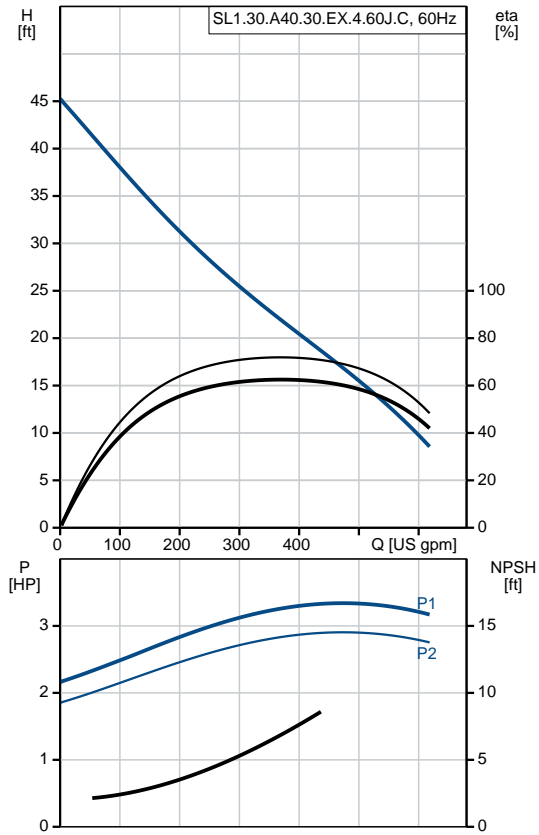
Company name: Hurley Engineering
Created by:
Phone:

Date: 1/6/2020

99034735 SL1.30.A40.30.EX.4.60J.C 60 Hz



Description	Value
General information:	
Product name:	SL1.30.A40.30.EX.4.60J.C
Product No.:	99034735
EAN:	5712605504504
	5712605504504
Technical:	
Max flow:	616 US gpm
Head max:	45.28 ft
Type of impeller:	S-TUBE
Maximum particle size:	3 1/8 in
Primary shaft seal:	SIC/SIC
Secondary shaft seal:	CARBON/CERAMICS
Approvals on nameplate:	CSA, FM
Curve tolerance:	ANSI/HI11.6:2012 3B2
Cooling jacket:	without cooling jacket
Materials:	
Pump housing:	Cast iron
	EN 5.1301 EN-GJL-250
	ASTM A48-250B
Impeller:	Cast iron
	EN 5.1301 EN-GJL-250
	ASTM A48-250B
Motor:	EN-GJL-250
Installation:	
Maximum ambient temperature:	104 °F
Flange standard:	ANSI
Pump inlet:	100
Pump outlet:	100
Pressure stage:	PN 10
Maximum installation depth:	65.6 ft
Inst dry/wet:	SUBMERGED
Installation:	Vertical
Frame range:	B
Liquid:	
Pumped liquid:	any viscous fluid
Maximum liquid temperature:	104 °F
Density:	62.29 lb/ft ³
Electrical data:	
Power input - P1:	2.7 kW
Rated power - P2:	3 HP
Main frequency:	60 Hz
Rated voltage:	3 x 208-230 V
Voltage tolerance:	+10/-10 %
Max starts per. hour:	20
Rated current:	9.8-10.6 A
Starting current:	70.3 A
Cos phi - power factor:	0.76
Cos phi - p.f. at 3/4 load:	0.70
Cos phi - p.f. at 1/2 load:	0.59
Rated speed:	1761 rpm
Motor efficiency at full load:	87.0 %
Motor efficiency at 3/4 load:	86.6 %



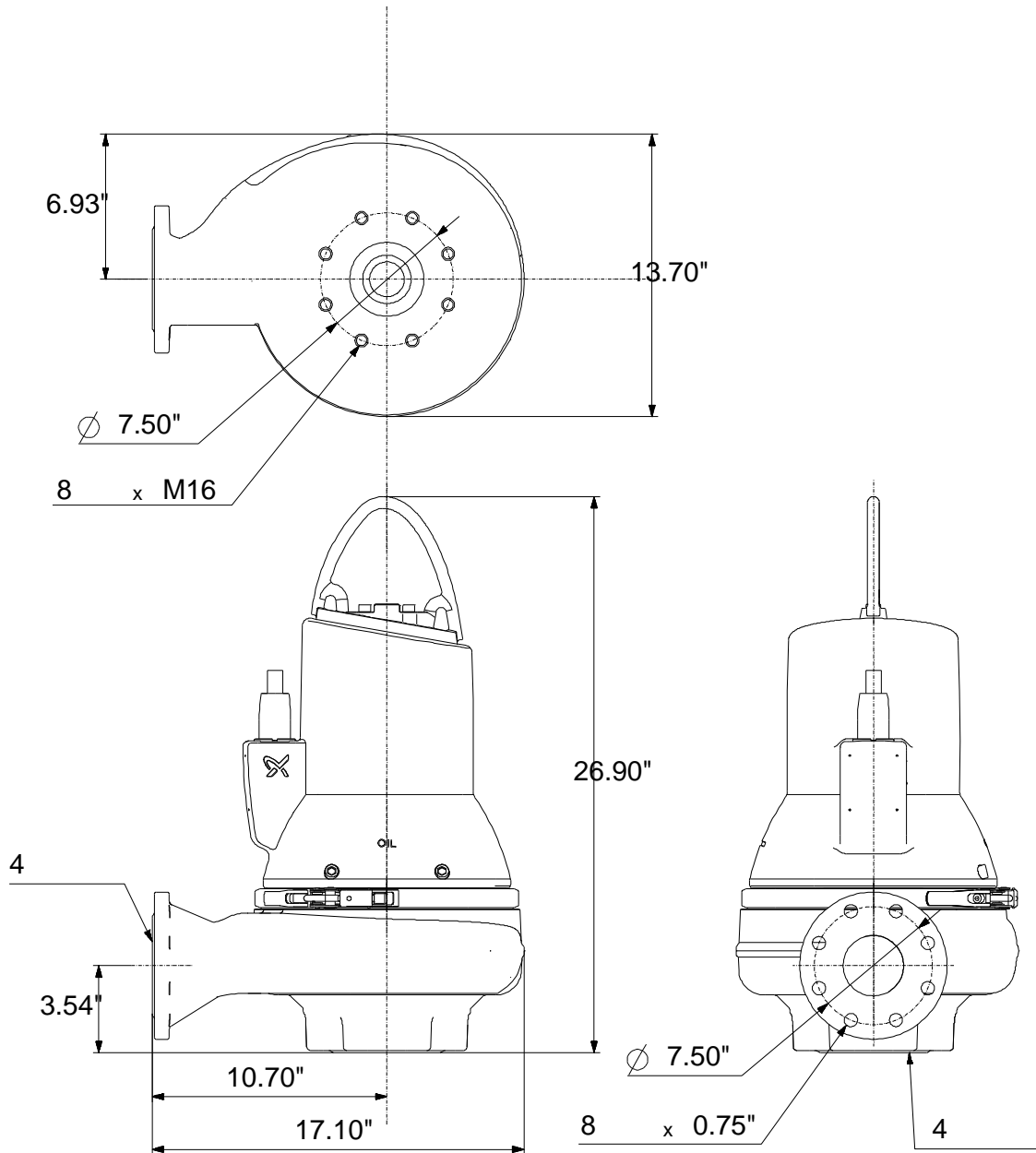


Company name: Hurley Engineering
Created by:
Phone:

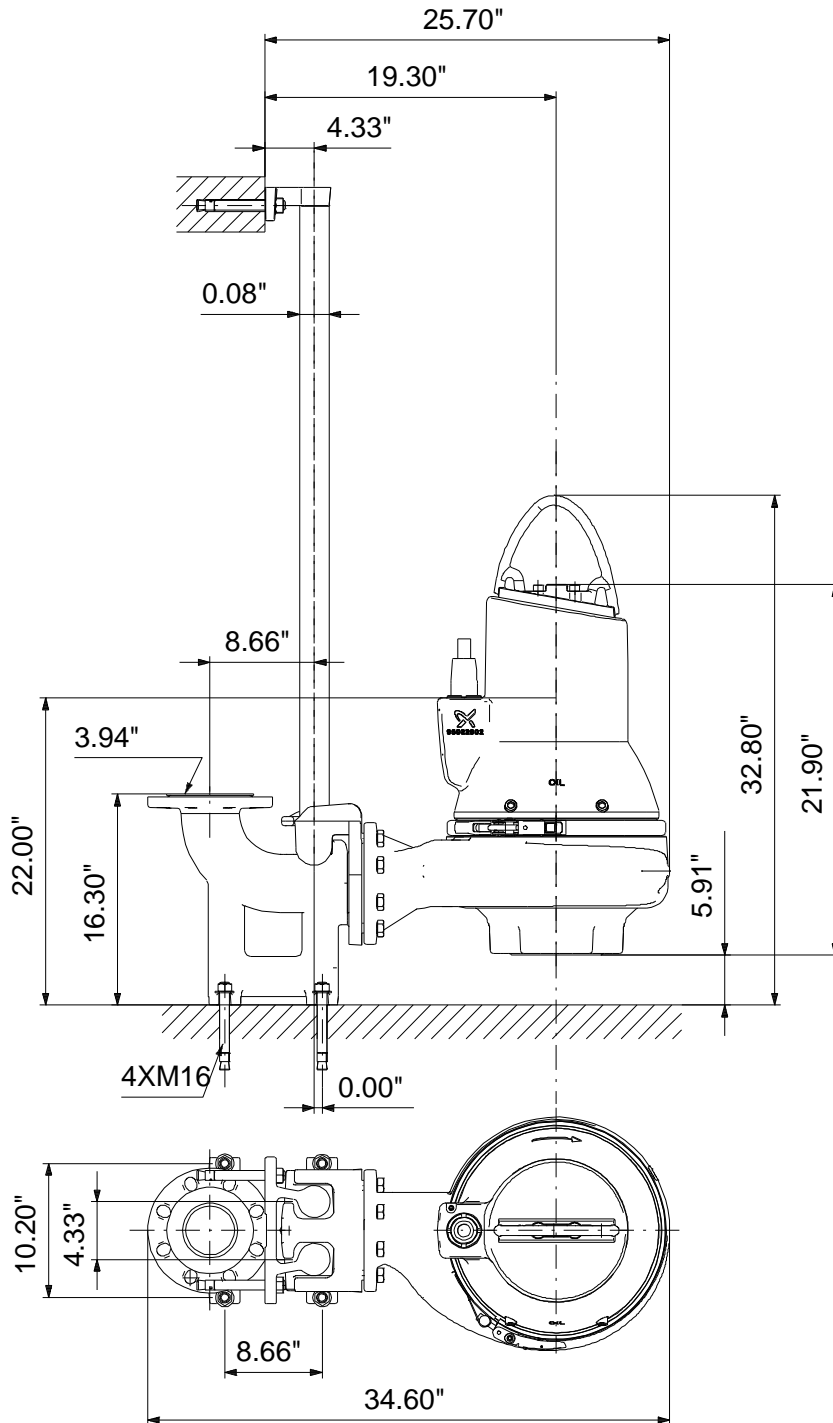
Date: 1/6/2020

Description	Value
Motor efficiency at 1/2 load:	84.7 %
Number of poles:	4
Start. method:	direct-on-line
Enclosure class (IEC 34-5):	IP68
Insulation class (IEC 85):	H
Explosion proof:	yes
Motor protection:	THERMAL SWITCH
Length of cable:	49 ft
Cable type:	SEOOW 600V
Controls:	
Control box:	not included
Moisture sensor:	with moisture sensors
Water-in-oil sensor:	without water-in-oil sensor
Others:	
Net weight:	242 lb

99034735 SL1.30.A40.30.EX.4.60J.C 60 Hz

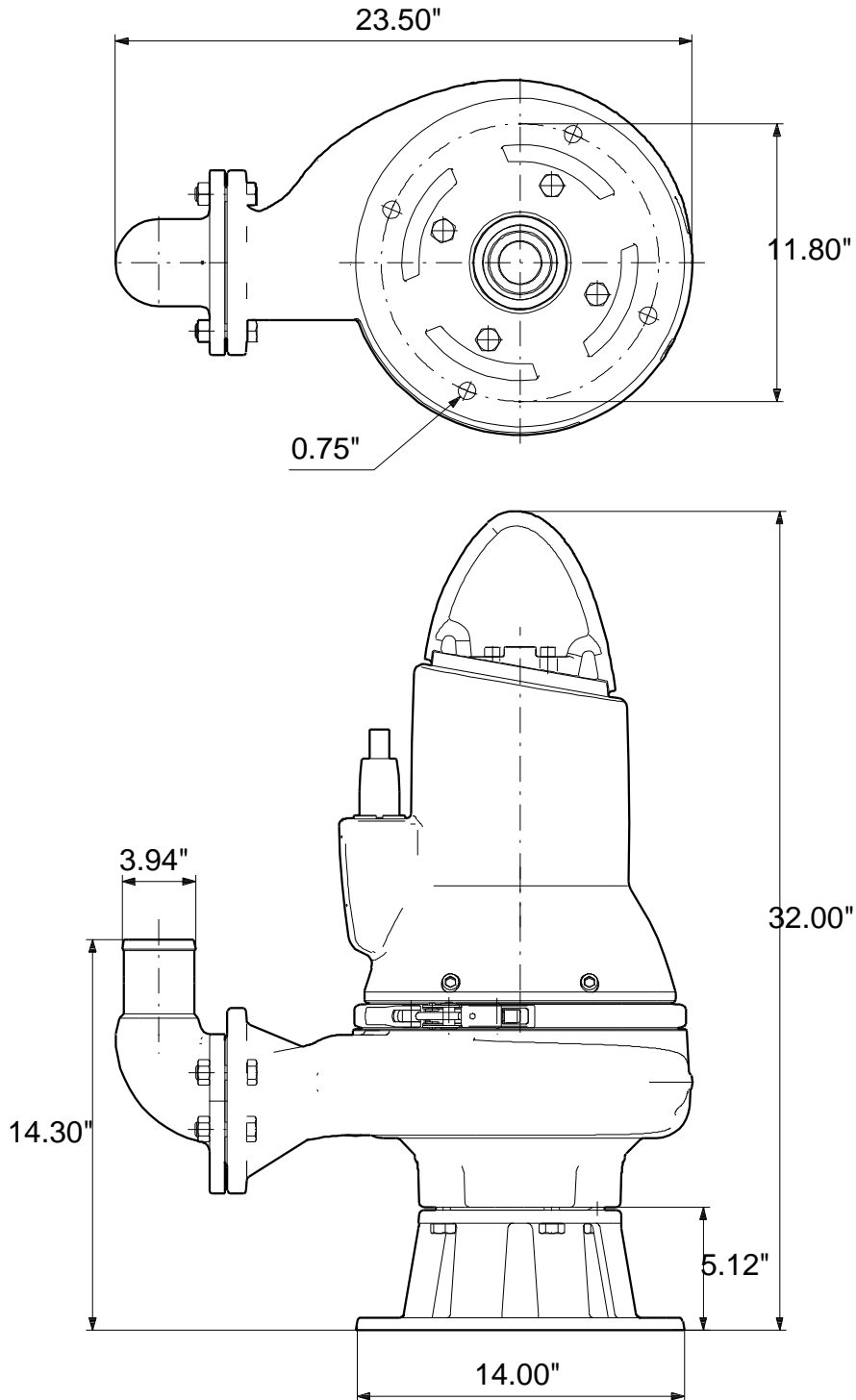


99034735 SL1.30.A40.30.EX.4.60J.C 60 Hz



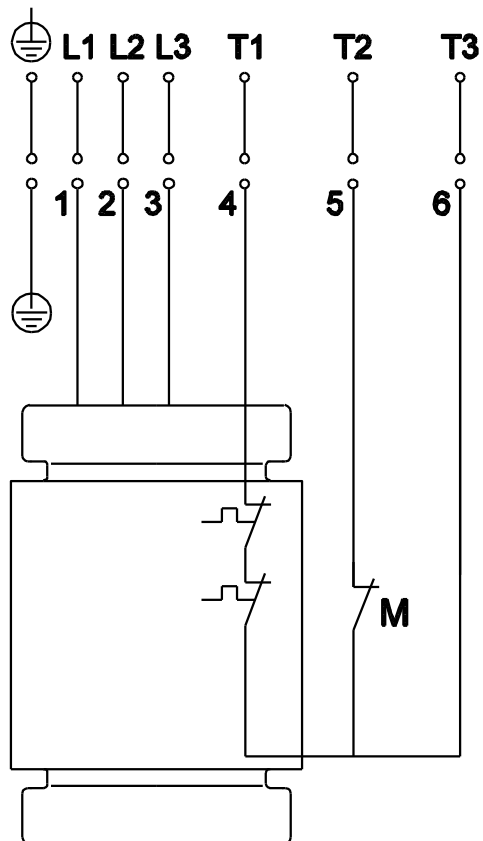
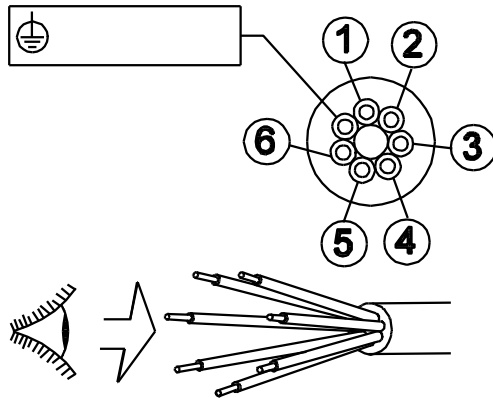
Note! All units are in [in] unless otherwise stated.
 Disclaimer: This simplified dimensional drawing does not show all details.

99034735 SL1.30.A40.30.EX.4.60J.C 60 Hz



Note! All units are in [in] unless otherwise stated.
Disclaimer: This simplified dimensional drawing does not show all details.

99034735 SL1.30.A40.30.EX.4.60J.C 60 Hz



All units are [in] unless otherwise presented.