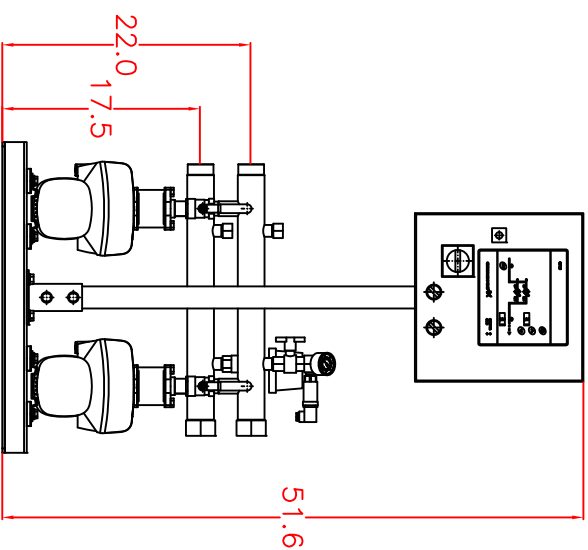
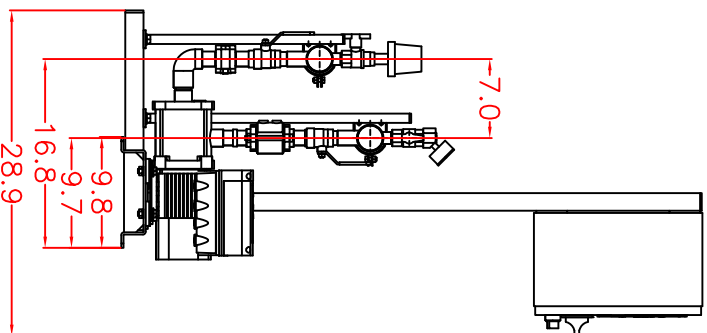
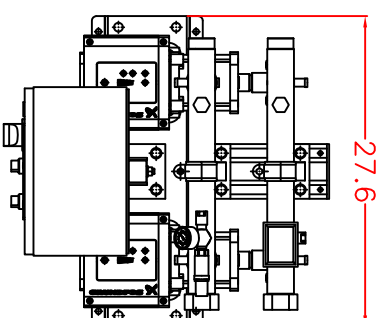


1. Manifolds 2" NPT AISI 316SS Schedule 10s ASTM A312 or $\phi 60.3\text{mm}$ x2mm
 2. Base/Frame AISI 304SS
 3. Full port ball valve ASTM
 4. UL Type 3R rated electrical panel
- Note: panel size will vary with options



HURLEY ENGINEERING

MANUFACTURERS REPRESENTATIVES



Model:	Hydro Multi-B/E 2CME3-5 1.5hp		
Power:	208-230/1/60		
Job:			
Dwg No:	Rev: 0	Date: 2-21-14	Drawer: BSJ
			Page: 1 of 1

Note:
 All dimensions are $\pm 1"$
 Not for construction use.
 All dimensions subject to change
 without notice.

