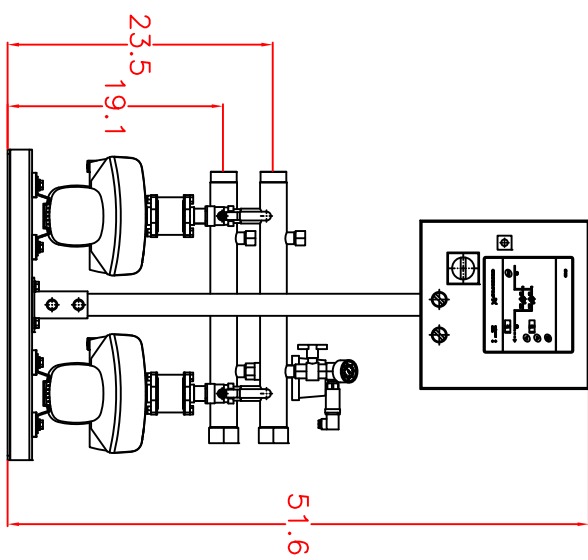
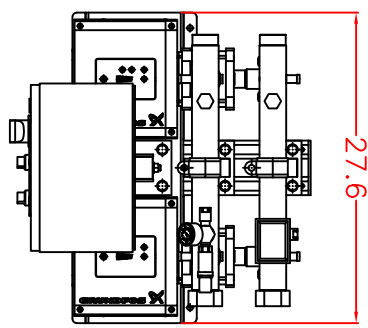
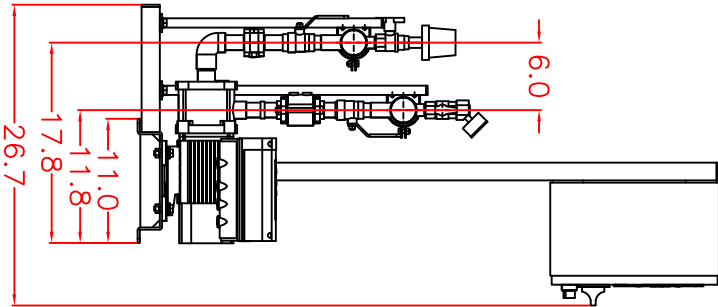


1. Manifolds 2" NPT AISI 316SS Schedule 10s ASTM A312 or  $\phi 60.3\text{mm}$  x2mm
2. Base/Frame AISI 304SS
3. Full port ball valve ASTM
4. UL Type 3R rated electrical panel
5. Normal/Emergency Switches on front door



**HURLEY ENGINEERING**  
MANUFACTURERS REPRESENTATIVES



Model:	Hydro Multi-B/E 2CME5-4 2hp		
Power:	208-230/3/60		
Job:			
Dwg No:	Rev: 0	Date: 2-21-14	Drawer: BSJ
			Page: 1 of 1

Note:  
All dimensions are  $\pm 1"$   
Not for construction use.  
All dimensions subject to change  
without notice.

