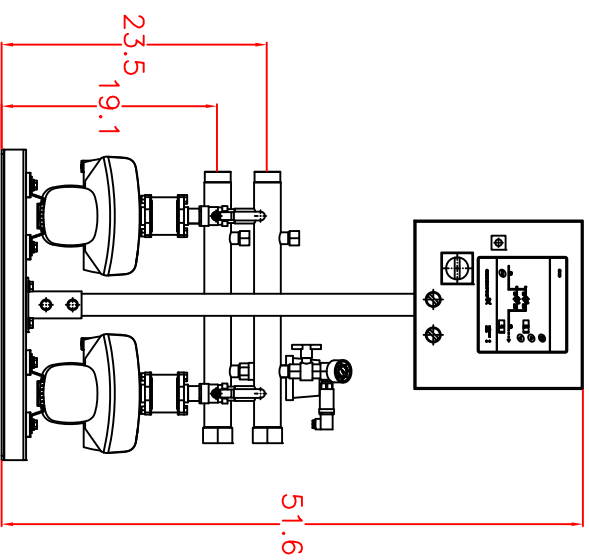
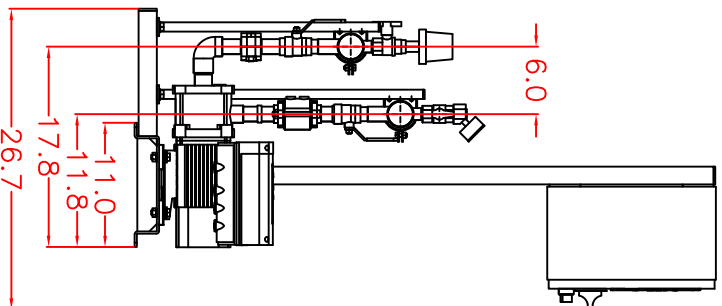
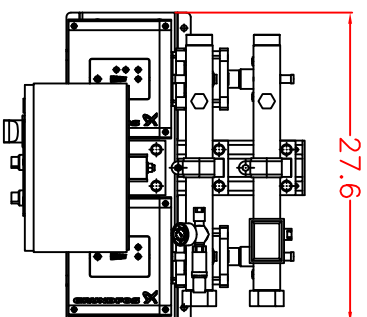


1. Manifolds 2" NPT AISI 316SS Schedule 10s ASTM A312 or $\phi 60.3\text{mm}$ x2mm
2. Base/Frame AISI 304SS
3. Full port ball valve ASTM
4. UL Type 3R rated electrical panel
5. Normal/Emergency Switches on front door



| | | | |
|---------|-----------------------------|---------------|--------------|
| Model: | Hydro Multi-B/E 2CME5-4 2hp | | |
| Power: | 460/3/60 | | |
| Job: | | | |
| Dwg No: | Rev: 0 | Date: 2-21-14 | Drawer: BSJ |
| | | | Page: 1 of 1 |

Note:
 All dimensions are $\pm 1"$
 Not for construction use.
 All dimensions subject to change
 without notice.

