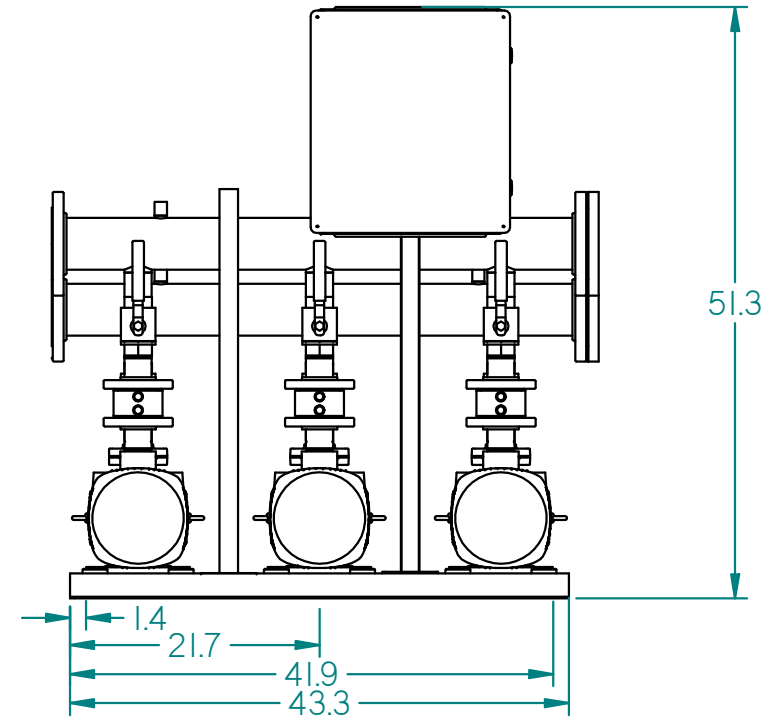
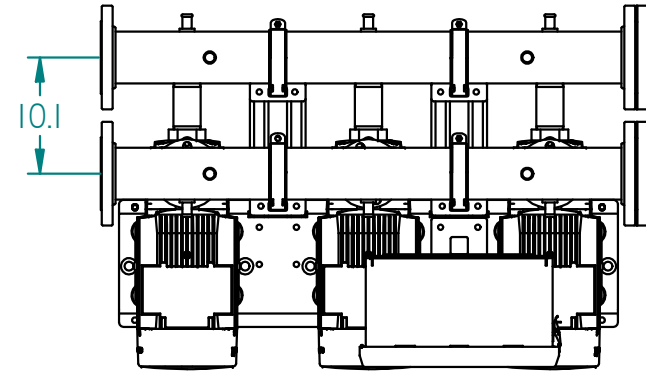
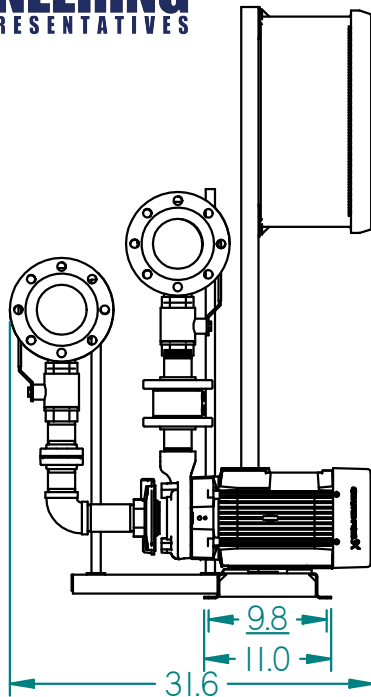


1. Manifolds 4" ANSI Class 150 AISI 316SS
Schedule 10s ASTM A312 or $\varnothing 114.3\text{mm} \times 2\text{mm}$.
2. Base/Frame AISI 304SS
3. 2" NPT Ball Valve for pump isolation.
4. UL Type 12 rated electrical panel. Panel size may vary.



HURLEY ENGINEERING
MANUFACTURERS REPRESENTATIVES



GRUNDFOS 
FRESNO, CALIFORNIA 93727 USA

Note:
All dimensions are $\pm 0.5"$
Not for construction use.
All dimensions subject to change
without notice.

BoosterpaQ Model: Hydro Multi-B/E 3CME25-1

Power: 5HP 3x208V 60 HZ

Job:

Dwg No:	Rev: 0	Date: 02/01/2016	Drawer: 58847	Page: 1 of 1
---------	--------	------------------	---------------	--------------