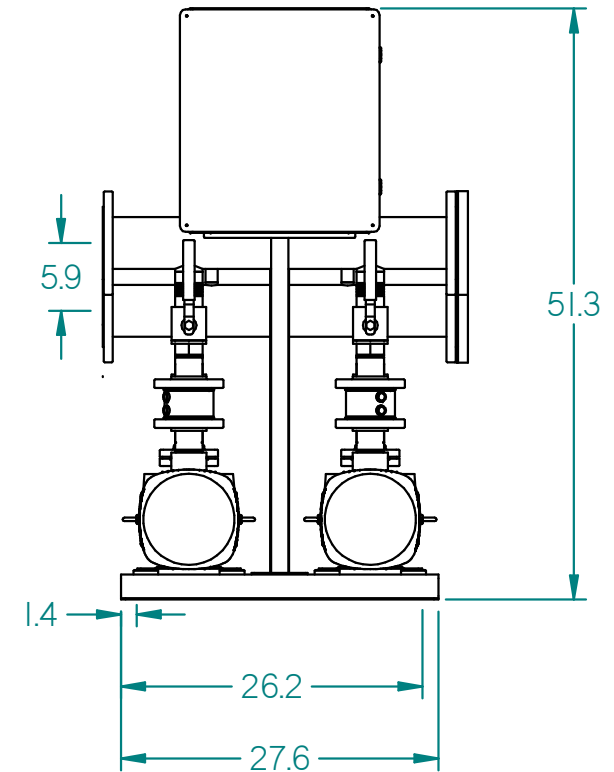
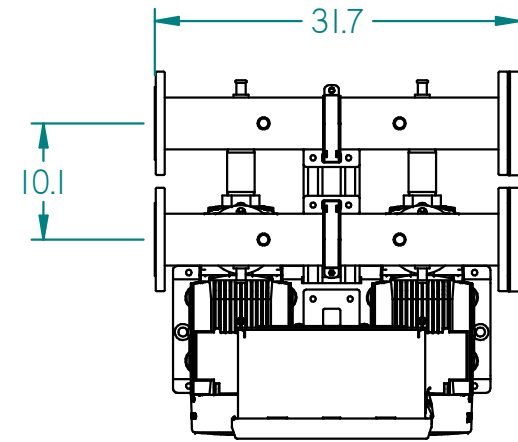
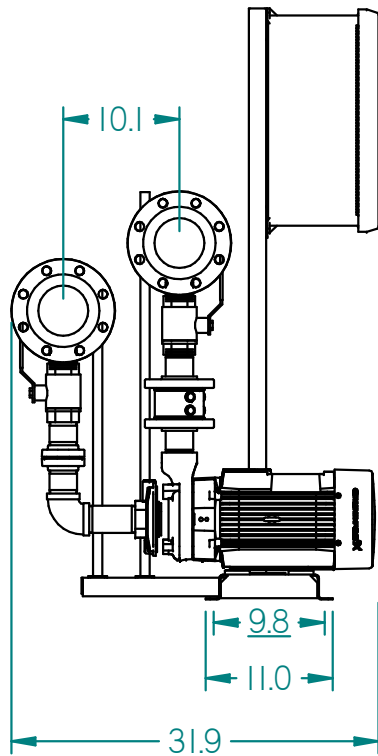


1. Manifolds 4" ANSI Class 150 AISI 316SS
Schedule 10s ASTMA212 or $\text{Ø}114.3\text{mm} \times 2\text{mm}$.
2. Base/Frame AISI304SS.
3. 2" NPT Ball Valve for pump isolation.
4. UL Type I2 rated electrical panel. Panel size may vary.



GRUNDFOS 
FRESNO, CALIFORNIA 93727 USA

Note:
All dimensions are $\pm 0.5''$
Not for construction use.
All dimensions subject to change
without notice.

BoosterpaQ Model:		Hydro Multi-B/E 2CME25-2		
Power:		7.5 HP 3x460V 60HZ		
Job:				
Dwg No:	Rev: 0	Date: 01/05/2017	Drawer: 58847	Page: 1 of 1