

| | | | | | |
|-----------------|---------------------------------------|------------------|-------------|-----------|-----------|
| PROJECT: | Hurley Engineering-TPE3 READY TO SHIP | UNIT TAG: | _____ | QUANTITY: | 1 |
| REPRESENTATIVE: | Hurley Engineering | TYPE OF SERVICE: | _____ | DATE: | 2/10/2020 |
| ENGINEER: | _____ | SUBMITTED BY: | Devin Carle | DATE: | _____ |
| CONTRACTOR: | To Be Determined | APPROVED BY: | _____ | DATE: | _____ |
| | | ORDER NO.: | _____ | DATE: | _____ |

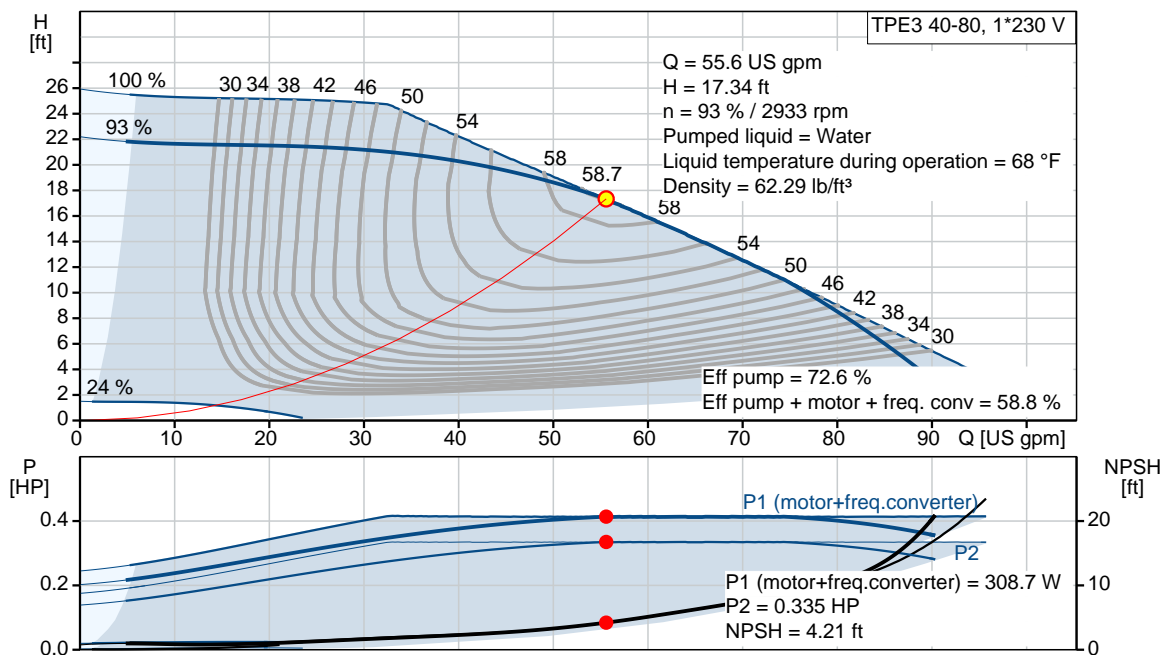


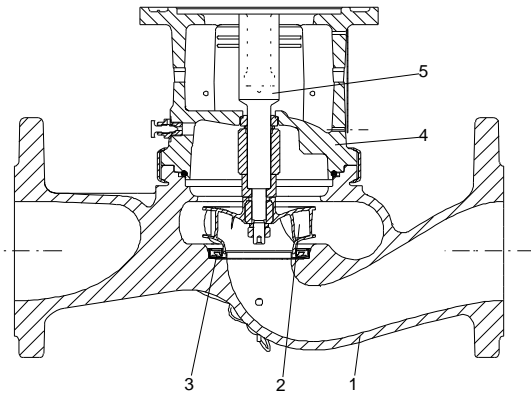
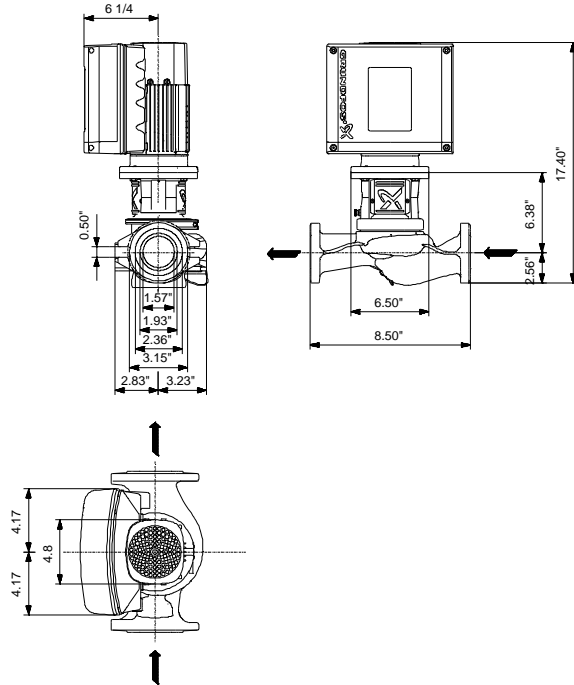
Product photo could vary from the actual product

TPE3 40-80 S-A-G-I-BQQE-CAB

Single-stage stainless steel in-line pumps with frequency converters

| Conditions of Service | | Pump Data | | Motor Data | |
|-----------------------|-------------|------------------------------|---------------|-------------------|-----------|
| Flow: | 55.6 US gpm | Liquid temperature range: | -13 .. 248 °F | Rated power - P2: | 0.33 HP |
| Head: | 17.34 ft | Maximum ambient temperature: | 122 °F | Rated voltage: | 200-240 V |
| Efficiency: | 58.8 % | Shaft seal: | BQQE | Main frequency: | 60 Hz |
| Liquid: | Water | Pipe connection: | DN 40 | Number of poles: | 0 |
| Temperature: | 68 °F | Product number: | 98819518 | Enclosure class: | IP55 |
| NPSH required: | 4.21 ft | | | Insulation class: | F |
| Viscosity: | _____ | | | Motor protection: | YES |
| Specific Gravity: | 1.000 | | | Motor type: | 71A |
| | | | | Motor_efficiency: | 81.1 % |





Materials:

Pump housing: Stainless steel
ASTM CF8

Impeller: Composite PES/PP 30%
GF

Material code: I

Project:
Reference number:

Client:
Client number:
Contact:

| Count | Description |
|-------|-------------|
|-------|-------------|

| | |
|---|------------------------------------|
| 1 | TPE3 40-80 S-A-G-I-BQQE-CAB |
|---|------------------------------------|



Product No.: [98819518](#)

The pump is of the top-pull-out design, i.e. the power head (motor, pump head and impeller) can be removed for maintenance or service while the pump housing remains in the pipework.

The shaft seal is according to EN 12756. Pipework connection is via PN 16 ANSI flanges.

Pipework connection is via PN 16 ANSI flanges.

The pump is fitted with a fan-cooled, permanent-magnet synchronous motor. The motor efficiency is classified as IE5 in accordance with IEC 60034-30-2.

The motor includes a frequency converter and PI controller in the motor terminal box. This enables continuously variable control of the motor speed, which again enables adaptation of the performance to a given requirement.

Controls:

Frequency converter: Built-in

Liquid:

Pumped liquid: Water
 Liquid temperature range: -13 .. 248 °F
 Selected liquid temperature: 68 °F
 Density: 62.29 lb/ft³

Technical:

Pump speed on which pump data is based: 2970 rpm
 Actual calculated flow: 55.6 US gpm
 Resulting head of the pump: 17.34 ft
 Actual impeller diameter: 2.91 in
 Code for shaft seal: BQQE
 Curve tolerance: ISO9906:2012 3B2

Materials:

Pump housing: Stainless steel
 ASTM CF8
 EN 1.4308
 Impeller: Composite PES/PP 30% GF

Installation:

Range of ambient temperature: -4 .. 122 °F
 Maximum operating pressure: PN 16 bar
 Type of connection: ANSI



Company name: Hurley Engineering
Created by:
Phone:

Date: 2/26/2020

Project:
Reference number:

Client:
Client number:
Contact:

Count | **Description**

Pipe connection: DN 40
Pressure rating for pipe connection: PN 16
Flange size for motor: 56C

Electrical data:
Motor type: 71A
IE Efficiency class: IE5
Rated power - P2: 0.33 HP
Main frequency: 60 Hz
Rated voltage: 1 x 200-240 V
Rated current: 1.75-1.50 A
Cos phi - power factor: 0.95
Rated speed: 360-4000 rpm
IE efficiency: 81.1%
Motor efficiency at full load: 81.1 %
Number of poles: 0
Enclosure class (IEC 34-5): IP55
Insulation class (IEC 85): F
Motor Number: 99630318

Others:
Net weight: 46.3 lb
Gross weight: 62.2 lb
Country of origin: HU
Custom tariff no.: 8413.70.2022



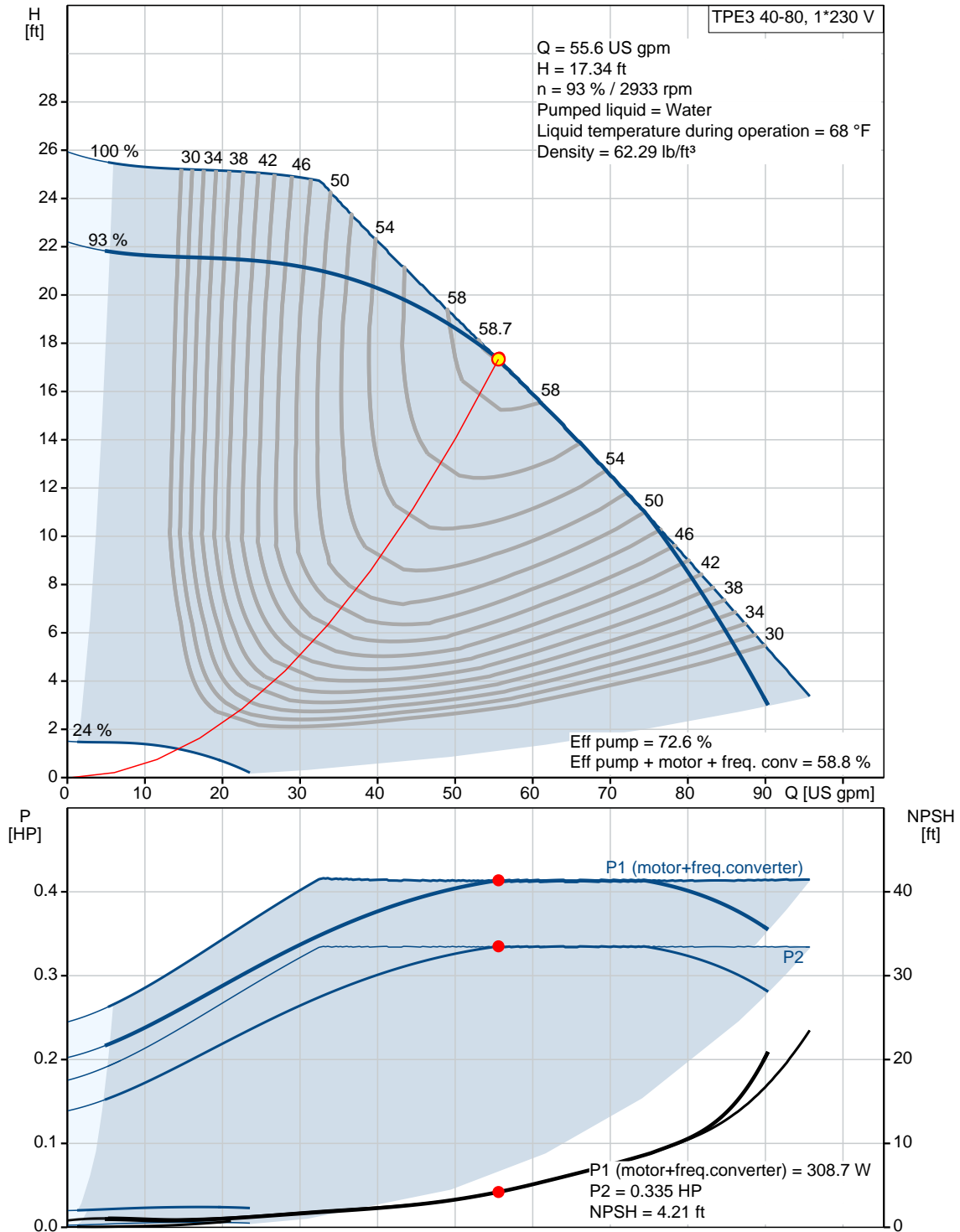
Company name: Hurley Engineering
Created by:
Phone:

Date: 2/26/2020

Project:
Reference number:

Client:
Client number:
Contact:

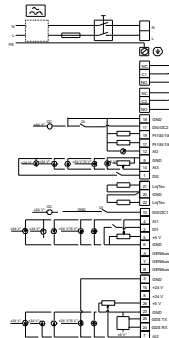
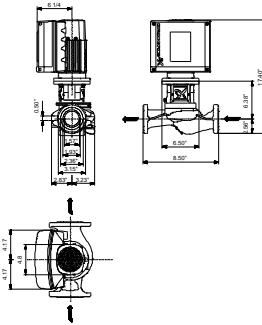
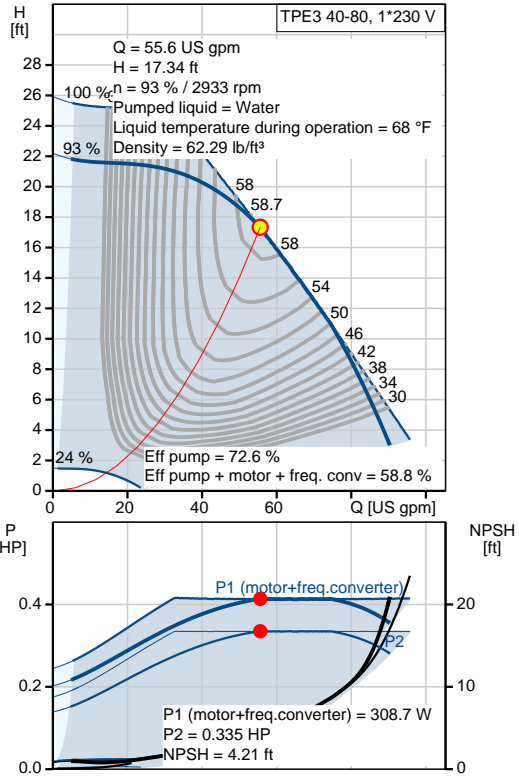
98819518 TPE3 40-80 S-A-G-I-BQQE-CAB 60 Hz



Project:
Reference number:

Client:
Client number:
Contact:

| Description | Value |
|---|--|
| General information: | |
| Product name: | TPE3 40-80 S-A-G-I-BQQE-CAB |
| Product No.: | 98819518 |
| EAN: | 5712601841757 5712601841757 |
| Technical: | |
| Pump speed on which pump data is based: | 2970 rpm |
| Actual calculated flow: | 55.6 US gpm |
| Resulting head of the pump: | 17.34 ft |
| Head max: | 26.25 ft |
| Actual impeller diameter: | 2.91 in |
| Code for shaft seal: | BQQE |
| Curve tolerance: | ISO9906:2012 3B2 |
| Pump version: | A |
| Materials: | |
| Pump housing: | Stainless steel ASTM CF8 EN 1.4308 |
| Impeller: | Composite PES/PP 30% GF |
| Material code: | I |
| Installation: | |
| Range of ambient temperature: | -4 .. 122 °F |
| Maximum operating pressure: | PN 16 bar |
| Type of connection: | ANSI |
| Pipe connection: | DN 40 |
| Pressure rating for pipe connection: | PN 16 |
| Flange size for motor: | 56C |
| Connect code: | G |
| Liquid: | |
| Pumped liquid: | Water |
| Liquid temperature range: | -13 .. 248 °F |
| Selected liquid temperature: | 68 °F |
| Density: | 62.29 lb/ft³ |
| Electrical data: | |
| Motor type: | 71A |
| IE Efficiency class: | IE5 |
| Rated power - P2: | 0.33 HP |
| Main frequency: | 60 Hz |
| Rated voltage: | 1 x 200-240 V |
| Rated current: | 1.75-1.50 A |
| Cos phi - power factor: | 0.95 |
| Rated speed: | 360-4000 rpm |
| IE efficiency: | 81.1% |
| Motor efficiency at full load: | 81.1 % |
| Number of poles: | 0 |
| Enclosure class (IEC 34-5): | IP55 |





Company name: Hurley Engineering
Created by:
Phone:

Date: 2/26/2020

Project:
Reference number:

Client:
Client number:
Contact:

| Description | Value |
|----------------------------|--------------------|
| Insulation class (IEC 85): | F |
| Motor protection: | YES |
| Motor Number: | 99630318 |
| Controls: | |
| Control panel: | HMI300 - Graphical |
| Function Module: | FM300 - Advanced |
| Frequency converter: | Built-in |
| Others: | |
| Net weight: | 46.3 lb |
| Gross weight: | 62.2 lb |
| Config. file no: | 98481320 |
| Country of origin: | HU |
| Custom tariff no.: | 8413.70.2022 |



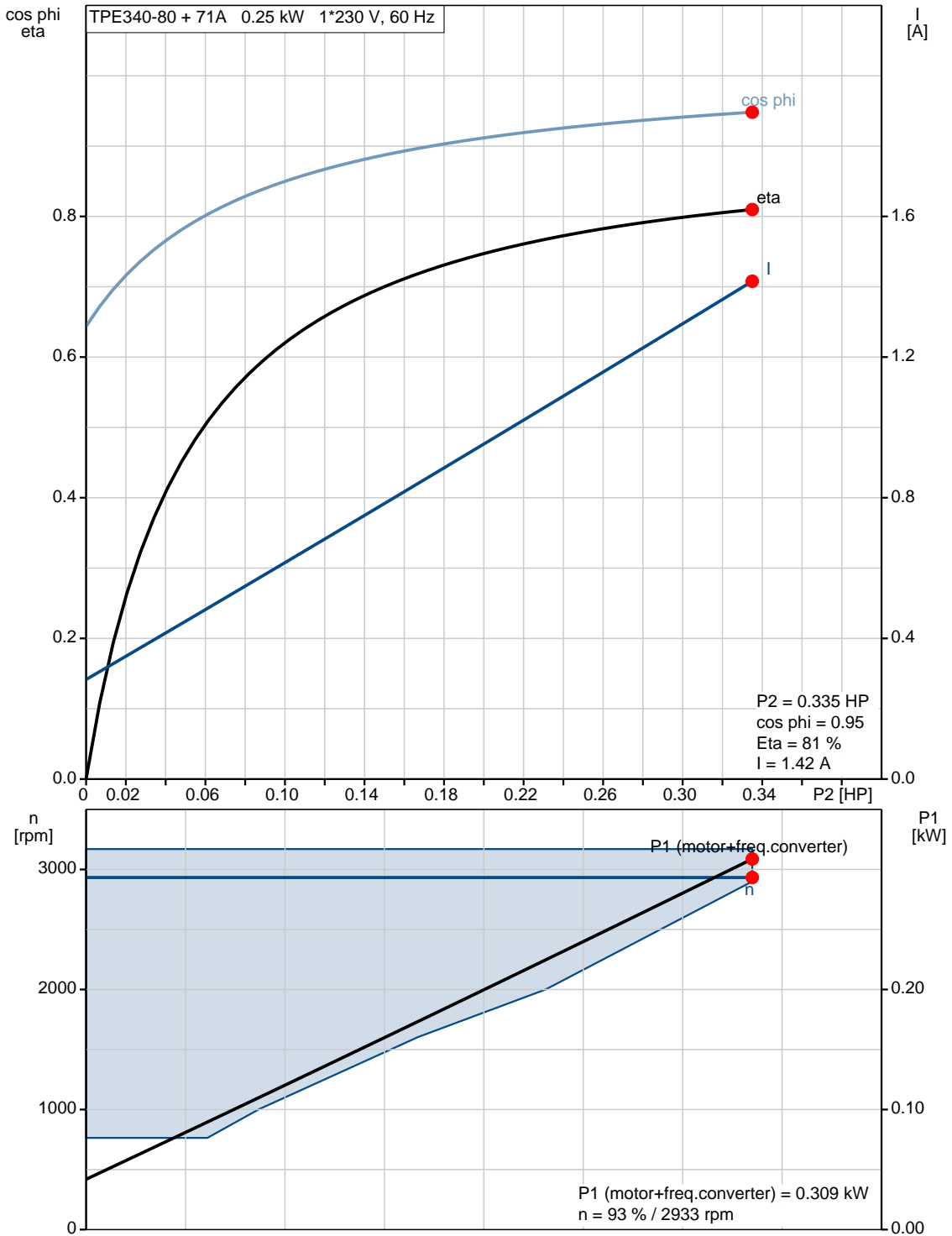
Company name: Hurley Engineering
Created by:
Phone:

Date: 2/26/2020

Project:
Reference number:

Client:
Client number:
Contact:

98819518 TPE3 40-80 S-A-G-I-BQQE-CAB 60 Hz





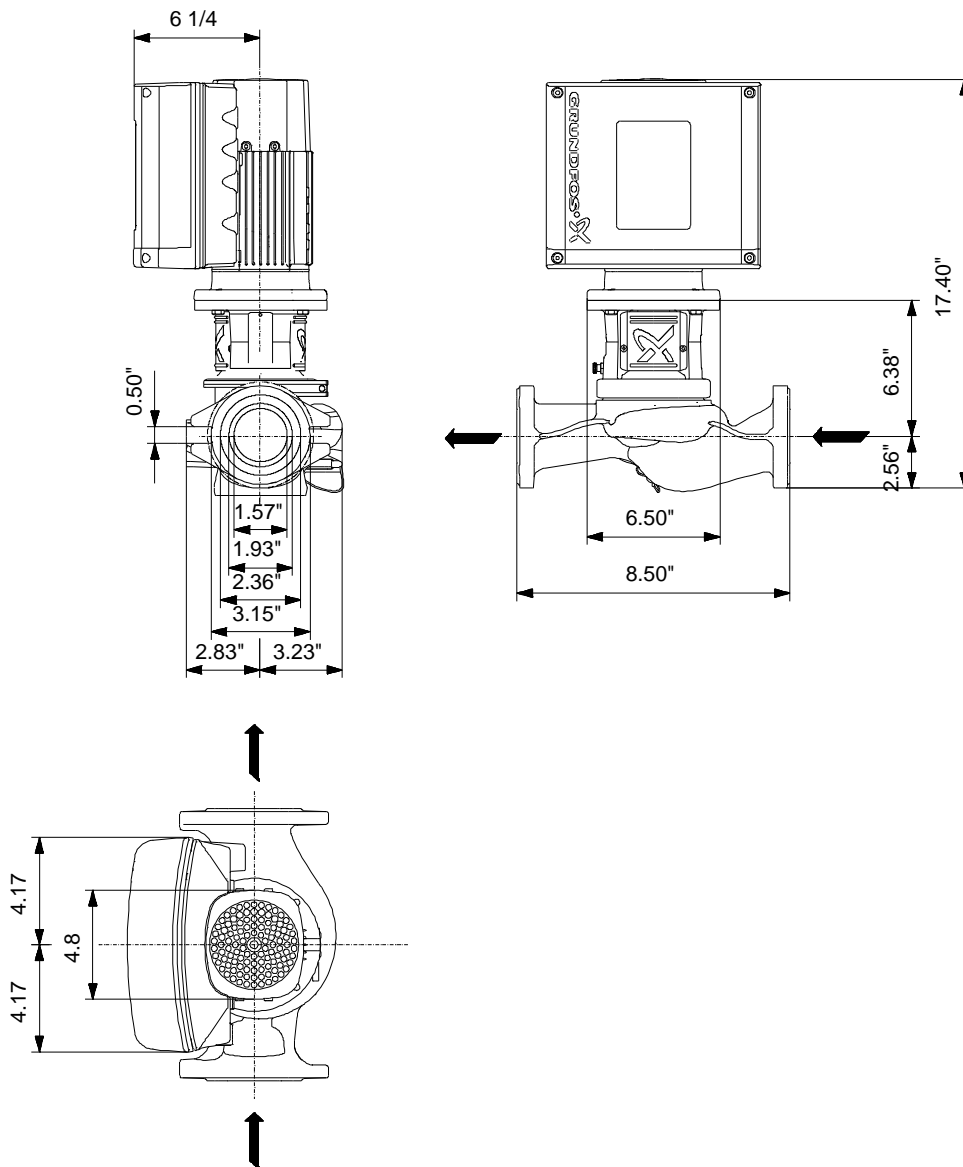
Company name: Hurley Engineering
Created by:
Phone:

Date: 2/26/2020

Project:
Reference number:

Client:
Client number:
Contact:

98819518 TPE3 40-80 S-A-G-I-BQQE-CAB 60 Hz



Note! All units are in [in] unless otherwise stated.
Disclaimer: This simplified dimensional drawing does not show all details.



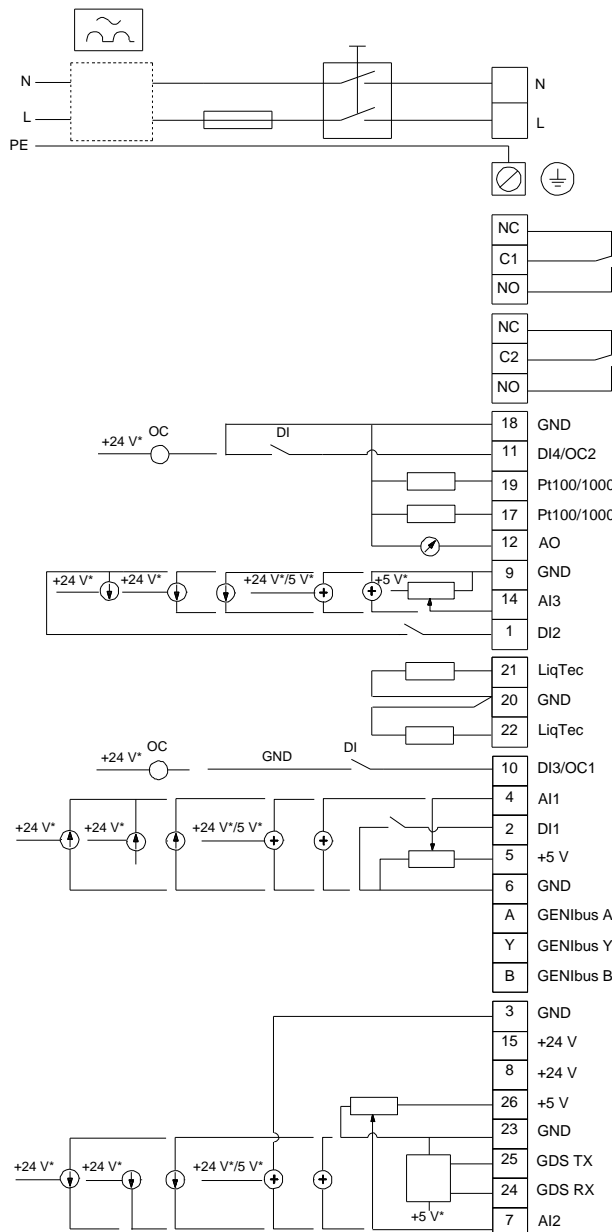
Company name: Hurley Engineering
 Created by:
 Phone:

Date: 2/26/2020

Project:
 Reference number:

Client:
 Client number:
 Contact:

98819518 TPE3 40-80 S-A-G-I-BQQE-CAB 60 Hz



All units are [in] unless otherwise presented.



Company name: Hurley Engineering
Created by:
Phone:

Date: 2/26/2020

Project:
Reference number:

Client:
Client number:
Contact:

Order Data:

Product name: TPE3 40-80 S-A-G-I-BQQE-CAB
Amount: 1
Product No.: 98819518

Total: Price on request