

PROJECT:	Hurley Engineering-TPE3 READY TO SHIP	UNIT TAG:	_____	QUANTITY:	1
REPRESENTATIVE:	Hurley Engineering	TYPE OF SERVICE:	_____	DATE:	2/10/2020
ENGINEER:	_____	SUBMITTED BY:	Devin Carle	DATE:	_____
CONTRACTOR:	To Be Determined	APPROVED BY:	_____	DATE:	_____
		ORDER NO.:	_____	DATE:	_____

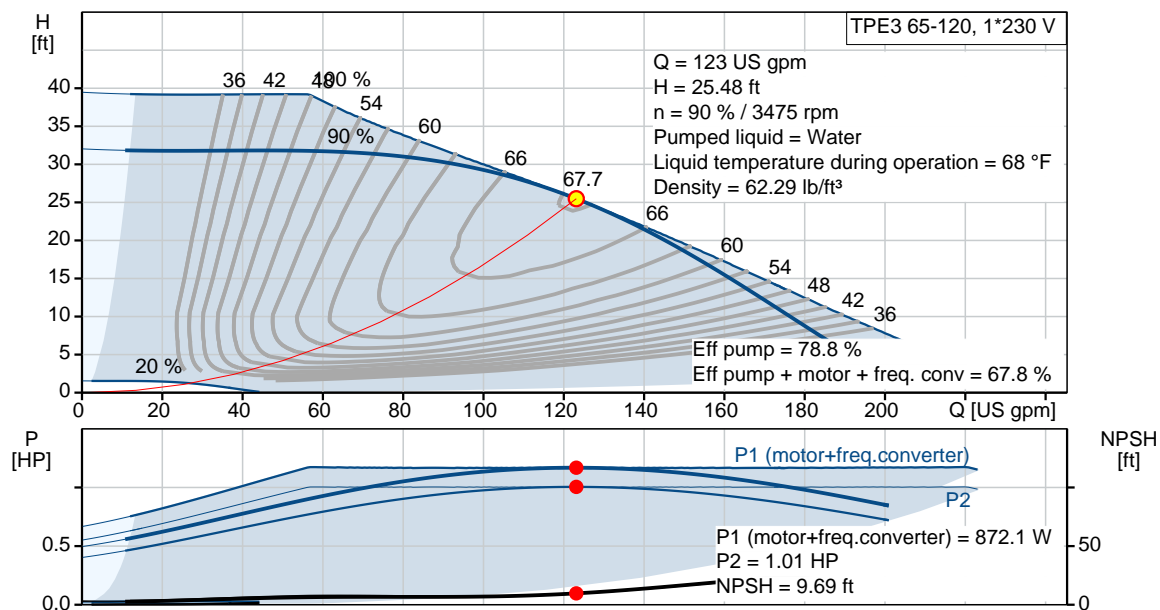


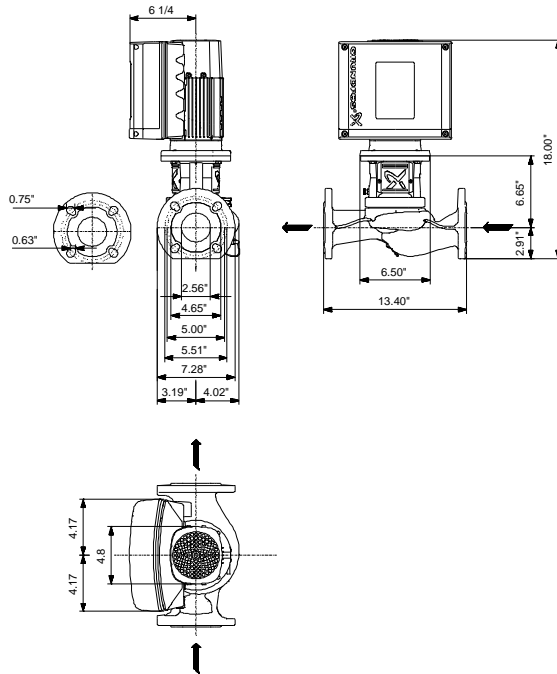
Product photo could vary from the actual product

TPE3 65-120 S-A-G-A-BQQE-FAB

Single-stage in-line pumps with frequency converters

Conditions of Service		Pump Data		Motor Data	
Flow:	123 US gpm	Liquid temperature range:	-13 .. 248 °F	Rated power - P2:	1 HP
Head:	25.48 ft	Maximum ambient temperature:	122 °F	Rated voltage:	200-240 V
Efficiency:	67.8 %	Shaft seal:	BQQE	Main frequency:	60 Hz
Liquid:	Water	Pipe connection:	DN 65	Number of poles:	0
Temperature:	68 °F	Product number:	98819668	Enclosure class:	IP55
NPSH required:	9.69 ft			Insulation class:	F
Viscosity:	_____			Motor protection:	YES
Specific Gravity:	1.000			Motor type:	80A
				Motor_efficiency:	85.2 %





Materials:

- Pump housing: Cast iron
ASTM A48-40 B
- Impeller: Composite PES/PP 30%
GF
- Material code: A



Company name: Hurley Engineering
Created by:
Phone:

Date: 2/26/2020

Project:
Reference number:

Client:
Client number:
Contact:

Count | Description

1 | TPE3 65-120 S-A-G-A-BQQE-FAB



Product photo could vary from the actual product

Product No.: [98819668](#)

The pump is of the top-pull-out design, i.e. the power head (motor, pump head and impeller) can be removed for maintenance or service while the pump housing remains in the pipework.

The shaft seal is according to EN 12756. Pipework connection is via PN 16 ANSI flanges.

Pipework connection is via PN 16 ANSI flanges.

The pump is fitted with a fan-cooled, permanent-magnet synchronous motor. The motor efficiency is classified as IE5 in accordance with IEC 60034-30-2.

The motor includes a frequency converter and PI controller in the motor terminal box. This enables continuously variable control of the motor speed, which again enables adaptation of the performance to a given requirement.

Controls:

Frequency converter: Built-in

Liquid:

Pumped liquid: Water
Liquid temperature range: -13 .. 248 °F
Selected liquid temperature: 68 °F
Density: 62.29 lb/ft³

Technical:

Pump speed on which pump data is based: 3530 rpm
Actual calculated flow: 123 US gpm
Resulting head of the pump: 25.48 ft
Actual impeller diameter: 3.07 in
Code for shaft seal: BQQE
Curve tolerance: ISO9906:2012 3B2

Materials:

Pump housing: Cast iron
ASTM A48-40 B



Company name: Hurley Engineering
Created by:
Phone:

Date: 2/26/2020

Project:
Reference number:

Client:
Client number:
Contact:

Count	Description
-------	-------------

	Impeller: EN 1561 EN-GJL-250 Composite PES/PP 30% GF
--	---

Installation:

Range of ambient temperature: -4 .. 122 °F
Maximum operating pressure: PN 16 bar
Type of connection: ANSI
Pipe connection: DN 65
Pressure rating for pipe connection: PN 16
Flange size for motor: 56C

Electrical data:

Motor type: 80A
IE Efficiency class: IE5
Rated power - P2: 1 HP
Main frequency: 60 Hz
Rated voltage: 1 x 200-240 V
Rated current: 4.70-3.90 A
Cos phi - power factor: 0.99
Rated speed: 360-4000 rpm
IE efficiency: 85.2%
Motor efficiency at full load: 85.2 %
Number of poles: 0
Enclosure class (IEC 34-5): IP55
Insulation class (IEC 85): F
Motor Number: 99630338

Others:

DOE Pump Energy Index VL: 0.39
Net weight: 61.7 lb
Gross weight: 61.7 lb
Country of origin: HU
Custom tariff no.: 8413.70.2022



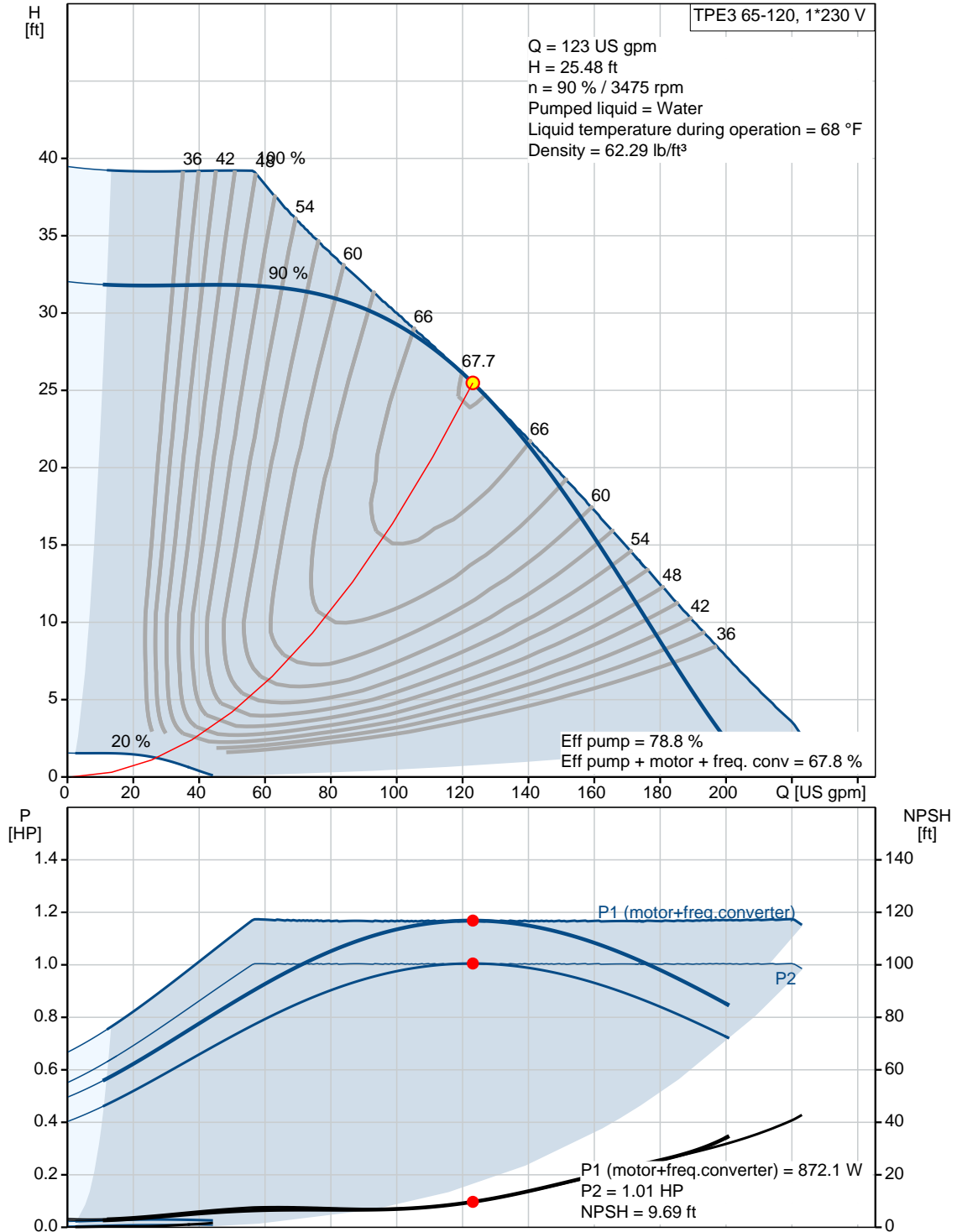
Company name: Hurley Engineering
Created by:
Phone:

Date: 2/26/2020

Project:
Reference number:

Client:
Client number:
Contact:

98819668 TPE3 65-120 S-A-G-A-BQQE-FAB 60 Hz



Project:
Reference number:

Client:
Client number:
Contact:

Description	Value
-------------	-------

General information:

Product name:	TPE3 65-120 S-A-G-A-BQQE-FAB
Product No.:	98819668
EAN:	5712601844727 5712601844727

Technical:

Pump speed on which pump data is based:	3530 rpm
Actual calculated flow:	123 US gpm
Resulting head of the pump:	25.48 ft
Head max:	39.37 ft
Actual impeller diameter:	3.07 in
Code for shaft seal:	BQQE
Curve tolerance:	ISO9906:2012 3B2
Pump version:	A
Model:	A

Materials:

Pump housing:	Cast iron ASTM A48-40 B EN 1561 EN-GJL-250
Impeller:	Composite PES/PP 30% GF
Material code:	A

Installation:

Range of ambient temperature:	-4 .. 122 °F
-------------------------------	--------------

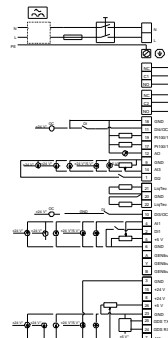
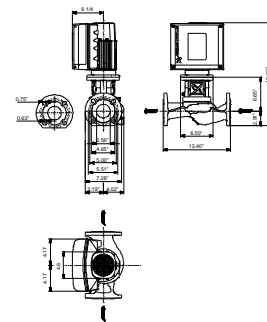
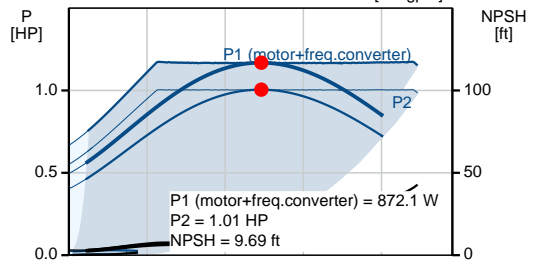
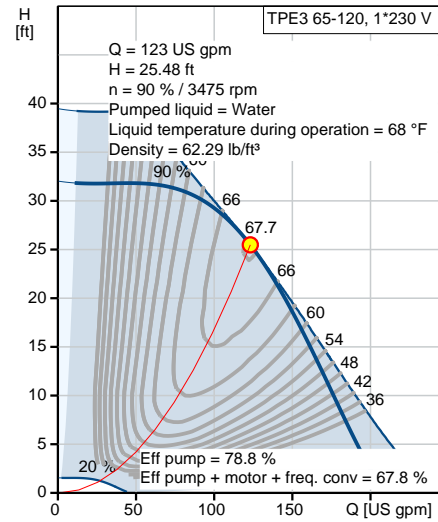
Maximum operating pressure:	PN 16 bar
Type of connection:	ANSI
Pipe connection:	DN 65
Pressure rating for pipe connection:	PN 16
Flange size for motor:	56C
Connect code:	G

Liquid:

Pumped liquid:	Water
Liquid temperature range:	-13 .. 248 °F
Selected liquid temperature:	68 °F
Density:	62.29 lb/ft³

Electrical data:

Motor type:	80A
IE Efficiency class:	IE5
Rated power - P2:	1 HP
Main frequency:	60 Hz
Rated voltage:	1 x 200-240 V
Rated current:	4.70-3.90 A
Cos phi - power factor:	0.99
Rated speed:	360-4000 rpm
IE efficiency:	85.2%
Motor efficiency at full load:	85.2 %





Company name: Hurley Engineering
Created by:
Phone:

Date: 2/26/2020

Project:
Reference number:

Client:
Client number:
Contact:

Description	Value
Number of poles:	0
Enclosure class (IEC 34-5):	IP55
Insulation class (IEC 85):	F
Motor protection:	YES
Motor Number:	99630338
Controls:	
Control panel:	HMI300 - Graphical
Function Module:	FM300 - Advanced
Frequency converter:	Built-in
Others:	
DOE Pump Energy Index VL:	0.39
Net weight:	61.7 lb
Gross weight:	61.7 lb
Config. file no:	98481404
Country of origin:	HU
Custom tariff no.:	8413.70.2022



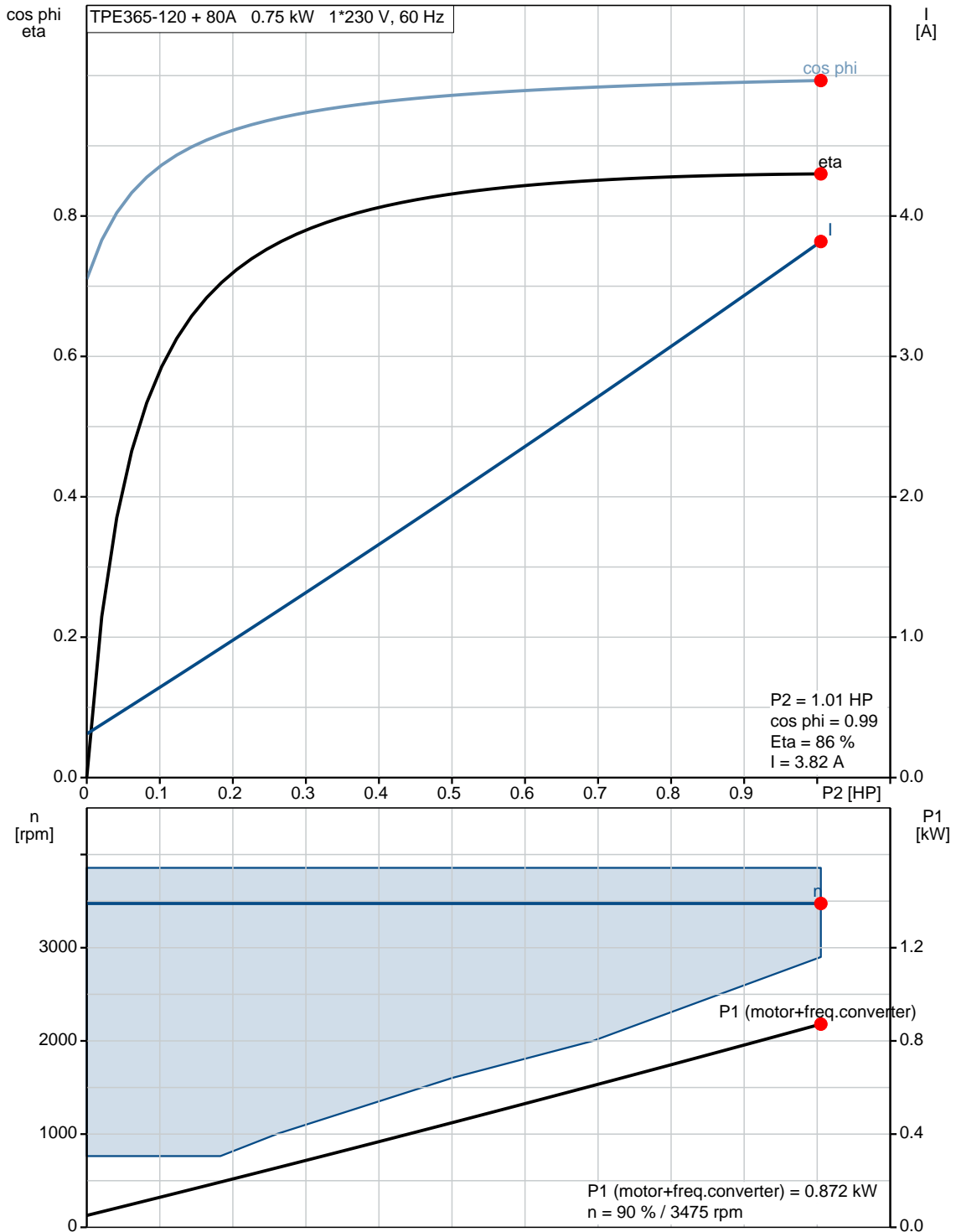
Company name: Hurley Engineering
Created by:
Phone:

Date: 2/26/2020

Project:
Reference number:

Client:
Client number:
Contact:

98819668 TPE3 65-120 S-A-G-A-BQQE-FAB 60 Hz





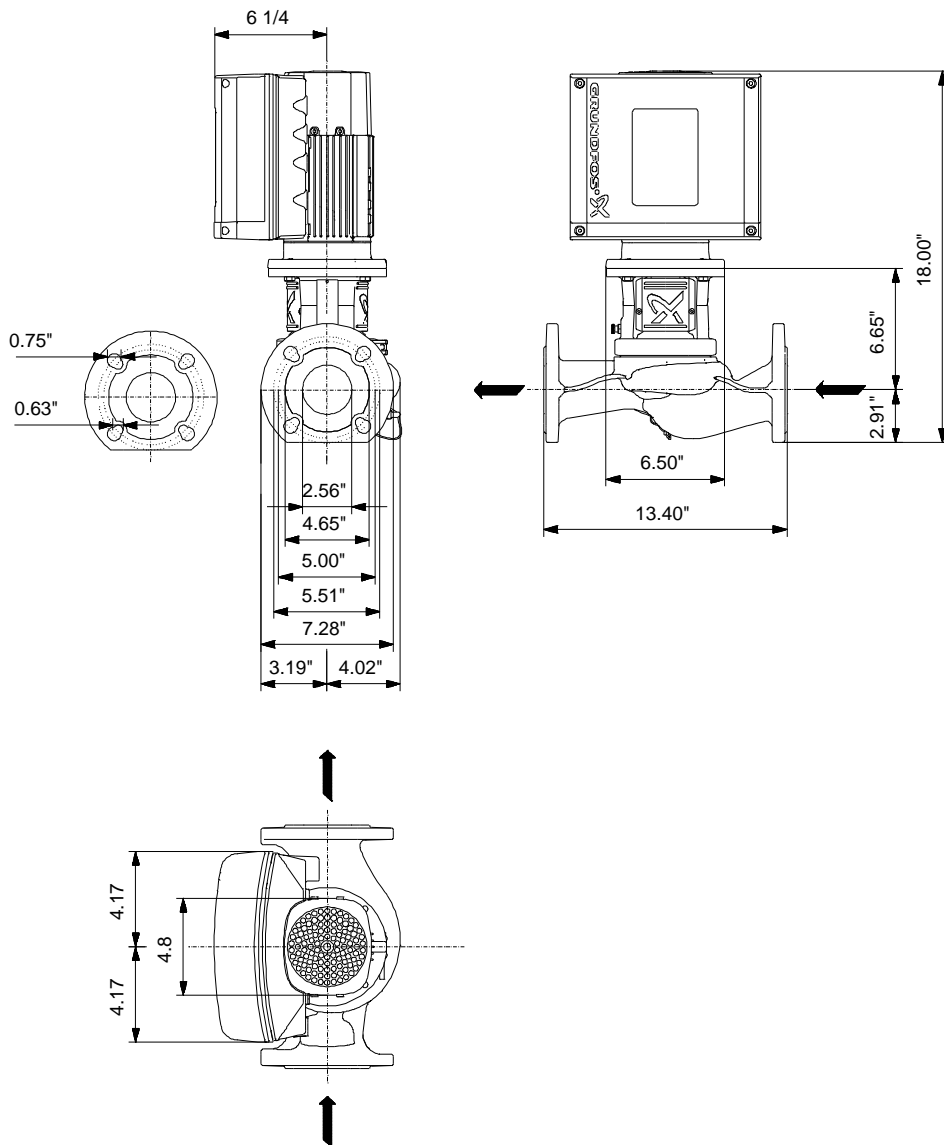
Company name: Hurley Engineering
Created by:
Phone:

Date: 2/26/2020

Project:
Reference number:

Client:
Client number:
Contact:

98819668 TPE3 65-120 S-A-G-A-BQQE-FAB 60 Hz



Note! All units are in [in] unless otherwise stated.
Disclaimer: This simplified dimensional drawing does not show all details.



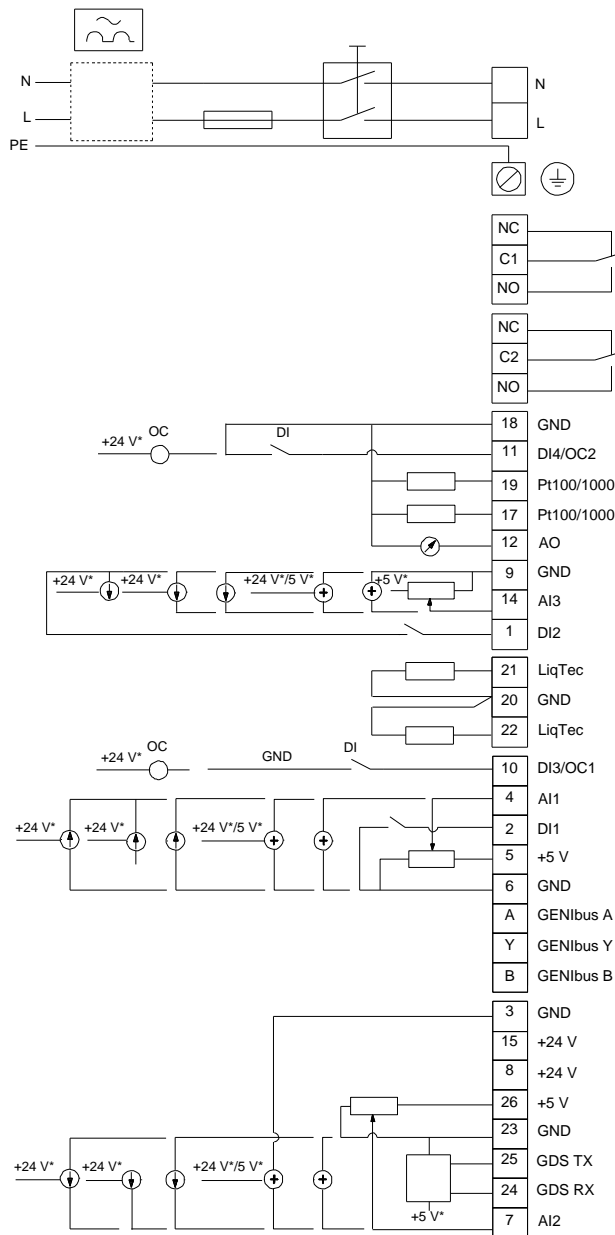
Company name: Hurley Engineering
 Created by:
 Phone:

Date: 2/26/2020

Project:
 Reference number:

Client:
 Client number:
 Contact:

98819668 TPE3 65-120 S-A-G-A-BQQE-FAB 60 Hz



All units are [in] unless otherwise presented.



Company name: Hurley Engineering
Created by:
Phone:

Date: 2/26/2020

Project:
Reference number:

Client:
Client number:
Contact:

Order Data:

Product name: TPE3 65-120 S-A-G-A-BQQE-FAB
Amount: 1
Product No.: 98819668

Total: Price on request