

PROJECT:	Hurley Engineering-TPE3 READY TO SHIP	UNIT TAG:	_____	QUANTITY:	1
REPRESENTATIVE:	Hurley Engineering	TYPE OF SERVICE:	_____	DATE:	2/10/2020
ENGINEER:	_____	SUBMITTED BY:	Devin Carle	DATE:	_____
CONTRACTOR:	To Be Determined	APPROVED BY:	_____	DATE:	_____
		ORDER NO.:	_____	DATE:	_____

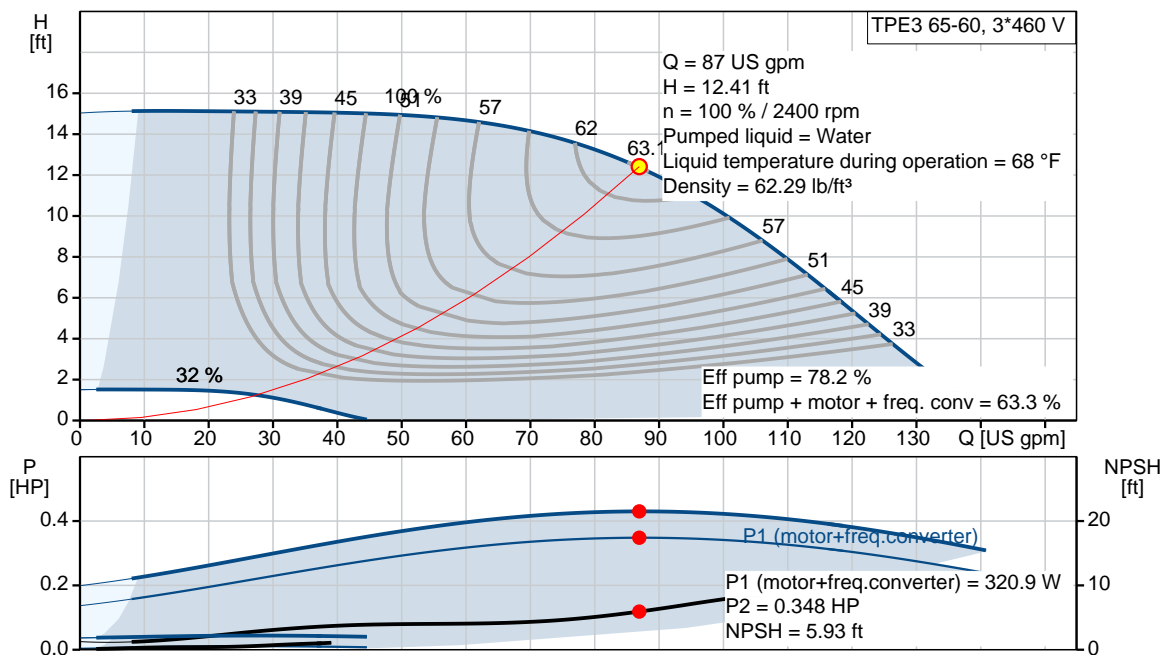


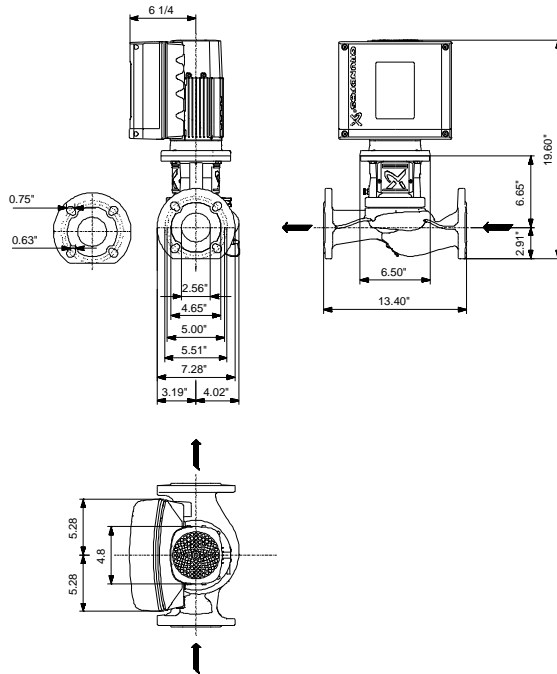
Product photo could vary from the actual product

## TPE3 65-60 S-A-G-I-BQQE-DCB

Single-stage stainless steel in-line pumps with frequency converters

Conditions of Service		Pump Data		Motor Data	
Flow:	87 US gpm	Liquid temperature range:	-13 .. 248 °F	Rated power - P2:	0.5 HP
Head:	12.41 ft	Maximum ambient temperature:	122 °F	Rated voltage:	440-480 V
Efficiency:	63.3 %	Shaft seal:	BQQE	Main frequency:	60 Hz
Liquid:	Water	Pipe connection:	DN 65	Number of poles:	0
Temperature:	68 °F	Product number:	98819728	Enclosure class:	IP55
NPSH required:	5.93 ft			Insulation class:	F
Viscosity:	_____			Motor protection:	YES
Specific Gravity:	1.000			Motor type:	71A
				Motor_efficiency:	82.9 %





**Materials:**

Pump housing: Stainless steel  
ASTM CF8

Impeller: Composite PES/PP 30%  
GF

Material code: I



Company name: Hurley Engineering  
Created by:  
Phone:

Date: 2/26/2020

Project:  
Reference number:

Client:  
Client number:  
Contact:

Count | Description

1 | TPE3 65-60 S-A-G-I-BQQE-DCB



Product photo could vary from the actual product

Product No.: [98819728](#)

The pump is of the top-pull-out design, i.e. the power head (motor, pump head and impeller) can be removed for maintenance or service while the pump housing remains in the pipework.

The shaft seal is according to EN 12756. Pipework connection is via PN 16 ANSI flanges.

Pipework connection is via PN 16 ANSI flanges.

The pump is fitted with a fan-cooled, permanent-magnet synchronous motor. The motor efficiency is classified as IE5 in accordance with IEC 60034-30-2.

The motor includes a frequency converter and PI controller in the motor terminal box. This enables continuously variable control of the motor speed, which again enables adaptation of the performance to a given requirement.

**Controls:**

Frequency converter: Built-in

**Liquid:**

Pumped liquid: Water  
Liquid temperature range: -13 .. 248 °F  
Selected liquid temperature: 68 °F  
Density: 62.29 lb/ft<sup>3</sup>

**Technical:**

Pump speed on which pump data is based: 2400 rpm  
Actual calculated flow: 87 US gpm  
Resulting head of the pump: 12.41 ft  
Actual impeller diameter: 3.07 in  
Code for shaft seal: BQQE  
Curve tolerance: ISO9906:2012 3B2

**Materials:**

Pump housing: Stainless steel  
ASTM CF8  
EN 1.4308  
Impeller: Composite PES/PP 30% GF



Company name: Hurley Engineering  
Created by:  
Phone:

Date: 2/26/2020

Project:  
Reference number:

Client:  
Client number:  
Contact:

Count	Description
-------	-------------

**Installation:**

Range of ambient temperature: -4 .. 122 °F  
Maximum operating pressure: PN 16 bar  
Type of connection: ANSI  
Pipe connection: DN 65  
Pressure rating for pipe connection: PN 16  
Flange size for motor: 56C

**Electrical data:**

Motor type: 71A  
IE Efficiency class: IE5  
Rated power - P2: 0.5 HP  
Main frequency: 60 Hz  
Rated voltage: 3 x 440-480 V  
Rated current: 1.05 A  
Cos phi - power factor: 0.60  
Rated speed: 360-4000 rpm  
IE efficiency: 82.9%  
Motor efficiency at full load: 82.9 %  
Number of poles: 0  
Enclosure class (IEC 34-5): IP55  
Insulation class (IEC 85): F  
Motor Number: 99630335

**Others:**

Net weight: 67 lb  
Gross weight: 86.2 lb  
Country of origin: HU  
Custom tariff no.: 8413.70.2022



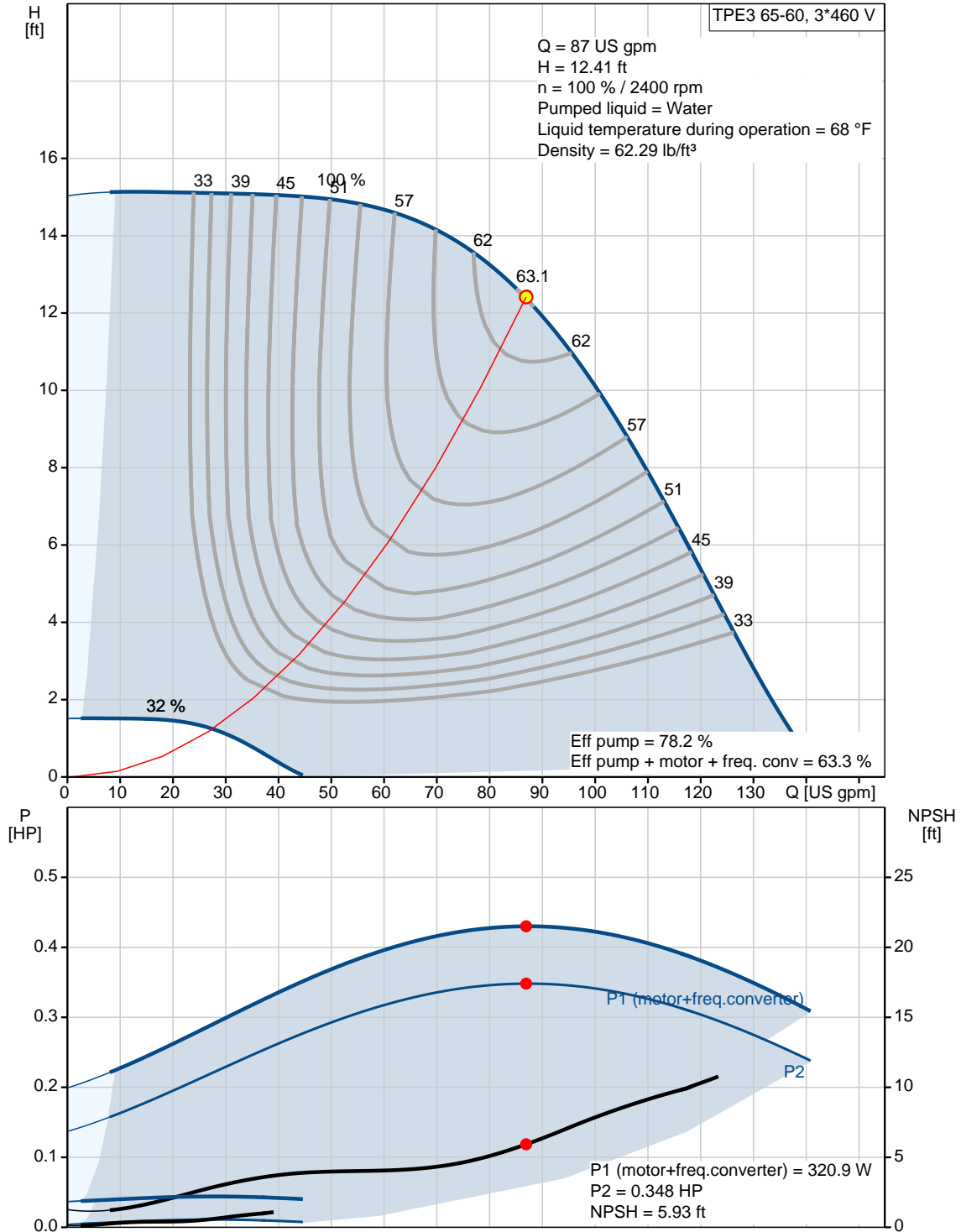
Company name: Hurley Engineering  
Created by:  
Phone:

Date: 2/26/2020

Project:  
Reference number:

Client:  
Client number:  
Contact:

### 98819728 TPE3 65-60 S-A-G-I-BQQE-DCB 60 Hz





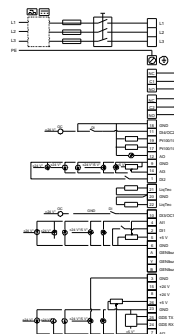
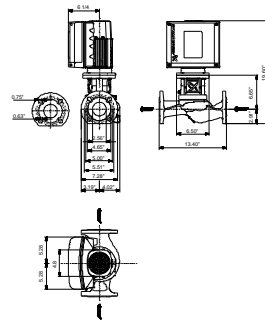
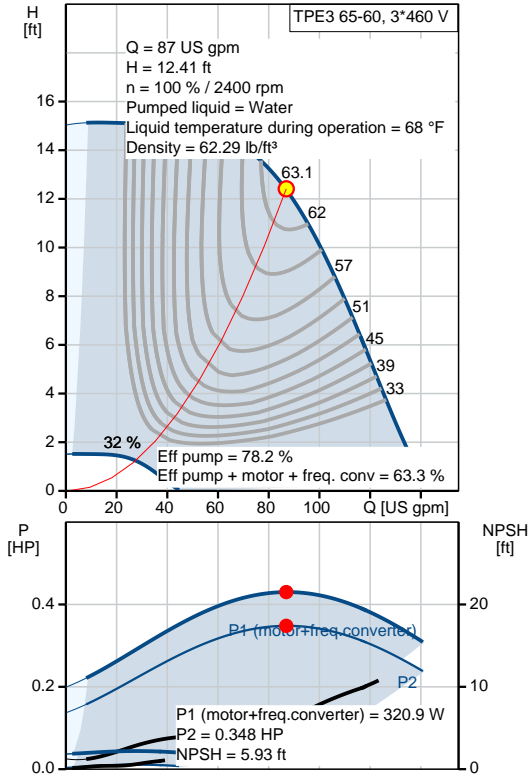
Company name: Hurley Engineering  
 Created by:  
 Phone:

Date: 2/26/2020

Project:  
 Reference number:

Client:  
 Client number:  
 Contact:

Description	Value
<b>General information:</b>	
Product name:	TPE3 65-60 S-A-G-I-BQQE-DCB
Product No.:	98819728
EAN:	5712601845793 5712601845793
<b>Technical:</b>	
Pump speed on which pump data is based:	2400 rpm
Actual calculated flow:	87 US gpm
Resulting head of the pump:	12.41 ft
Head max:	19.69 ft
Actual impeller diameter:	3.07 in
Code for shaft seal:	BQQE
Curve tolerance:	ISO9906:2012 3B2
Pump version:	A
<b>Materials:</b>	
Pump housing:	Stainless steel ASTM CF8 EN 1.4308
Impeller:	Composite PES/PP 30% GF
Material code:	I
<b>Installation:</b>	
Range of ambient temperature:	-4 .. 122 °F
Maximum operating pressure:	PN 16 bar
Type of connection:	ANSI
Pipe connection:	DN 65
Pressure rating for pipe connection:	PN 16
Flange size for motor:	56C
Connect code:	G
<b>Liquid:</b>	
Pumped liquid:	Water
Liquid temperature range:	-13 .. 248 °F
Selected liquid temperature:	68 °F
Density:	62.29 lb/ft <sup>3</sup>
<b>Electrical data:</b>	
Motor type:	71A
IE Efficiency class:	IE5
Rated power - P2:	0.5 HP
Main frequency:	60 Hz
Rated voltage:	3 x 440-480 V
Rated current:	1.05 A
Cos phi - power factor:	0.60
Rated speed:	360-4000 rpm
IE efficiency:	82.9%
Motor efficiency at full load:	82.9 %
Number of poles:	0
Enclosure class (IEC 34-5):	IP55





Company name: Hurley Engineering  
Created by:  
Phone:

Date: 2/26/2020

**Project:**  
**Reference number:**

**Client:**  
**Client number:**  
**Contact:**

Description	Value
Insulation class (IEC 85):	F
Motor protection:	YES
Motor Number:	99630335
<b>Controls:</b>	
Control panel:	HMI300 - Graphical
Function Module:	FM300 - Advanced
Frequency converter:	Built-in
<b>Others:</b>	
Net weight:	67 lb
Gross weight:	86.2 lb
Config. file no:	98484785
Country of origin:	HU
Custom tariff no.:	8413.70.2022



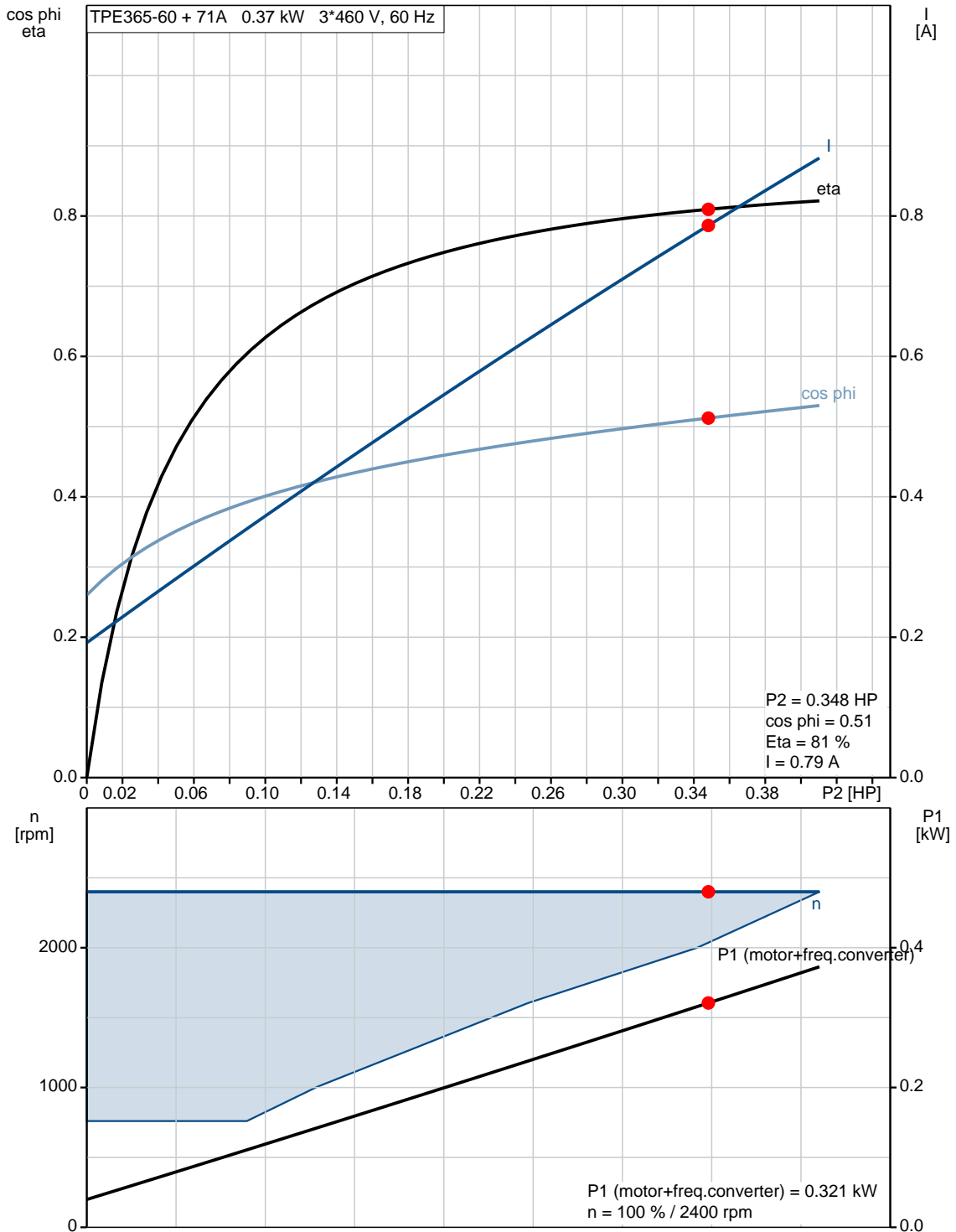
Company name: Hurley Engineering  
Created by:  
Phone:

Date: 2/26/2020

Project:  
Reference number:

Client:  
Client number:  
Contact:

### 98819728 TPE3 65-60 S-A-G-I-BQQE-DCB 60 Hz







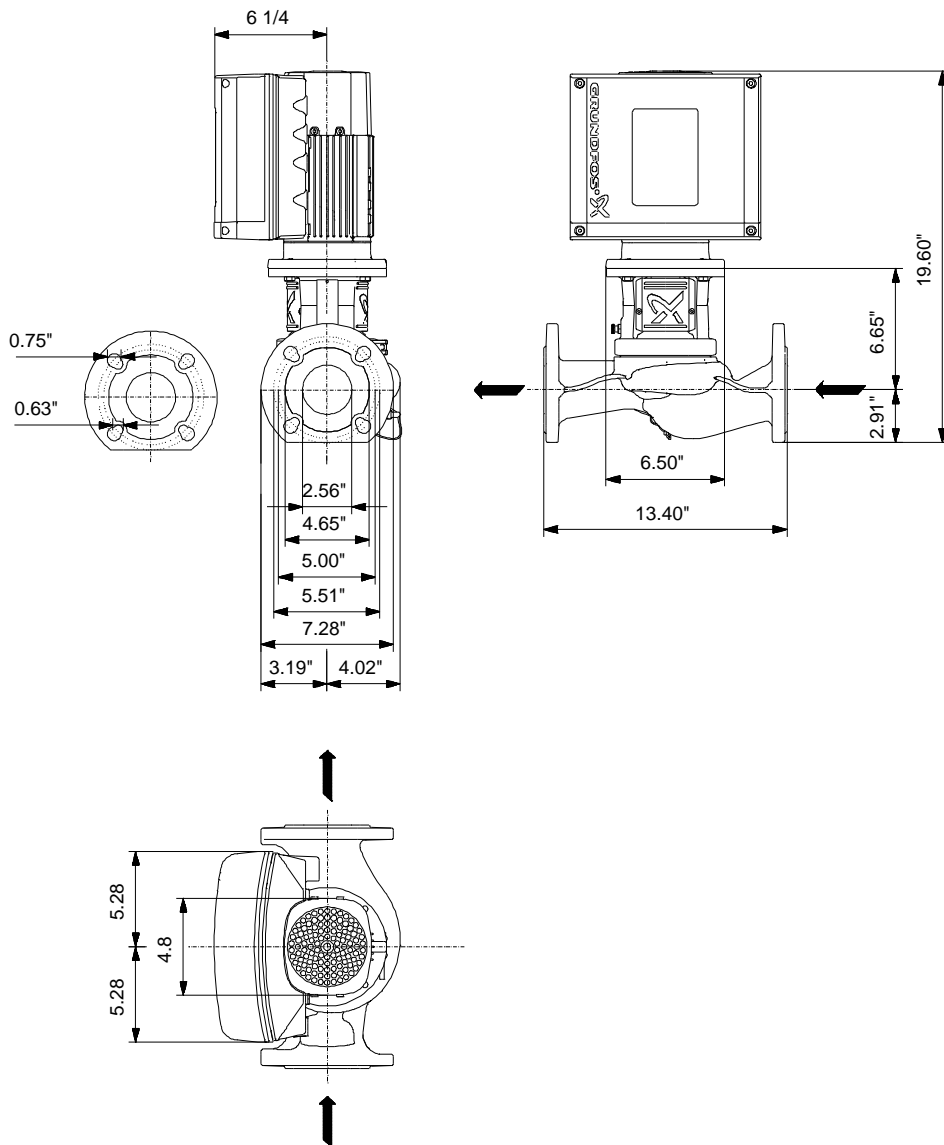
Company name: Hurley Engineering  
Created by:  
Phone:

Date: 2/26/2020

Project:  
Reference number:

Client:  
Client number:  
Contact:

### 98819728 TPE3 65-60 S-A-G-I-BQQE-DCB 60 Hz



Note! All units are in [in] unless otherwise stated.  
Disclaimer: This simplified dimensional drawing does not show all details.



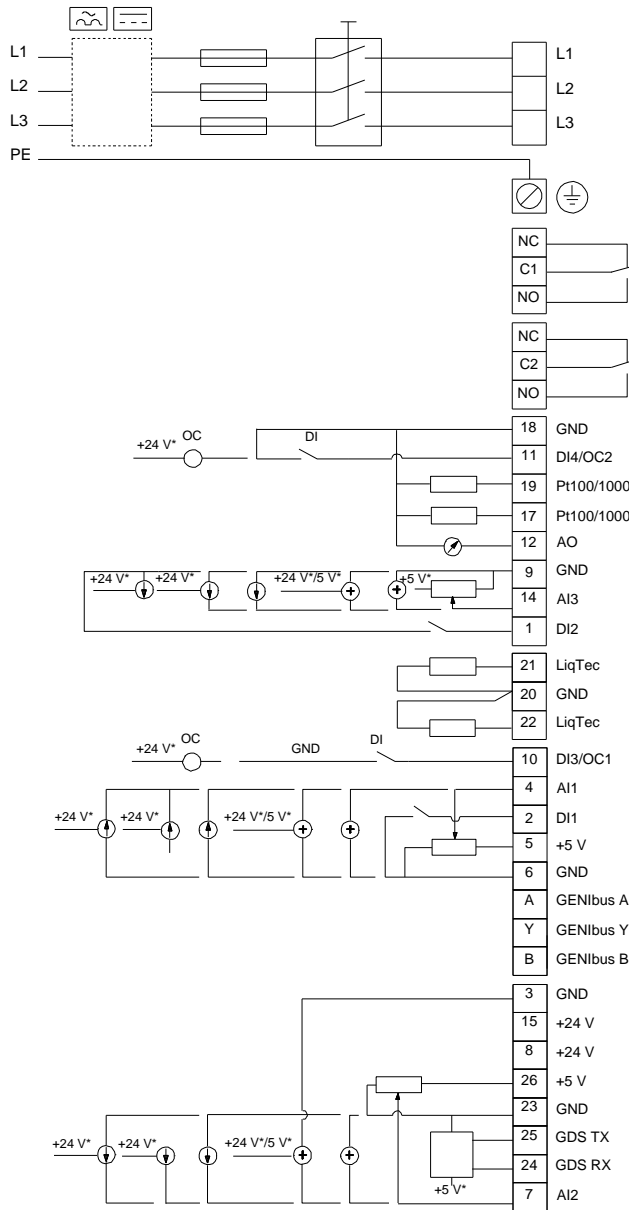
Company name: Hurley Engineering  
 Created by:  
 Phone:

Date: 2/26/2020

Project:  
 Reference number:

Client:  
 Client number:  
 Contact:

## 98819728 TPE3 65-60 S-A-G-I-BQQE-DCB 60 Hz



All units are [in] unless otherwise presented.



**Company name:** Hurley Engineering  
**Created by:**  
**Phone:**

**Date:** 2/26/2020

**Project:**  
**Reference number:**

**Client:**  
**Client number:**  
**Contact:**

**Order Data:**

Product name: TPE3 65-60 S-A-G-I-BQQE-DCB  
Amount: 1  
Product No.: 98819728

Total: Price on request