

PROJECT:	Hurley Engineering-TPE3 READY TO SHIP	UNIT TAG:	_____	QUANTITY:	1
REPRESENTATIVE:	Hurley Engineering	TYPE OF SERVICE:	_____	DATE:	2/10/2020
ENGINEER:	_____	SUBMITTED BY:	Devin Carle	DATE:	_____
CONTRACTOR:	To Be Determined	APPROVED BY:	_____	DATE:	_____
		ORDER NO.:	_____	DATE:	_____

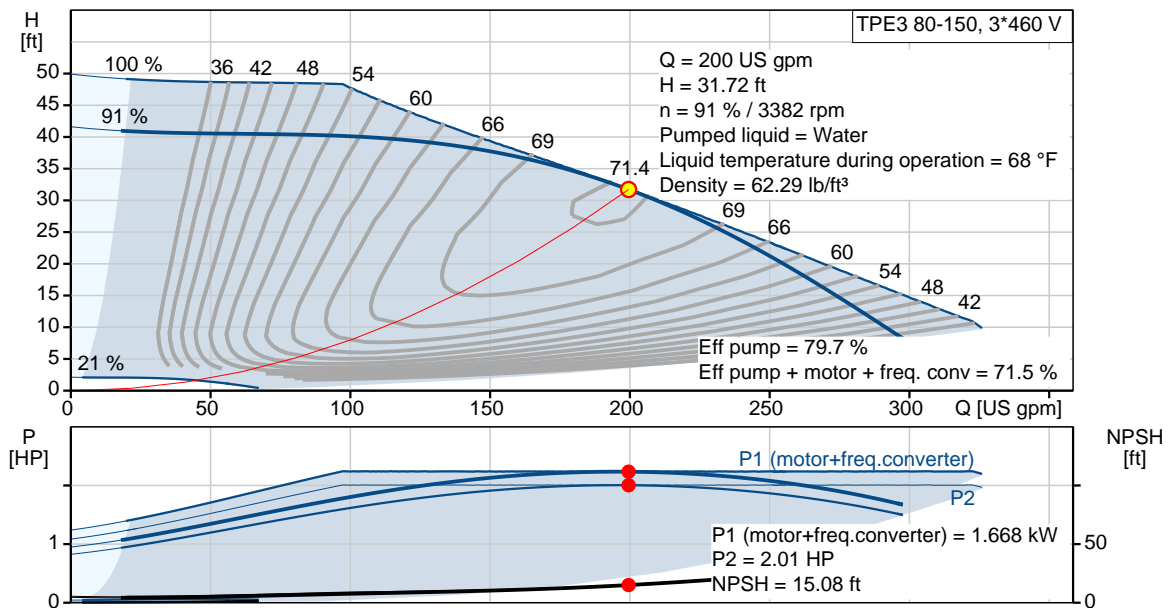


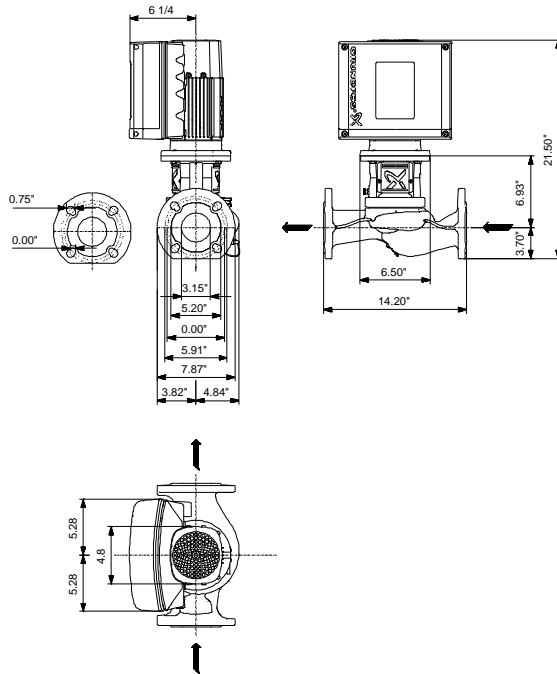
Product photo could vary from the actual product

### TPE3 80-150 S-A-G-A-BQQE-HCB

Single-stage in-line pumps with frequency converters

Conditions of Service		Pump Data		Motor Data	
Flow:	200 US gpm	Liquid temperature range:	-13 .. 248 °F	Rated power - P2:	2 HP
Head:	31.72 ft	Maximum ambient temperature:	122 °F	Rated voltage:	440-480 V
Efficiency:	71.5 %	Shaft seal:	BQQE	Main frequency:	60 Hz
Liquid:	Water	Pipe connection:	DN 80	Number of poles:	0
Temperature:	68 °F	Product number:	98819750	Enclosure class:	IP55
NPSH required:	15.08 ft			Insulation class:	F
Viscosity:	_____			Motor protection:	YES
Specific Gravity:	1.000			Motor type:	90C
				Motor_efficiency:	89.4 %





**Materials:**

- Pump housing: Cast iron  
ASTM A48-40 B
- Impeller: Composite PES/PP 30%  
GF
- Material code: A

Project:  
 Reference number:

Client:  
 Client number:  
 Contact:

Count	Description
-------	-------------

1	TPE3 80-150 S-A-G-A-BQQE-HCB
---	------------------------------



Product photo could vary from the actual product

Product No.: [98819750](#)

The pump is of the top-pull-out design, i.e. the power head (motor, pump head and impeller) can be removed for maintenance or service while the pump housing remains in the pipework.

The shaft seal is according to EN 12756. Pipework connection is via PN 16 ANSI flanges.

Pipework connection is via PN 16 ANSI flanges.

The pump is fitted with a fan-cooled, permanent-magnet synchronous motor. The motor efficiency is classified as IE5 in accordance with IEC 60034-30-2.

The motor includes a frequency converter and PI controller in the motor terminal box. This enables continuously variable control of the motor speed, which again enables adaptation of the performance to a given requirement.

**Controls:**

Frequency converter: Built-in

**Liquid:**

Pumped liquid: Water  
 Liquid temperature range: -13 .. 248 °F  
 Selected liquid temperature: 68 °F  
 Density: 62.29 lb/ft³

**Technical:**

Pump speed on which pump data is based: 3400 rpm  
 Actual calculated flow: 200 US gpm  
 Resulting head of the pump: 31.72 ft  
 Actual impeller diameter: 3.54 in  
 Code for shaft seal: BQQE  
 Curve tolerance: ISO9906:2012 3B2

**Materials:**

Pump housing: Cast iron  
 ASTM A48-40 B



Company name: Hurley Engineering  
Created by:  
Phone:

Date: 2/26/2020

Project:  
Reference number:

Client:  
Client number:  
Contact:

Count	Description
-------	-------------

	Impeller: EN 1561 EN-GJL-250 Composite PES/PP 30% GF
--	---

**Installation:**

Range of ambient temperature: -4 .. 122 °F  
Maximum operating pressure: PN 16 bar  
Type of connection: ANSI  
Pipe connection: DN 80  
Pressure rating for pipe connection: PN 16  
Flange size for motor: 56C

**Electrical data:**

Motor type: 90C  
IE Efficiency class: IE5  
Rated power - P2: 2 HP  
Main frequency: 60 Hz  
Rated voltage: 3 x 440-480 V  
Rated current: 2.65 A  
Cos phi - power factor: 0.87  
Rated speed: 360-4000 rpm  
IE efficiency: 89.4%  
Motor efficiency at full load: 89.4 %  
Number of poles: 0  
Enclosure class (IEC 34-5): IP55  
Insulation class (IEC 85): F  
Motor Number: 99630348

**Others:**

DOE Pump Energy Index VL: 0.42  
Net weight: 83.6 lb  
Gross weight: 103 lb  
Country of origin: HU  
Custom tariff no.: 8413.70.2022



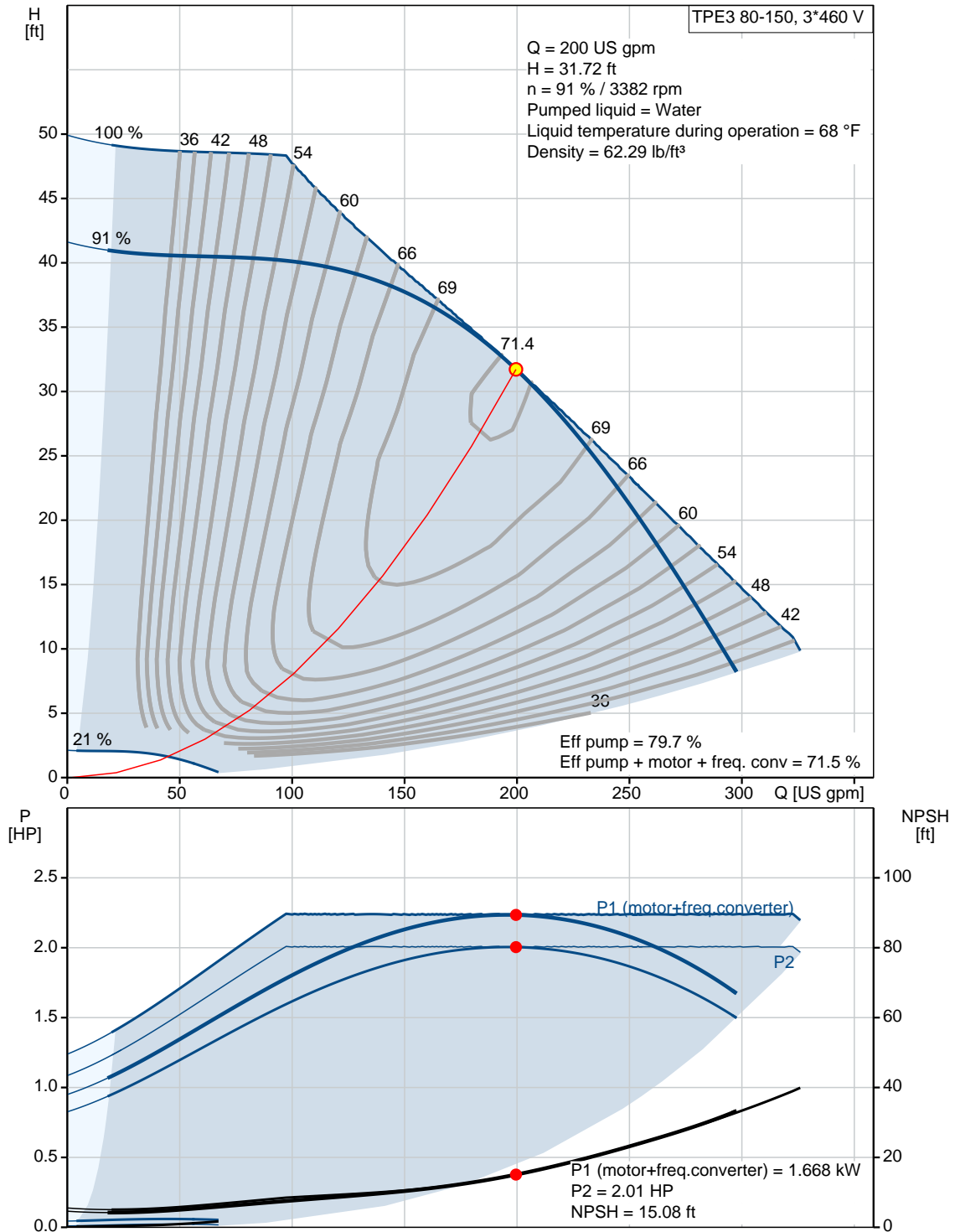
Company name: Hurley Engineering  
Created by:  
Phone:

Date: 2/26/2020

Project:  
Reference number:

Client:  
Client number:  
Contact:

### 98819750 TPE3 80-150 S-A-G-A-BQQE-HCB 60 Hz



**Project:**  
**Reference number:**

**Client:**  
**Client number:**  
**Contact:**

Description	Value
-------------	-------

**General information:**

Product name:	TPE3 80-150 S-A-G-A-BQQE-HCB
Product No.:	98819750
EAN:	5712601846233 5712601846233

**Technical:**

Pump speed on which pump data is based:	3400 rpm
Actual calculated flow:	200 US gpm
Resulting head of the pump:	31.72 ft
Head max:	49.22 ft
Actual impeller diameter:	3.54 in
Code for shaft seal:	BQQE
Curve tolerance:	ISO9906:2012 3B2
Pump version:	A
Model:	A

**Materials:**

Pump housing:	Cast iron ASTM A48-40 B EN 1561 EN-GJL-250
Impeller:	Composite PES/PP 30% GF
Material code:	A

**Installation:**

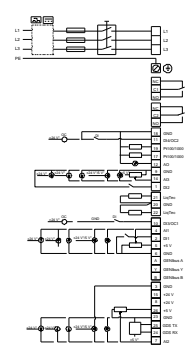
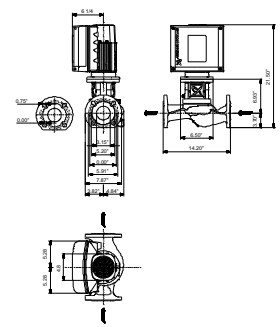
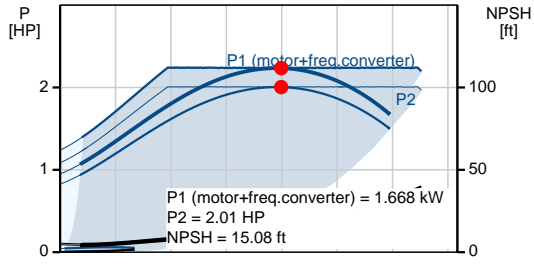
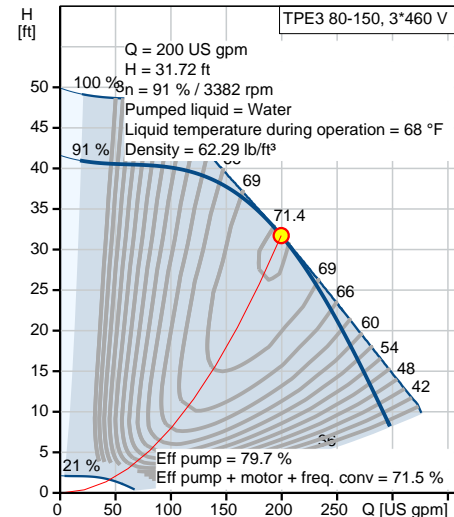
Range of ambient temperature:	-4 .. 122 °F
Maximum operating pressure:	PN 16 bar
Type of connection:	ANSI
Pipe connection:	DN 80
Pressure rating for pipe connection:	PN 16
Flange size for motor:	56C
Connect code:	G

**Liquid:**

Pumped liquid:	Water
Liquid temperature range:	-13 .. 248 °F
Selected liquid temperature:	68 °F
Density:	62.29 lb/ft³

**Electrical data:**

Motor type:	90C
IE Efficiency class:	IE5
Rated power - P2:	2 HP
Main frequency:	60 Hz
Rated voltage:	3 x 440-480 V
Rated current:	2.65 A
Cos phi - power factor:	0.87
Rated speed:	360-4000 rpm
IE efficiency:	89.4%
Motor efficiency at full load:	89.4 %





Company name: Hurley Engineering  
Created by:  
Phone:

Date: 2/26/2020

Project:  
Reference number:

Client:  
Client number:  
Contact:

Description	Value
Number of poles:	0
Enclosure class (IEC 34-5):	IP55
Insulation class (IEC 85):	F
Motor protection:	YES
Motor Number:	99630348
<b>Controls:</b>	
Control panel:	HMI300 - Graphical
Function Module:	FM300 - Advanced
Frequency converter:	Built-in
<b>Others:</b>	
DOE Pump Energy Index VL:	0.42
Net weight:	83.6 lb
Gross weight:	103 lb
Config. file no:	98484792
Country of origin:	HU
Custom tariff no.:	8413.70.2022



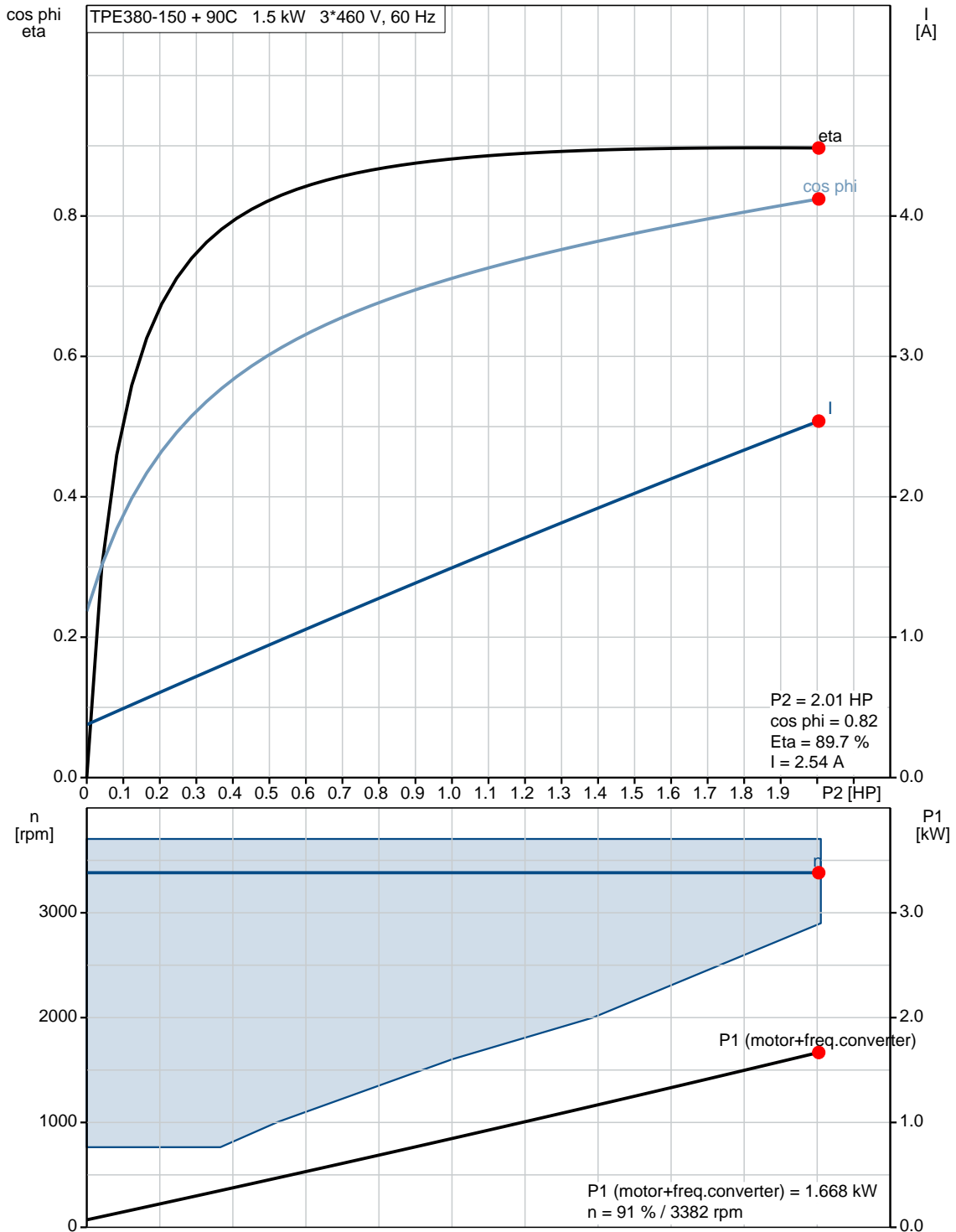
Company name: Hurley Engineering  
Created by:  
Phone:

Date: 2/26/2020

Project:  
Reference number:

Client:  
Client number:  
Contact:

### 98819750 TPE3 80-150 S-A-G-A-BQQE-HCB 60 Hz







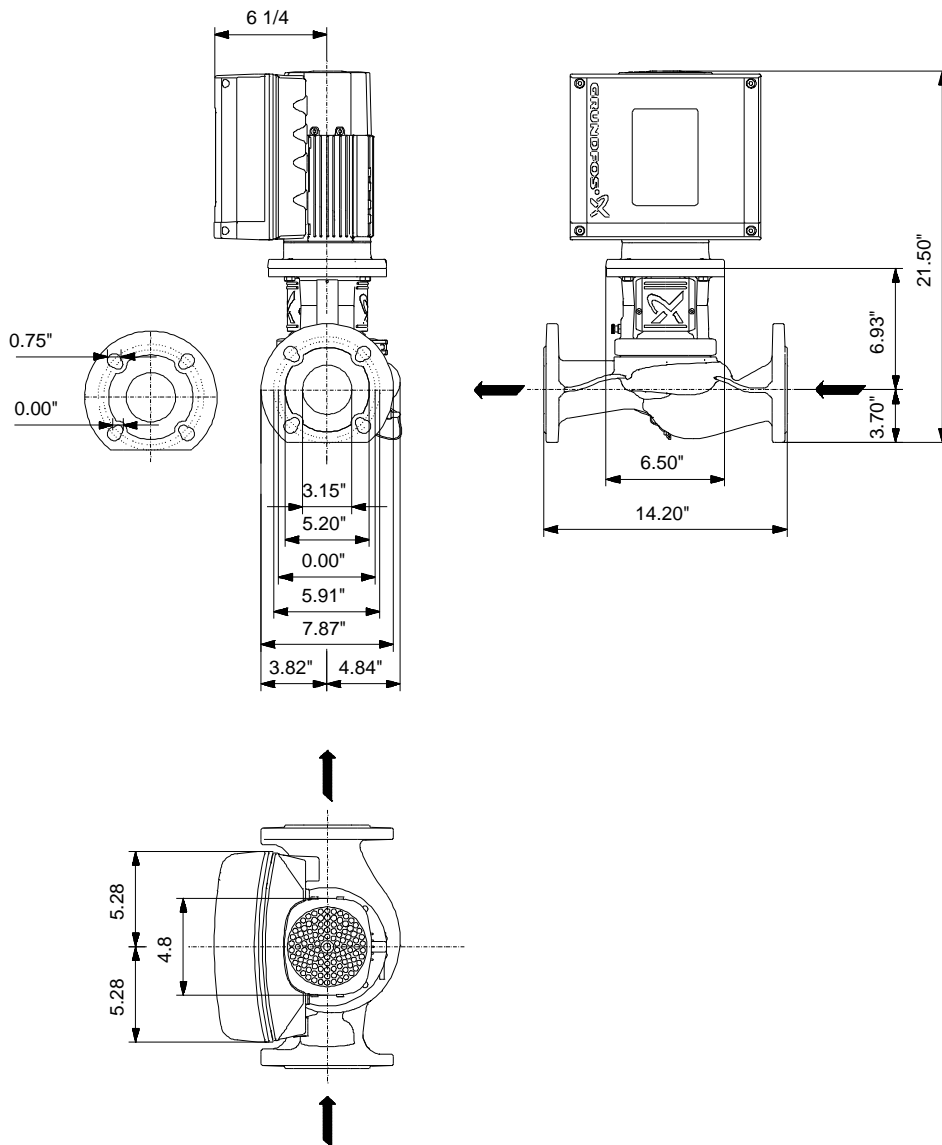
Company name: Hurley Engineering  
Created by:  
Phone:

Date: 2/26/2020

Project:  
Reference number:

Client:  
Client number:  
Contact:

## 98819750 TPE3 80-150 S-A-G-A-BQQE-HCB 60 Hz

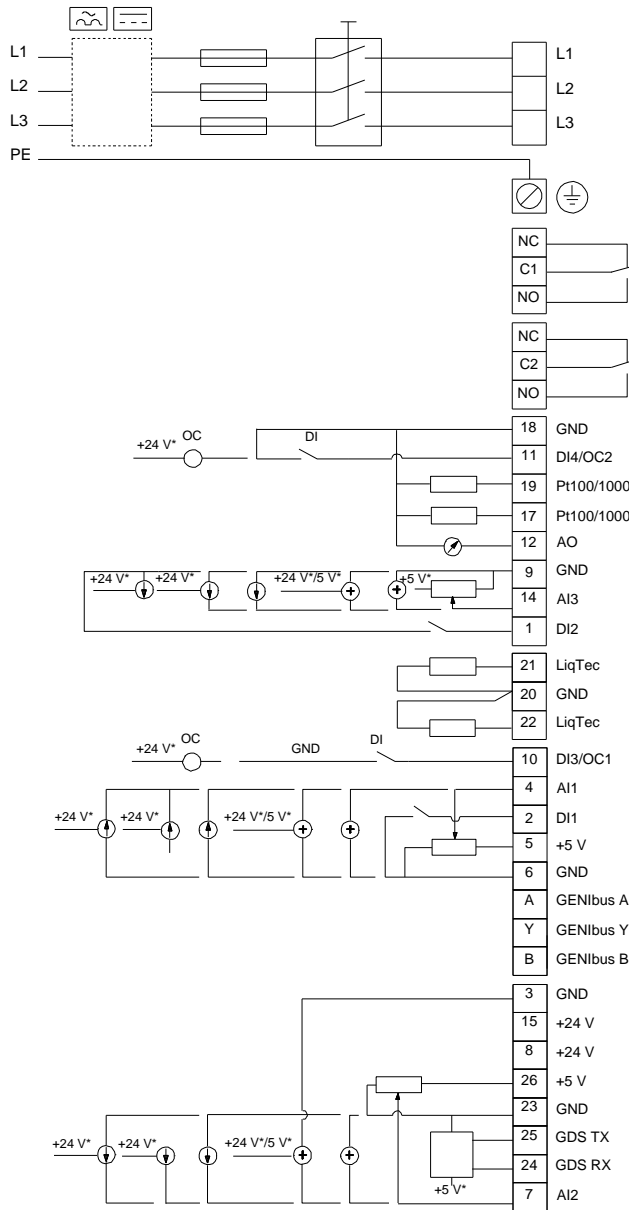


Note! All units are in [in] unless otherwise stated.  
Disclaimer: This simplified dimensional drawing does not show all details.

Project:  
 Reference number:

Client:  
 Client number:  
 Contact:

## 98819750 TPE3 80-150 S-A-G-A-BQQE-HCB 60 Hz



All units are [in] unless otherwise presented.



**Company name:** Hurley Engineering  
**Created by:**  
**Phone:**

**Date:** 2/26/2020

**Project:**  
**Reference number:**

**Client:**  
**Client number:**  
**Contact:**

**Order Data:**

Product name: TPE3 80-150 S-A-G-A-BQQE-HCB  
Amount: 1  
Product No.: 98819750

Total: Price on request