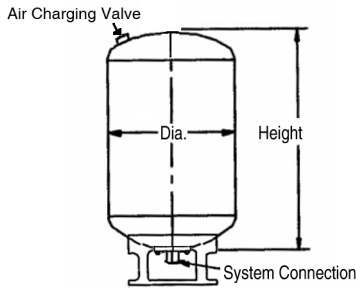
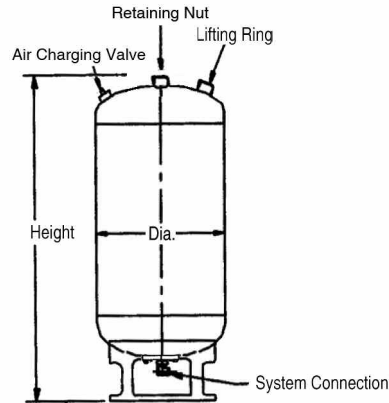


BDT “Multi-Purpose” Expansion Tank

Full Acceptance



BDT-013 THRU BDT-016



BDT-026 THRU BDT-210

PART NUMBER	ACCEPTANCE VOLUME	DIAMETER A (IN.)	HEIGHT B (IN.)	SYSTEM CONNECT IN.	WEIGHT	WORKING PRESSURE
BDT-013	13 GALLON	14	30	3/4"	50	150 PSI
BDT-016	16 GALLON	14	34	3/4"	65	150 PSI
BDT-026	26 GALLON	16	40	1"	98	150 PSI
BDT-040	40 GALLON	20	45	1"	140	150 PSI
BDT-060	60 GALLON	24	47	1 1/2"	220	150 PSI
BDT-080	80 GALLON	24	56	1 1/2"	235	150 PSI
BDT-112	112 GALLON	30	52	1 1/2"	273	150 PSI
BDT-135	135 GALLON	30	58	1 1/2"	340	150 PSI
BDT-162	162 GALLON	30	66	1 1/2"	360	150 PSI
BDT-185	185 GALLON	30	74	1 1/2"	545	200 PSI
BDT-211	211 GALLON	32	76	1 1/2"	480	150 PSI

- Suitable for Potable Water
- Epoxy Coated Cover
- Optional Stainless Steel Tank Fittings

NOTE: 175, 200, & 300 pressures are available upon request. Tank dimensions will not change.

USE: Designed to absorb expansion of fluids in typical hydronic systems. The BDT Tank is designed for storage of potable water for pressure boost systems as well as typical cooling and heating applications. Bladder material is suitable for hot water applications. Installation of tank will help eliminate constant pump use prolonging pump life and unnecessary blowing of relief valves.

SPECIFICATION:

ASME Section VIII, Division I, Stamped with Documentation
 Working Pressure: See Table Above
 Primed, Painted Exterior
 Fully Replaceable Bladder
 Fully Adjustable Field Air Charging

Maximum Temperature 240° F
 Permanent Separation of Air and Water
 Factory Air Charged to 12 P.S.I.
 Full Acceptance Bladder

Available in carbon steel construction, 304/316 stainless steel construction and other alloy construction upon request
 Dimensions are subject to change without notice, please confirm actual dimensions with factory at time of order.

JOB NAME _____
 LOCATION _____

 CONTRACTOR _____
 CONTRACTOR P.O. NO. _____

ITEMS	QUANTITY
_____	_____
_____	_____
_____	_____
_____	_____
_____	_____
_____	_____