


Count	Description
1	<p data-bbox="288 405 1394 441">HYDRO MPC E 3CRE10-04 3X208V BASIS</p> <div data-bbox="309 517 667 904"></div> <p data-bbox="692 922 1150 947">Product photo could vary from the actual product</p> <p data-bbox="288 956 568 981">Product No.: 95055326</p> <p data-bbox="288 1014 1315 1090">Pressure booster system supplied as compact packaged assembly certified and listed by UL (Category QCZJ - Packaged Pumping Systems) for conformance to U.S. and Canadian Standards.</p> <p data-bbox="288 1128 1256 1189">All pumps are speed-controlled. Each pump is equipped with an integrated variable frequency drive motor (MLE motor).</p> <ul data-bbox="339 1218 1366 1391" style="list-style-type: none">- Hydro MPC-E maintains constant pressure through continuous adjustment of the speed of the pumps.- The system performance is adapted to the demand through cutting in/out the required number of pumps and through parallel control of the pumps in operation.- Pump changeover is automatic and depends on load, operating hours and fault.- All pumps in operation will run at equal speed. <p data-bbox="288 1453 692 1478">The system consists of these parts:</p> <ul data-bbox="339 1485 1377 1565" style="list-style-type: none">- 3 vertical multistage centrifugal pumps, type CRE10-04.- Pump rotating parts in contact with the pumped liquid are made of ANSI 304 stainless steel as standard and ANSI 316 stainless steel as an option. <p data-bbox="288 1572 1291 1626">Pump bases and pump heads are made of cast iron (Class 30) as standard and ANSI 316 stainless steel as an option.</p> <p data-bbox="288 1630 1326 1684">The pumps are equipped with the service-friendly cartridge type mechanical shaft seal HQQE (SiC/SiC/EPDM).</p> <ul data-bbox="339 1688 1281 1834" style="list-style-type: none">- Suction manifold and discharge manifold made of 316 stainless steel.- Base frame made of 304 stainless steel.- One non-return valve (check valve), and two isolating valves for each pump.- Adapter with isolating valve for connection of diaphragm tank.- Pressure gauge and pressure transducer on each suction and discharge manifold. <p data-bbox="288 1839 1256 1863">Dry-running protection is standard with use of pressure transducer on suction manifold.</p> <ul data-bbox="339 1870 1382 1942" style="list-style-type: none">- Control MPC in a NEMA 4 steel control panel enclosure including main disconnect switch, all required fuses, motor protection, switching equipment and microprocessor-controlled CU 351. <p data-bbox="288 1982 799 2007">Diaphragm tank is available as an accessory.</p>



Company name: Hurley Engineering
 Created by:
 Phone:

Date: 3/20/2020

Count	Description
	<p>Pump operation is controlled by Control MPC with the following features/functions:</p> <ul style="list-style-type: none"> - Advanced multi-pump controller (CU 351), specifically designed to control parallel operation of multiple pumps - PID controller with adjustable PI parameters (Kp + Ti) - Constant pressure at setpoint, independent of inlet pressure - Stop function (no flow shutdown) - Automatic cascade control of pumps for optimum efficiency. - Selection of min. time between start/stop, automatic pump changeover and pump priority - Automatic pump test function to prevent idle pumps from seizing up - Standby pump allocation capability - Redundant primary sensor capability - Manual operation - Proportional pressure control - Forced pump changeover - Clock program - Soft pressure build-up - External setpoint influence (via analog input) - Emergency run (via digital input) - Password protection - Possibility of digital remote-control functions (via digital inputs): <ul style="list-style-type: none"> • system on/off • max., min. or user-defined duty • up to 6 alternative setpoints. <ul style="list-style-type: none"> - Digital inputs and outputs can be configured individually - Pump and system monitoring functions: • minimum and maximum limits of current value (flow, level, temp., etc.) • inlet pressure • motor protection • high system pressure • low system pressure • pump curve data loaded into controller to provide end of curve protection • alarm log with the previous 24 warnings/alarms <ul style="list-style-type: none"> - Display and indication functions: • 320 x 240 pixels graphical display with backlight • green indicator light for operating indications and red indicator light for fault indications • potential-free changeover contacts for operation and fault. <ul style="list-style-type: none"> - Grundfos bus communication with optional gateway connections for LON, Modbus, Profibus, BACnet, GSM - Ethernet connection (built-in web server) <p>Pre-fabricated and tested packaged pump system including pumps, piping, and wiring complete with Control MPC.</p> <p>Flow media: Water Allowed liquid temp.: 32 °F .. 140 °F System pressure max.: 232.06 psi Flow (Plant): 203 US gpm Flow without one stand-by pump acc. DIN 1988/T5: 203 US gpm Flow (Pump): 120 US gpm Head: 178.4 ft Mains suply: 3X208-230V, 60 Hz Nom. current of plant: 27.9 A Number of main pumps: 3 Nominal power: 3 HP</p>



Company name: Hurley Engineering
Created by:
Phone:

Date: 3/20/2020

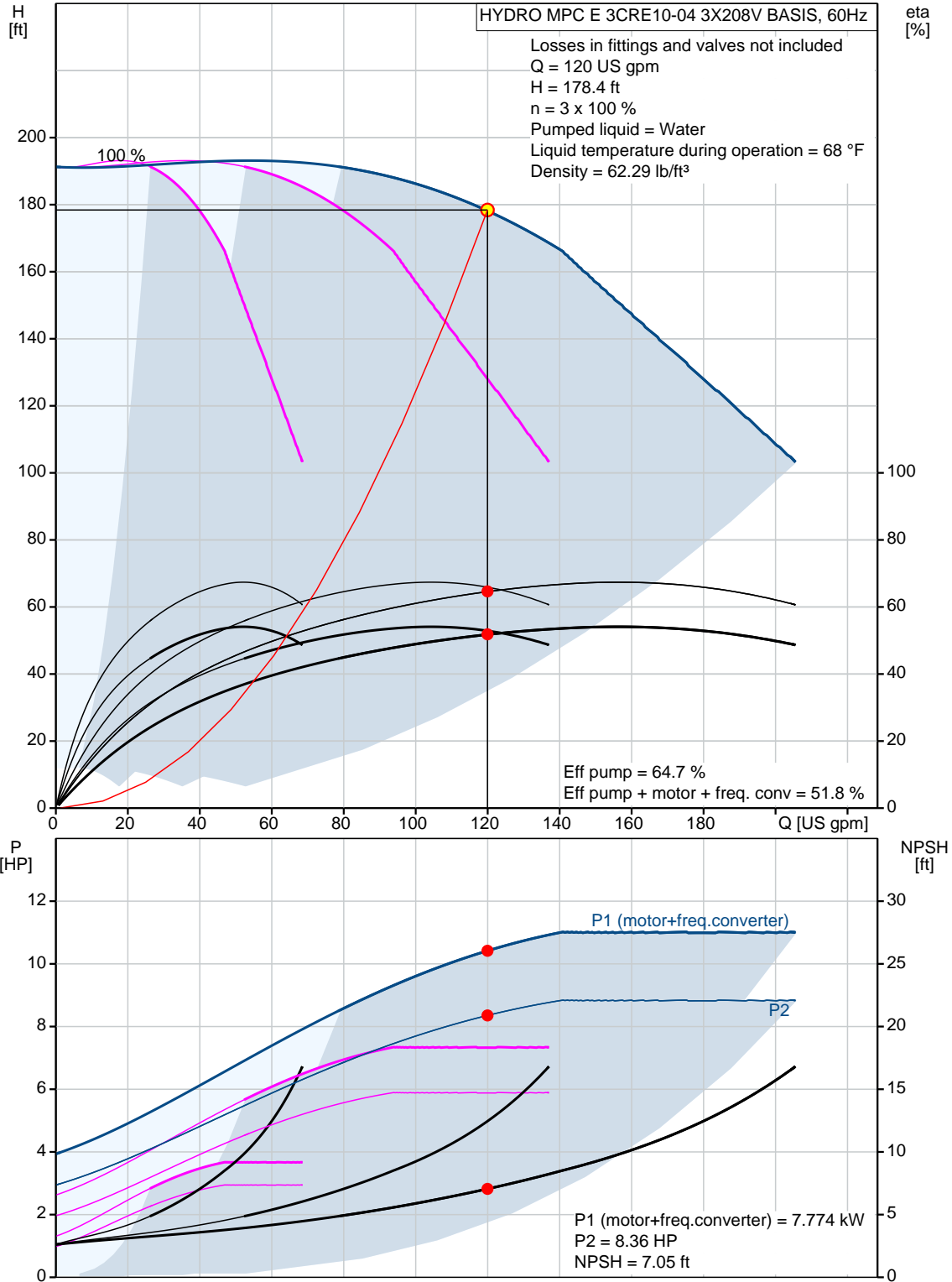
Count	Description
	Starting main: electronically Suction port: 76 Discharge port: 76 Net weight: 745 lb



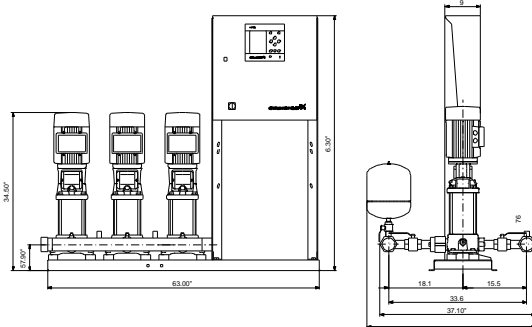
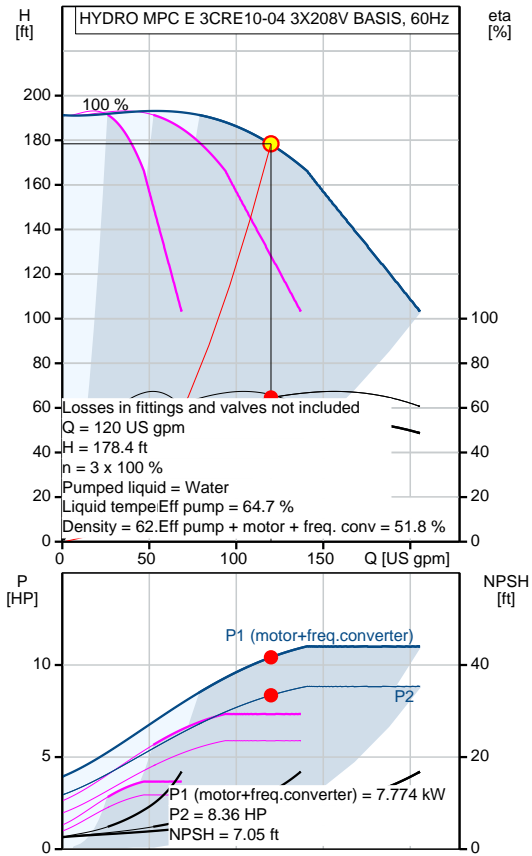
Company name: Hurley Engineering
Created by:
Phone:

Date: 3/20/2020

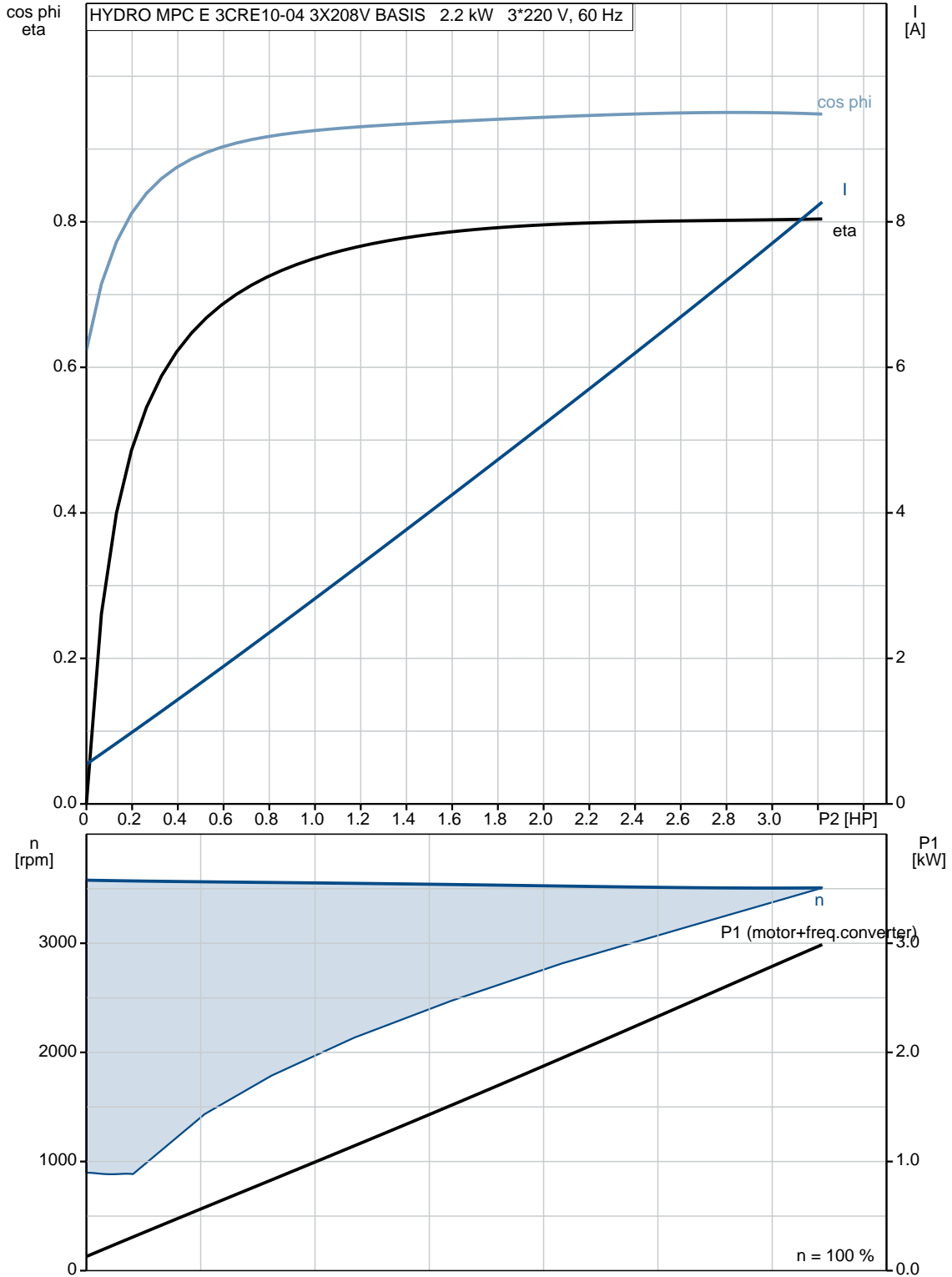
95055326 HYDRO MPC E 3CRE10-04 3X208V BASIS 60 Hz



Description	Value
General information:	
Product name:	HYDRO MPC E 3CRE10-04 3X208V BASIS
Product No.:	95055326
EAN:	5700836979000
	5700836979000
Technical:	
Actual calculated flow:	120 US gpm
Max flow:	203 US gpm
Max flow system:	203 US gpm
Resulting head of the pump:	178.4 ft
Head max:	192.6 ft
Impellers main:	4
Main pump name:	CRE10-04
Main pump Number:	96705085
Number of pumps:	3
Non-ret. valve:	at discharge side
Installation:	
Maximum operating pressure:	232.06 psi
Maximum permissible inlet pressure:	116.03 psi
Flange standard:	NPT
Pump inlet:	76
Pump outlet:	76
Liquid:	
Pumped liquid:	Water
Liquid temperature range:	32 .. 140 °F
Selected liquid temperature:	68 °F
Density:	62.29 lb/ft³
Electrical data:	
Power (P2) main pump:	3 HP
Main frequency:	60 Hz
Rated voltage:	3 x 3X208-230V, 60 Hz
Starting main:	electronically
Rated current of system:	27.9 A
Enclosure class (IEC 34-5):	UL Type 3R/12
Controls:	
Control type:	E
Operation unit:	CU 352
Tank:	
Diaphragm tank:	No
Others:	
Net weight:	745 lb
Language:	EN
Product range:	NAMREG
Configuration file Hydro MPC:	95043547
Country of origin:	US
Custom tariff no.:	8413.70.2040



95055326 HYDRO MPC E 3CRE10-04 3X208V BASIS 60 Hz

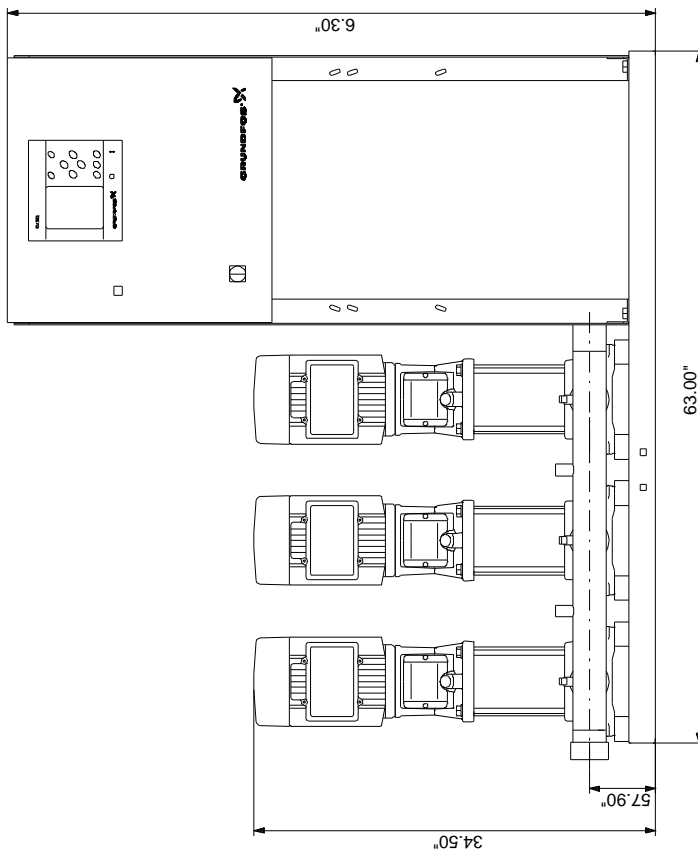
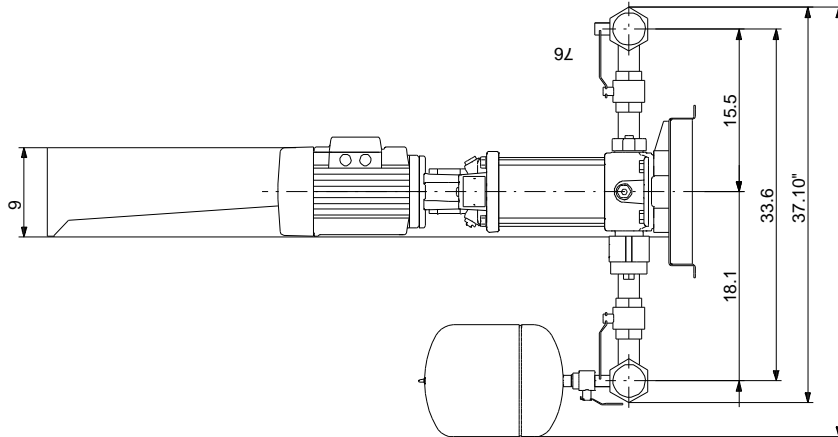




Company name: Hurley Engineering
Created by:
Phone:

Date: 3/20/2020

95055326 HYDRO MPC E 3CRE10-04 3X208V BASIS 60 Hz



Note! All units are in [in] unless otherwise stated.
Disclaimer: This simplified dimensional drawing does not show all details.