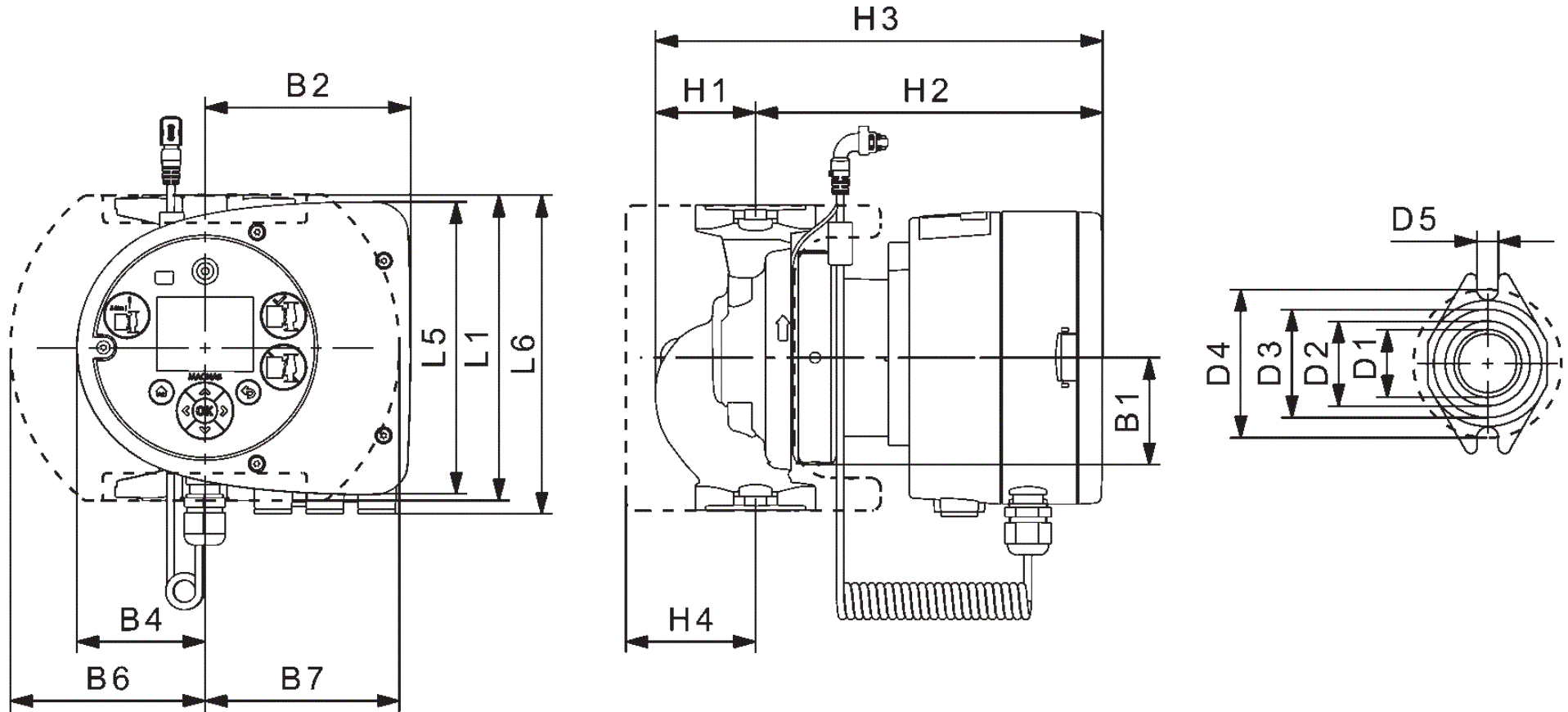


Grundfos Series MAGNA 3 - Wet Rotor, Inline with Integrated VFD



NOT FOR CONSTRUCTION, unless certified and referenced on order

Units	L1	L5	L6	B1	B2	B4	B6	B7	D1	D2	D3	D4	D5	H1	H2	H3	H4	Weight (lb)
inches	6.50	6.23	6.62	2.29	4.38	2.72	4.18	4.18	1.26	1.82	2.29	3.15	0.46	2.13	7.37	9.49	2.76	14.2