

PROJECT:	Magna-3	UNIT TAG:	_____	QUANTITY:	1
REPRESENTATIVE:	Hurley Engineering	TYPE OF SERVICE:	Stainless Steel Pump Configuration	DATE:	_____
ENGINEER:	TBD	SUBMITTED BY:	Devin Carle	DATE:	_____
CONTRACTOR:	TBD	APPROVED BY:	_____	DATE:	_____
		ORDER NO.:	_____	DATE:	_____

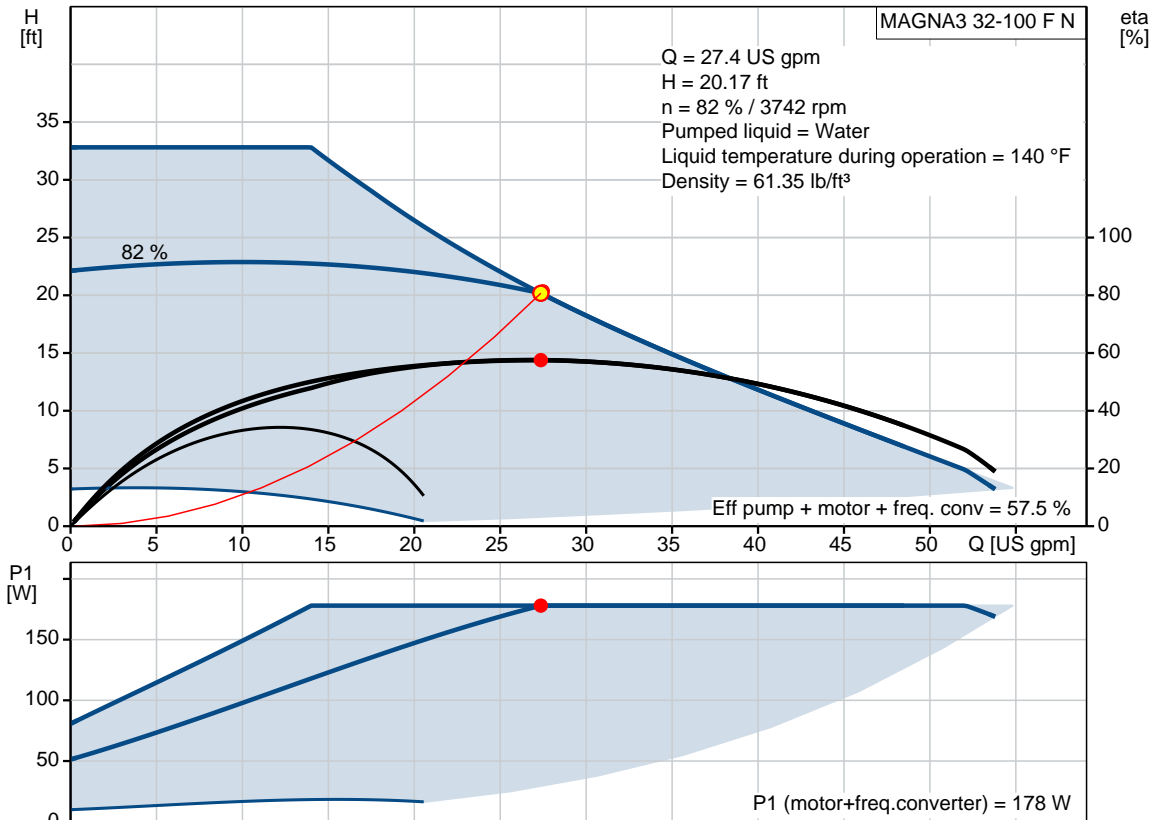


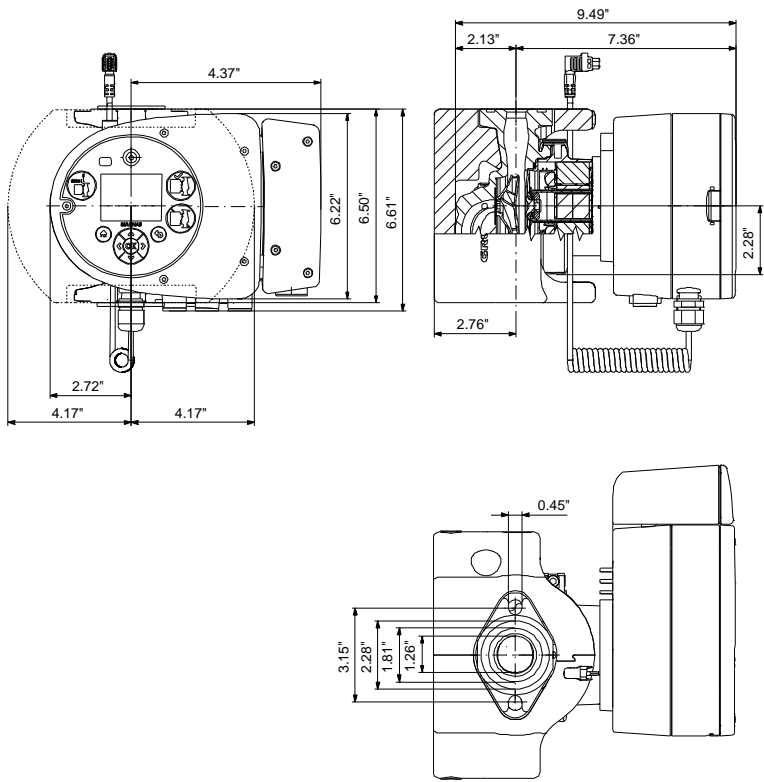
### MAGNA3 32-100 F N

Full range of intelligent, high-efficiency circulators for heating, cooling, ground source heat pump systems and domestic hot water applications

Product photo could vary from the actual product

Conditions of Service		Pump Data		Motor Data	
Flow:	27.4 US gpm	Maximum operating pressure:	174.05 psi	P1 max:	9.7 .. 178 W
Head:	20.17 ft	Liquid temperature range:	14 .. 230 °F	Rated voltage:	115-230 V
Efficiency:	57.5 %	Maximum ambient temperature:	104 °F	Main frequency:	60 Hz
Liquid:	Water	Approvals:	98544604	Enclosure class:	X4D
Temperature:	140 °F	Flange standard:	GF	Insulation class:	F
NPSH required:	ft	Pipe connection:	GF15/26/40/43		
Viscosity:	_____	Product number:	98126826		
Specific Gravity:	0.985				






**Materials:**

Pump housing: Stainless steel  
 EN 1.4308  
 ASTM 351 CF8

Impeller: PES 30%GF

Count	Description
1	<p data-bbox="288 405 544 441"><b>MAGNA3 32-100 F N</b></p> <div data-bbox="347 465 639 728" style="text-align: center;">  </div> <p data-bbox="692 707 1150 734" style="text-align: center;">Product photo could vary from the actual product</p> <p data-bbox="288 741 568 768">Product No.: <a href="#">98126826</a></p> <p data-bbox="288 801 1372 909"> <b>MAGNA3 – More than a pump</b>                      With its unrivalled efficiency, all-encompassing range and built-in communication capabilities plus functionalities replacing system components, the MAGNA3 is ideal for engineers and specifiers looking to create high-performance systems for buildings.                 </p> <p data-bbox="288 918 1337 969">                     This pump in the Grundfos Master Class will fit both heating and cooling applications perfectly, making it the obvious choice for almost any building project – old or new.                 </p> <p data-bbox="288 1003 1361 1144">                     The MAGNA3 is of the canned-rotor type, i.e. pump and motor form an integral unit without shaft seal and with only two gaskets for sealing. The bearings are lubricated by the pumped liquid. The innovative clamp with only one screw enables easy repositioning of the pump head. The MAGNA3 is a pump with no maintenance requirements and with extremely low Life Cycle Cost.                 </p> <p data-bbox="288 1178 890 1507">                     The pump is characterised by the following:                     <ul style="list-style-type: none"> <li>• controller integrated in the control box</li> <li>• control panel with TFT display on the control box</li> <li>• control box prepared for optional CIM modules</li> <li>• built-in differential-pressure and temperature sensor</li> <li>• cast-iron pump housing (depending on model)</li> <li>• carbon-fiber-reinforced composite rotor can</li> <li>• stainless-steel bearing plate and rotor cladding</li> <li>• aluminium alloy stator housing</li> <li>• air-cooled power electronics</li> </ul>                     The MAGNA3 is a single-phase pump.                 </p> <p data-bbox="288 1541 1329 1944"> <b>Characteristic features</b> <ul style="list-style-type: none"> <li>• AUTOADAPT.</li> <li>• FLOWADAPT and FLOWLIMIT (more than a pump function as it reduces the need for pump throttling valves).</li> <li>• Proportional-pressure control.</li> <li>• Constant-pressure control.</li> <li>• Constant-temperature control.</li> <li>• Constant-curve duty.</li> <li>• Max. or min. curve duty.</li> <li>• Automatic Night Setback.</li> <li>• No external motor protection required.</li> <li>• Insulating shells supplied with single-head pumps for heating systems.</li> <li>• Large temperature range where the liquid temperature and the ambient temperature are independent of each other.</li> </ul> </p> <p data-bbox="288 1977 475 2004">Communication</p>



Company name: Hurley Engineering  
Created by:  
Phone:

Date: 3/19/2020

Count	Description																																																						
	<p>The MAGNA3 enables communication via the following:</p> <ul style="list-style-type: none"><li>• wireless Grundfos GO Remote</li><li>• fieldbus communication via CIM modules</li><li>• digital inputs</li><li>• relay outputs</li><li>• analog input (more than a pump function as heat energy meter)</li></ul> <p>Motor and electronic controller</p> <p>The MAGNA3 incorporates a 4-pole synchronous, permanent-magnet motor (PM motor). This motor type is characterised by higher efficiency than a conventional asynchronous squirrel-cage motor.</p> <p>The pump speed is controlled by an integrated frequency converter.</p> <p>A differential-pressure and temperature sensor is incorporated in the pump.</p> <p><b>Liquid:</b></p> <table><tr><td>Pumped liquid:</td><td>Water</td></tr><tr><td>Liquid temperature range:</td><td>14 .. 230 °F</td></tr><tr><td>Selected liquid temperature:</td><td>140 °F</td></tr><tr><td>Density:</td><td>61.35 lb/ft<sup>3</sup></td></tr></table> <p><b>Technical:</b></p> <table><tr><td>Actual calculated flow:</td><td>27.4 US gpm</td></tr><tr><td>Resulting head of the pump:</td><td>20.17 ft</td></tr><tr><td>TF class:</td><td>110</td></tr><tr><td>Approvals on nameplate:</td><td>98544604</td></tr></table> <p><b>Materials:</b></p> <table><tr><td>Pump housing:</td><td>Stainless steel EN 1.4308 ASTM 351 CF8</td></tr><tr><td>Impeller:</td><td>PES 30%GF</td></tr></table> <p><b>Installation:</b></p> <table><tr><td>Range of ambient temperature:</td><td>32 .. 104 °F</td></tr><tr><td>Maximum operating pressure:</td><td>174.05 psi</td></tr><tr><td>Flange standard:</td><td>GF</td></tr><tr><td>Pipe connection:</td><td>GF15/26/40/43</td></tr><tr><td>Pressure stage:</td><td>PN12</td></tr><tr><td>Port-to-port length:</td><td>6 1/2 in</td></tr></table> <p><b>Electrical data:</b></p> <table><tr><td>Power input - P1:</td><td>9.7 .. 178 W</td></tr><tr><td>Main frequency:</td><td>60 Hz</td></tr><tr><td>Rated voltage:</td><td>1 x 115-230 V</td></tr><tr><td>Maximum current consumption:</td><td>0.29 .. 1.61 A</td></tr><tr><td>Enclosure class (IEC 34-5):</td><td>X4D</td></tr><tr><td>Insulation class (IEC 85):</td><td>F</td></tr></table> <p><b>Others:</b></p> <table><tr><td>Energy (EEI):</td><td>0.18</td></tr><tr><td>Net weight:</td><td>14.6 lb</td></tr><tr><td>Gross weight:</td><td>18 lb</td></tr><tr><td>Shipping volume:</td><td>748 ft<sup>3</sup></td></tr><tr><td>Country of origin:</td><td>US</td></tr></table>	Pumped liquid:	Water	Liquid temperature range:	14 .. 230 °F	Selected liquid temperature:	140 °F	Density:	61.35 lb/ft <sup>3</sup>	Actual calculated flow:	27.4 US gpm	Resulting head of the pump:	20.17 ft	TF class:	110	Approvals on nameplate:	98544604	Pump housing:	Stainless steel EN 1.4308 ASTM 351 CF8	Impeller:	PES 30%GF	Range of ambient temperature:	32 .. 104 °F	Maximum operating pressure:	174.05 psi	Flange standard:	GF	Pipe connection:	GF15/26/40/43	Pressure stage:	PN12	Port-to-port length:	6 1/2 in	Power input - P1:	9.7 .. 178 W	Main frequency:	60 Hz	Rated voltage:	1 x 115-230 V	Maximum current consumption:	0.29 .. 1.61 A	Enclosure class (IEC 34-5):	X4D	Insulation class (IEC 85):	F	Energy (EEI):	0.18	Net weight:	14.6 lb	Gross weight:	18 lb	Shipping volume:	748 ft <sup>3</sup>	Country of origin:	US
Pumped liquid:	Water																																																						
Liquid temperature range:	14 .. 230 °F																																																						
Selected liquid temperature:	140 °F																																																						
Density:	61.35 lb/ft <sup>3</sup>																																																						
Actual calculated flow:	27.4 US gpm																																																						
Resulting head of the pump:	20.17 ft																																																						
TF class:	110																																																						
Approvals on nameplate:	98544604																																																						
Pump housing:	Stainless steel EN 1.4308 ASTM 351 CF8																																																						
Impeller:	PES 30%GF																																																						
Range of ambient temperature:	32 .. 104 °F																																																						
Maximum operating pressure:	174.05 psi																																																						
Flange standard:	GF																																																						
Pipe connection:	GF15/26/40/43																																																						
Pressure stage:	PN12																																																						
Port-to-port length:	6 1/2 in																																																						
Power input - P1:	9.7 .. 178 W																																																						
Main frequency:	60 Hz																																																						
Rated voltage:	1 x 115-230 V																																																						
Maximum current consumption:	0.29 .. 1.61 A																																																						
Enclosure class (IEC 34-5):	X4D																																																						
Insulation class (IEC 85):	F																																																						
Energy (EEI):	0.18																																																						
Net weight:	14.6 lb																																																						
Gross weight:	18 lb																																																						
Shipping volume:	748 ft <sup>3</sup>																																																						
Country of origin:	US																																																						



Company name: Hurley Engineering  
Created by:  
Phone:

Date: 3/19/2020

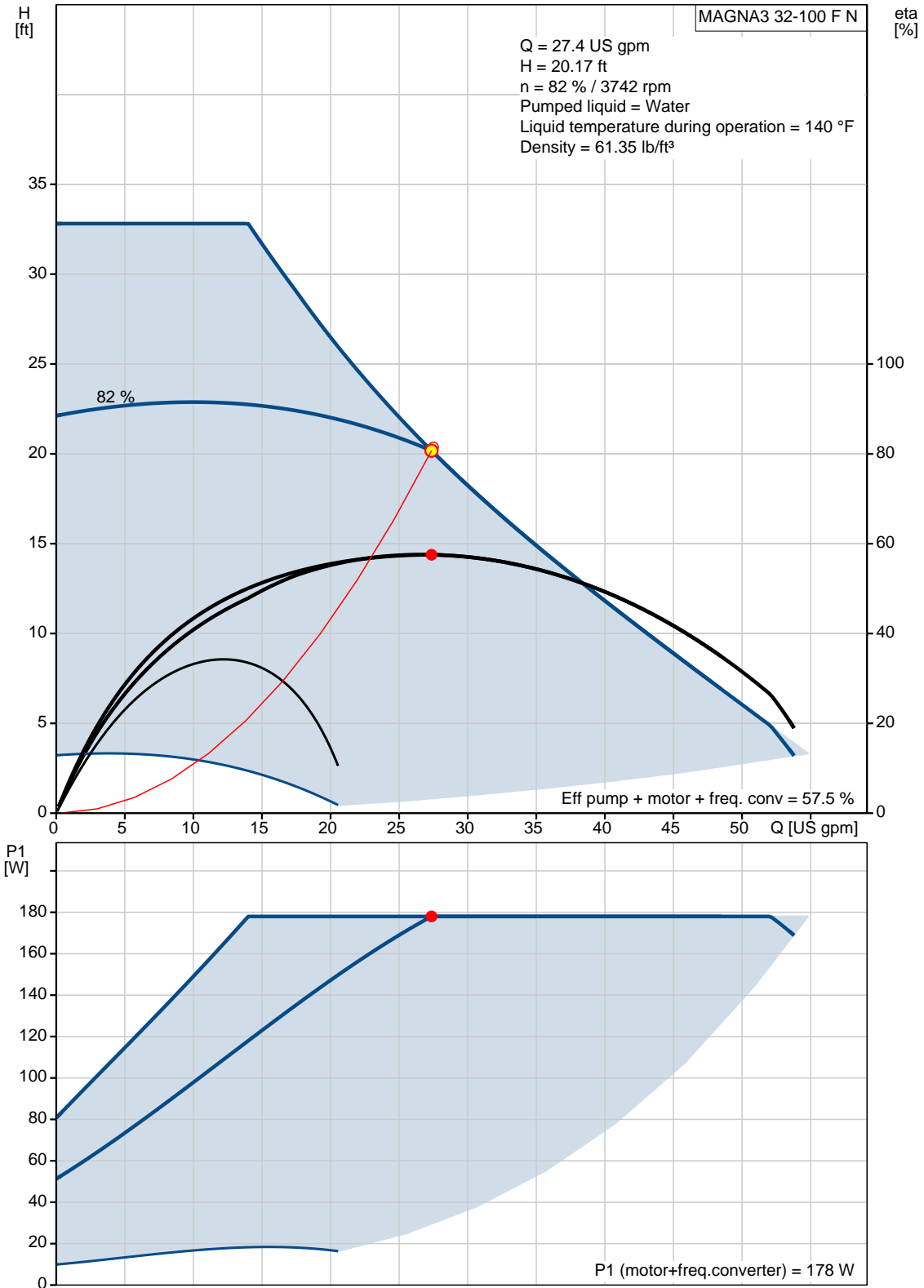
Count	Description
	Custom tariff no.: 8413.70.2005



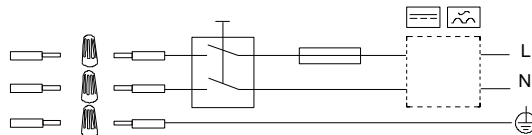
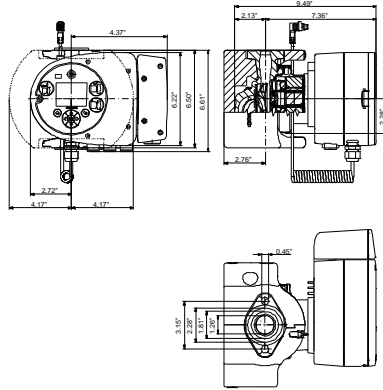
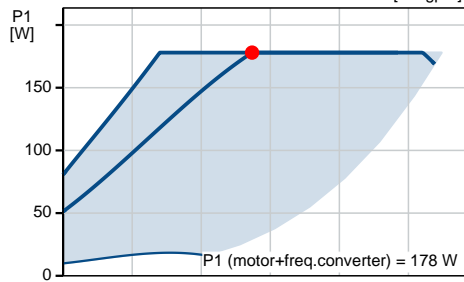
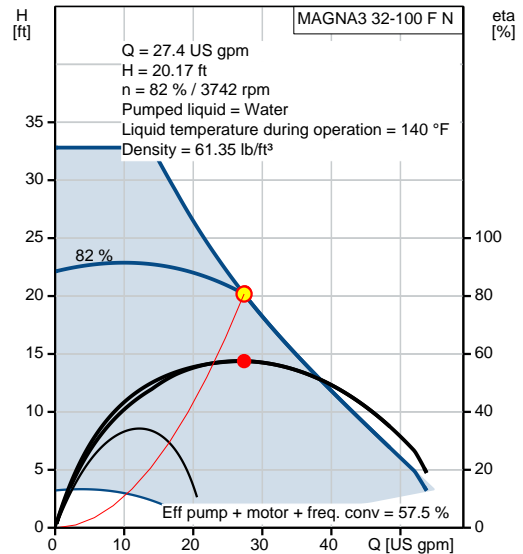
Company name: Hurley Engineering  
Created by:  
Phone:

Date: 3/19/2020

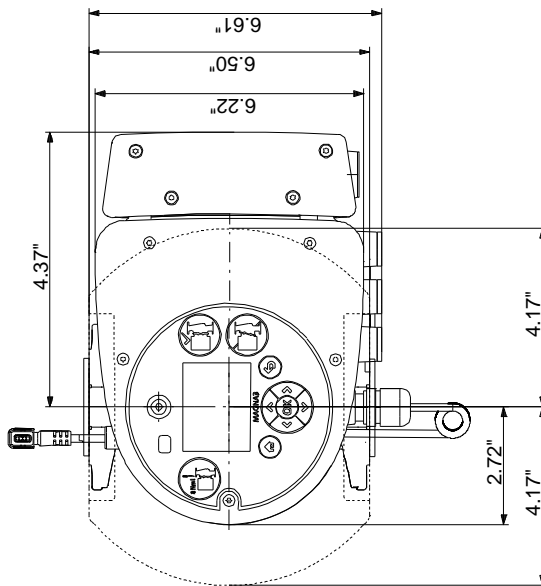
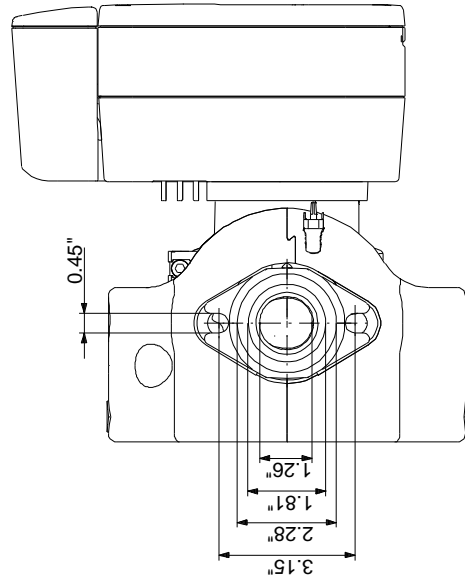
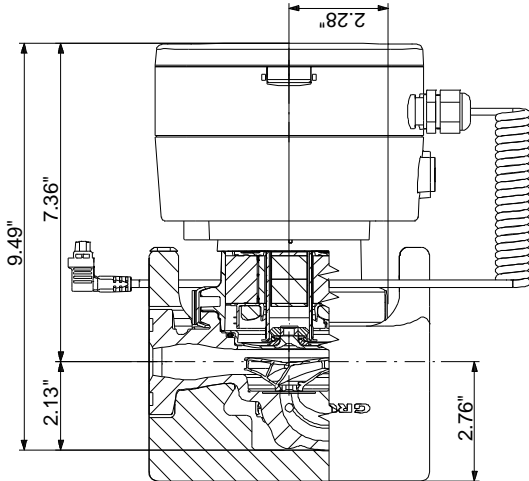
### 98126826 MAGNA3 32-100 F N 60 Hz



Description	Value
<b>General information:</b>	
Product name:	MAGNA3 32-100 F N
Product No.:	98126826
EAN:	5710629499882
	5710629499882
<b>Technical:</b>	
Actual calculated flow:	27.4 US gpm
Resulting head of the pump:	20.17 ft
Head max:	32.81 ft
TF class:	110
Approvals on nameplate:	98544604
Model:	D
<b>Materials:</b>	
Pump housing:	Stainless steel EN 1.4308 ASTM 351 CF8
Impeller:	PES 30%GF
<b>Installation:</b>	
Range of ambient temperature:	32 .. 104 °F
Maximum operating pressure:	174.05 psi
Flange standard:	GF
Pipe connection:	GF15/26/40/43
Pressure stage:	PN12
Port-to-port length:	6 1/2 in
<b>Liquid:</b>	
Pumped liquid:	Water
Liquid temperature range:	14 .. 230 °F
Selected liquid temperature:	140 °F
Density:	61.35 lb/ft <sup>3</sup>
<b>Electrical data:</b>	
Power input - P1:	9.7 .. 178 W
Main frequency:	60 Hz
Rated voltage:	1 x 115-230 V
Maximum current consumption:	0.29 .. 1.61 A
Enclosure class (IEC 34-5):	X4D
Insulation class (IEC 85):	F
<b>Others:</b>	
Energy (EEI):	0.18
Net weight:	14.6 lb
Gross weight:	18 lb
Shipping volume:	748 ft <sup>3</sup>
Country of origin:	US
Custom tariff no.:	8413.70.2005



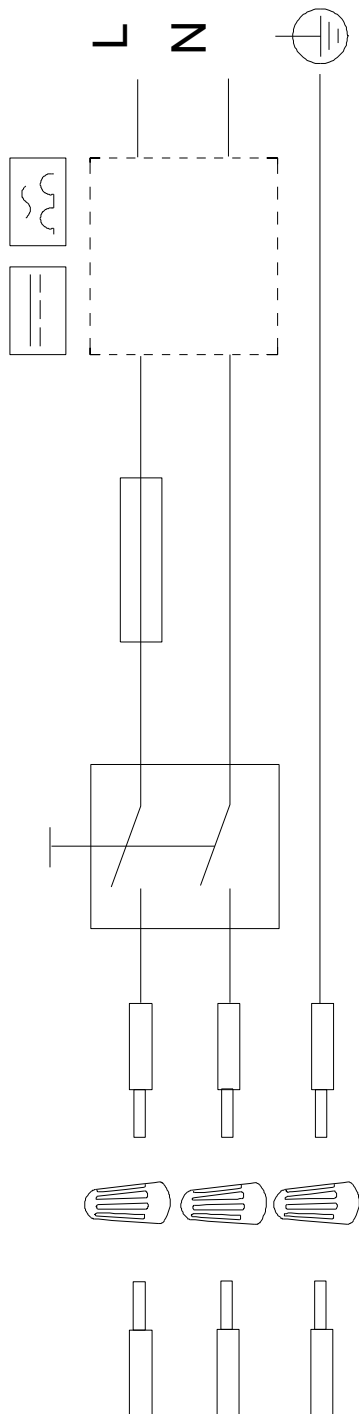
## 98126826 MAGNA3 32-100 F N 60 Hz



Note! All units are in [in] unless otherwise stated.  
Disclaimer: This simplified dimensional drawing does not show all details.



**98126826 MAGNA3 32-100 F N 60 Hz**



All units are [in] unless otherwise presented.