

# BF15 SERIES BOTTLE FILLER

## Surface Mount Pushbutton Operated Bottle Filler Featuring Triple Clear Force Field Filter™ Technology

### STANDARD FEATURES

- Patented Force Field Filter™ Technology
  - Murdock Water Filter
  - NSF 53, 61, 42 Certified
  - 100-Mesh Inlet Strainer
  - Laminar Flow Water Supply
  - 1 GPM Fill Rate
  - Lead-free
  - Fold Down Housing for Easy Maintenance Access
  - Universal Mounting Points for Easy Retrofit Capability
  - ADA Compliant when Installed Correctly
- (Refer to 2010 ADA Standards for accessible design for complete installation requirements—particularly if located on an accessible route or circulation path. Compliance is subject to the interpretation and requirements of the local code authority).



### SUGGESTED SPECIFICATIONS

Model BF15 is a Surface Mount Pushbutton Operated Bottle Filler featuring Force Field Filter Technology. Bottle Filling unit shall include Pushbutton Operated Activation and provide approximately 1 GPM flow rate with a Laminar Flow Spout to minimize splashing. Housing has a slim and trim look that blends into your environment. Designed for Maintenance Advantage installation and service. When installed properly, the Bottle Filler complies with ADA forward and side reach requirements. Bottle Filler is fabricated of type 304 stainless steel polished to a satin finish with antimicrobial impact resistant ABS surfaces. Unit is certified to ANSI A117.1, Public Law 111-380 (NO-LEAD), CHSC 116875 and NSF/ANSI 61, Section 9.

## FORCE FIELD™

Water Purification via Advanced Filtering

Triple Clear's Force Field Filter Technology triple filter purifies and protects water using mechanical filtering, carbon filtering and electroadsorptive technology (science originally developed for NASA). Water passes through the filter's 400 layers of mechanical filtration, powdered carbon and a naturally occurring positively charged "force field" that, like a magnet, attracts, captures and kills negatively charged contaminants.

Independent testing\* has proven that Force Field Filters remove greater than 99.9% of viruses (i.e. MS2 virus, norovirus), bacteria (i.e. E. coli, Pseudomonas and Legionella) and parasites (i.e. Giardia, Cryptosporidium). They also effectively remove a wide range of submicron particulates (i.e. sand and rust), heavy metals (i.e. Lead and Chromium VI), trace pharmaceuticals (i.e. BPH), and many other chemical residues.

Unlike other submicron filters, Force Field Filters keep out the bad stuff, while keeping the good stuff in water. They also offer better flow, require very little pressure loss to operate, are easy to maintain and are completely chemical-free and environmentally-friendly.

Force Field Filters are the ultimate choice for providing safe, clean and delicious water to your customers. Our filters contain a mechanical fail safe, so that when used as directed, they provide superior protection.

Bottle Filler complies with the following standards:

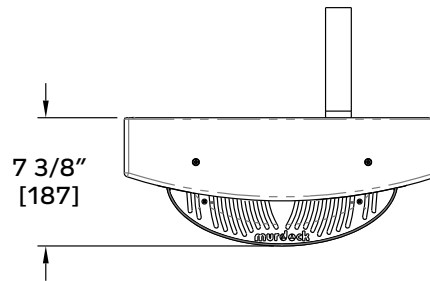


Force Field Filter complies with the following standards:

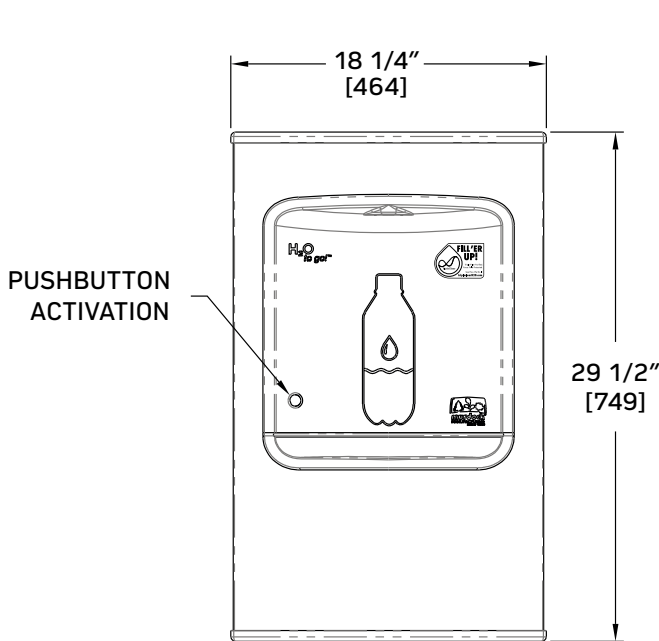
# BF15 SERIES BOTTLE FILLER

## GENERAL NOTES

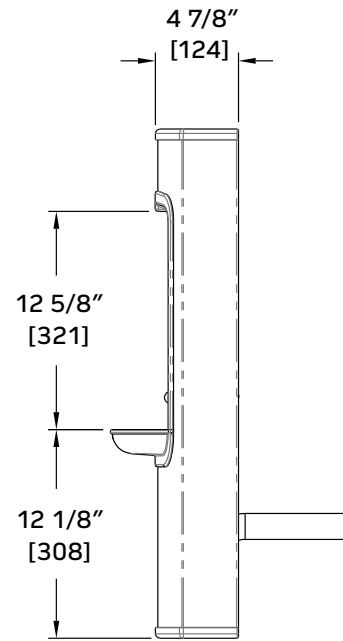
All dimensions are in inches [MM]



**TOP VIEW**



**FRONT VIEW**



**SIDE VIEW**

## MODELS

- BF15-TCWS Surface Mounted Pushbutton Operated Bottle Filler\*\* Featuring Triple Clear Force Field Filter™ Technology

## OPTIONS *(additional costs may be incurred)*

- Custom Logo/Graphics
- Bottle Counter Display
- Sensor (BF16 model)
- Chilled (8 gph capacity)

## WARRANTY

Murdock Mfg.™ warrants that its products are free from defects in material or workmanship under normal use and service for a period of 18 months from date of shipment. The sealed refrigeration system is warranted for five years. Murdock's liability under this warranty shall be discharged solely by replacement or repair of defective material, provided Murdock™ is notified in writing within one year from date of shipment, F.O.B. Industry, California. Triple Clear warrants that its filtration products are free from defects in material or workmanship under normal use and service for a period of 12 months from date of shipment. Triple Clear's liability under this warranty shall be discharged solely by replacement or repair of defective product, provided Triple Clear is notified in writing within one year from date of shipment, F.O.B. Triple Clear's distribution center.

## DISCLAIMER

All dimensions are subject to manufacturer's tolerance of plus or minus 1/2" nominal and subject to change without notice. Murdock assumes no responsibility for use of void or superseded data. Dimensions may change with the addition of optional accessories. Murdock Mfg.™, Member of Morris Group International™. Please visit [www.murdockmfg.com](http://www.murdockmfg.com) for most current specifications

\*Tested by a certified laboratory in the U.S. (testing was done at 6.5 pH) \*\*U.S. PATENT PENDING

**⚠ WARNING: Cancer and Reproductive Harm - [www.P65Warnings.ca.gov](http://www.P65Warnings.ca.gov)**