

FORCE FIELD FILTER™ POINT-OF-ENTRY SYSTEM

Firewall Filtration™ Gives You: Bottled-Quality Water from Every Tap More Efficient Mechanical Systems HAPPY TENANTS AND GUESTS

Protecting the health and safety of patients, tenants and guests is the #1 job for any responsible building owner and operator or plumbing engineer. Adding a Triple Clear Point-of-Entry System is the most cost-effective, energy-efficient, environmentally-friendly solution creating a firewall for your entire building's domestic water supply.

Using no chemicals, almost no power, and 99% less water than RO systems, Triple Clear's system removes system-clogging grit, potentially dangerous micro biologicals, heavy metals like lead, and cellular debris that causes efficiency-sapping biofilms.

As recent headlines have reminded us, just because water leaves the treatment plant clean, that doesn't mean it reaches your building that way!

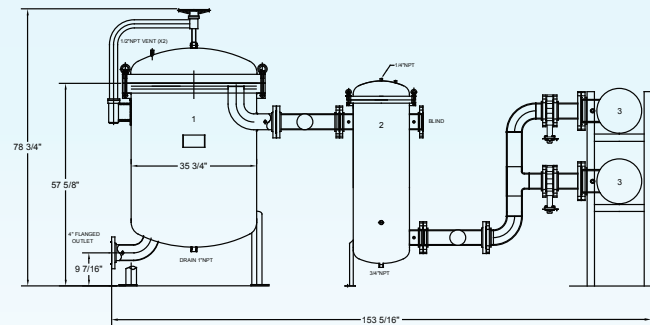
Miles of pipe contain leaks, debris, lead, biofilm, rust and other contaminants that can degrade water quality before it enters your plumbing system.

**Don't take chances with your water.
Upgrade to Triple Clear today!**

FEATURES:

- Pre-packaged POE solutions from 6 gpm - 400 gpm. Custom up to 1200 gpm
- Removes particulate matter down to 0.001um equivalent
- Removes > 99.9% of viruses, bacteria, and cysts
- Removes > 98% of lead along with other harmful metals
- Removes > 99.9% of cellular debris that causes biofilms
- Bottled-water-quality taste, odor, and levels from every tap
- Requires no chemicals
- Uses almost no electricity
- Low maintenance
- Pressure drop as low as 2 psid (15 psid max recommended)

POE System 400 gpm, 3-Stage



Horizontal Skid Mounted

- **Stage 1: Removes harmful grit and particulate**
- **Stage 2: Customizable to remove specific contributing factors**
- **Stage 3: Final stage Force Field Filter protection**

Protect Your Building.

Protect Your Tenants.

Protect Your Profits.