

PROJECT:	Hydro MPC-CME Booster	UNIT TAG:	_____	QUANTITY:	1
REPRESENTATIVE:	Hurley engineering	TYPE OF SERVICE:	Domestic Water Booster	DATE:	2/10/20
ENGINEER:	TBD	SUBMITTED BY:	Devin Carle	DATE:	_____
CONTRACTOR:	TBD	APPROVED BY:	_____	DATE:	_____
		ORDER NO.:	_____	DATE:	_____

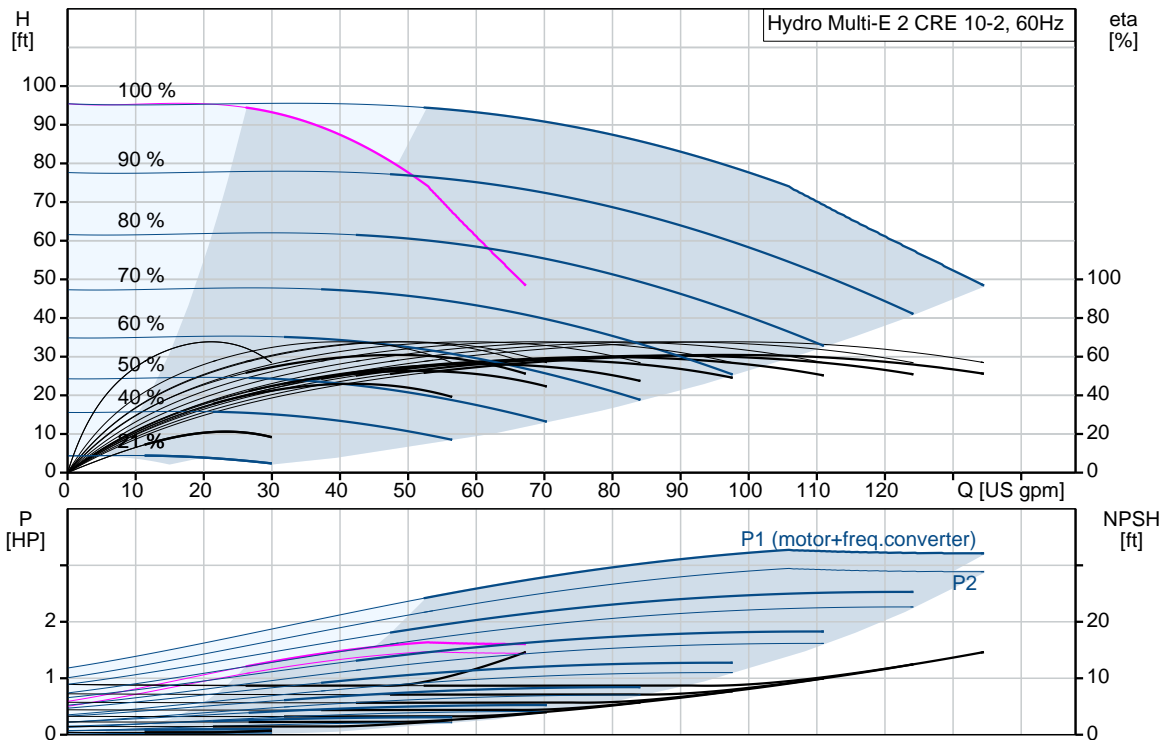


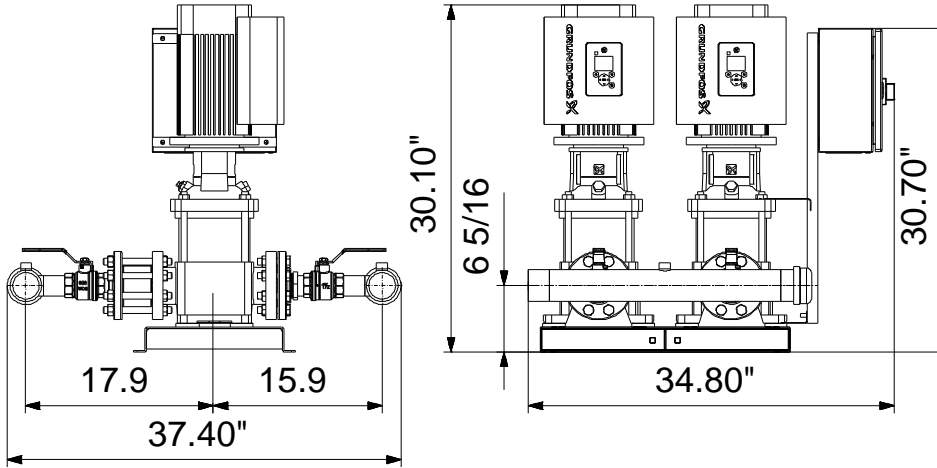
Product photo could vary from the actual product

## Hydro Multi-E 2 CRE 10-2

Energy efficient pressure boosting system for boosting of clean water. Available with 2-4 parallel connected frequency controlled pumps, integrated advanced controller and all necessary fittings.

Conditions of Service	Pump Data	Motor Data
Flow: _____	Maximum operating pressure: 232.06 psi	Rated voltage: 460 V
Head: _____	Liquid temperature range: 32 .. 176 °F	Main frequency: 60 Hz
Efficiency: _____	Product number: On request	
Liquid: Water		
Temperature: 68 °F		
NPSH required: ft		
Viscosity: _____		
Specific Gravity: 1.000		





**Materials:**


Pump housing: Cast iron

Manifolds: Stainless steel



Company name: Hurley Engineering  
Created by:  
Phone:

Date: 3/24/2020

Count	Description
1	<p data-bbox="288 405 606 441"><b>Hydro Multi-E 2 CRE 10-2</b></p>  <p data-bbox="694 795 1149 824">Product photo could vary from the actual product</p> <p data-bbox="288 831 582 860">Product No.: On request</p> <p data-bbox="288 891 1332 981">A GRUNDFOS Hydro Multi-E booster set consists of 2 to 4 speed controlled CR pumps (CRE pumps). Each CRE pump is equipped with an integrated variable frequency drive motor (MLE motor).</p> <ul data-bbox="335 1010 1364 1182" style="list-style-type: none"><li>- Hydro Multi-E maintains constant pressure through continuous adjustment of the speed of the pumps.</li><li>- The system performance is adapted to the demand through cutting in/out the required number of pumps and through parallel control of the pumps in operation.</li><li>- Pump cascade control is based on first on first off to ensure equal pump wear.</li><li>- All pumps in operation will run at equal speed.</li></ul> <p data-bbox="288 1214 1324 1265">GRUNDFOS Hydro Multi-E booster sets are designed for pressure boosting of clean water in residential/commercial building, municipal, industrial, and irrigation applications.</p> <p data-bbox="288 1301 1372 1406">The control of the Hydro Multi-E system is accomplished through Proportional-Integral control via a multi-pump controller card mounted in one of the MLE motors. The Hydro Multi-E system start/stop and set-point adjustment is possible through the use of two push buttons located on the MLE motor or with the R100 remote controller.</p> <p data-bbox="288 1444 694 1473">The system consists of these parts:</p> <ul data-bbox="335 1473 1372 1825" style="list-style-type: none"><li>- Suction manifold and discharge manifold made of 316 stainless steel.</li><li>- Base frame made of 304 stainless steel.</li><li>- One non-return valve (check valve), and two isolating valves for each pump.</li><li>- Adapter with isolating valve for connection diaphragm tank.</li><li>- Pressure gauge on suction and discharge manifolds.</li><li>- Pressure transducer on discharge manifold.</li><li>- Dry-running protection is standard with use of differential pressure switch on suction manifold.</li><li>- A service disconnect switch located in a NEMA 3R enclosure is mounted to each pump for ease of service.</li><li>- Grundfos bus communication with optional gateway connections for LON, Modbus, Profibus, BACnet, GSM</li></ul> <p data-bbox="288 1854 1300 1906">When delivered, the GRUNDFOS Hydro Multi-E booster set is factory tested and ready for operation.</p> <p data-bbox="288 1944 805 1973">Diaphragm tank is available as an accessory.</p> <p data-bbox="288 2004 391 2033"><b>Liquid:</b></p>

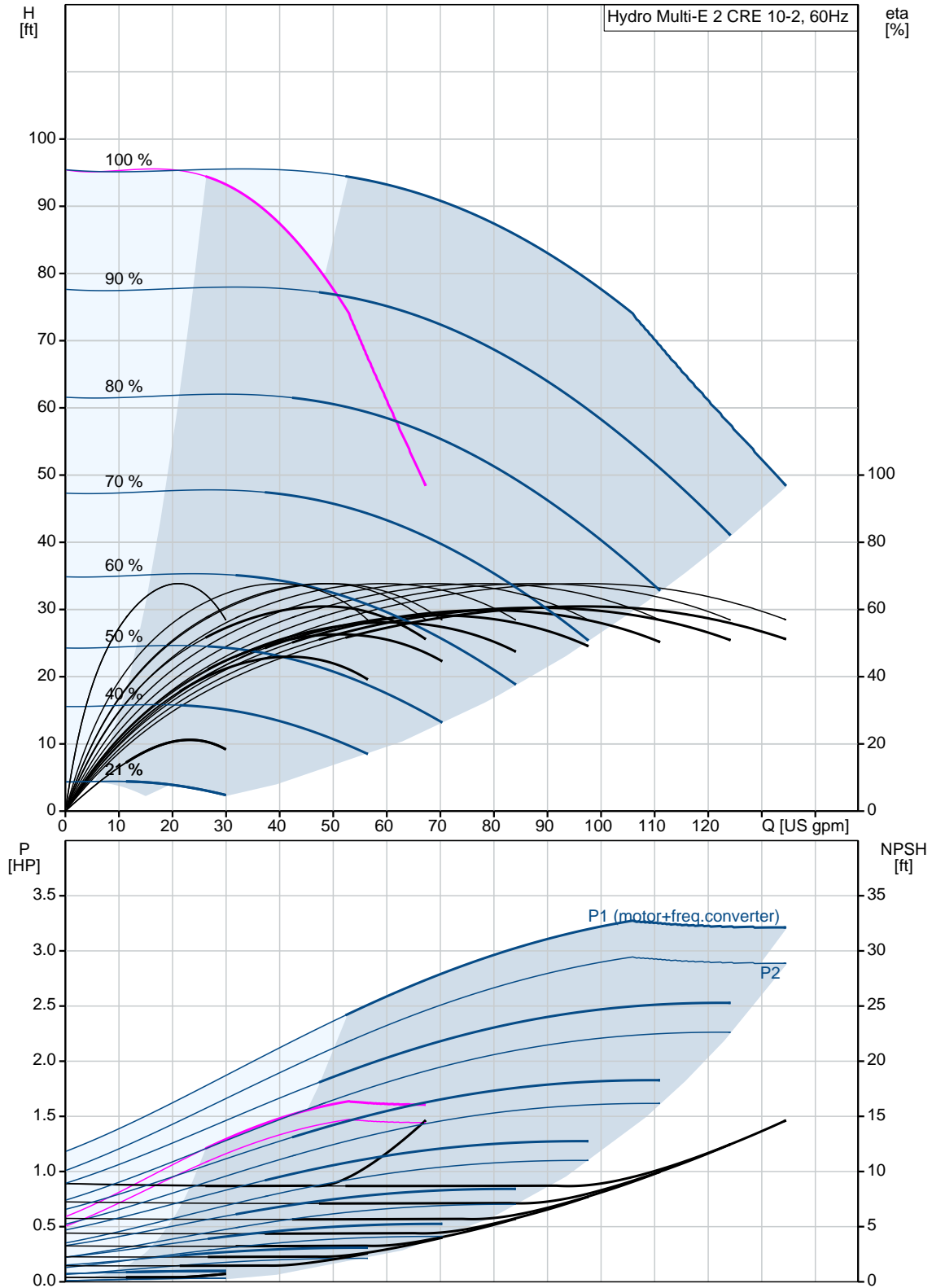


Company name: Hurley Engineering  
Created by:  
Phone:

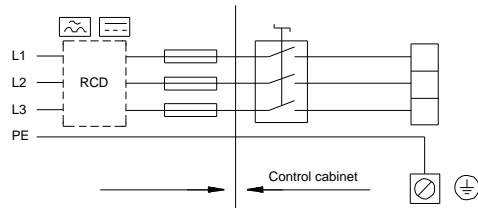
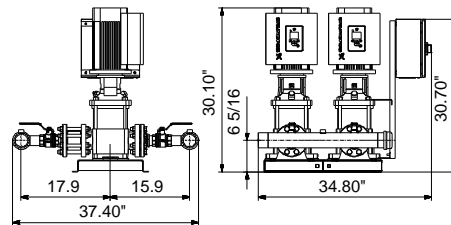
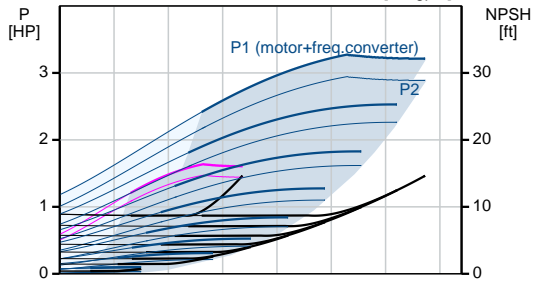
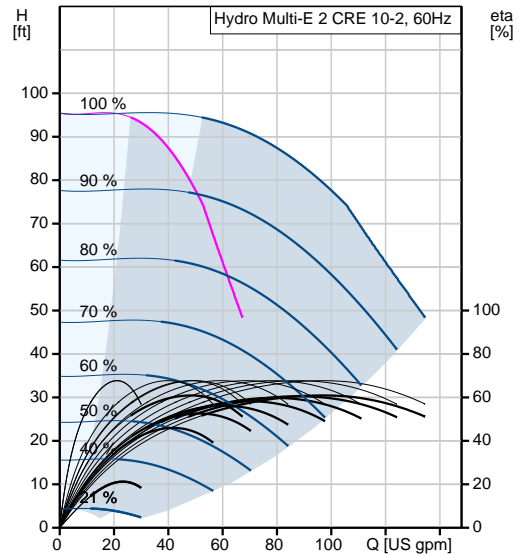
Date: 3/24/2020

Count	Description
	<p>Pumped liquid: Water Liquid temperature range: 32 .. 176 °F Selected liquid temperature: 68 °F Density: 62.29 lb/ft³</p> <p><b>Materials:</b> Pump housing: Cast iron</p> <p><b>Installation:</b> Maximum operating pressure: 232.06 psi Maximum permissible inlet pressure: 116.03 psi Manifold inlet: 2.5" NPT Manifold outlet: 2.5" NPT</p> <p><b>Electrical data:</b> Power (P2) main pump: 1.5 HP Main frequency: 60 Hz Rated voltage: 3 x 460 V Rated voltage main pump: 3 x 460 V Rated current: 4.1 A Start. method: electronically Radio interference supression: IEC/CISPR 11-1B</p> <p><b>Tank:</b> Diaphragm tank: No</p> <p><b>Others:</b> Net weight: 353 lb Gross weight: 576 lb Shipping volume: 89.7 ft³ Custom tariff no.: 8413.70.2040</p>

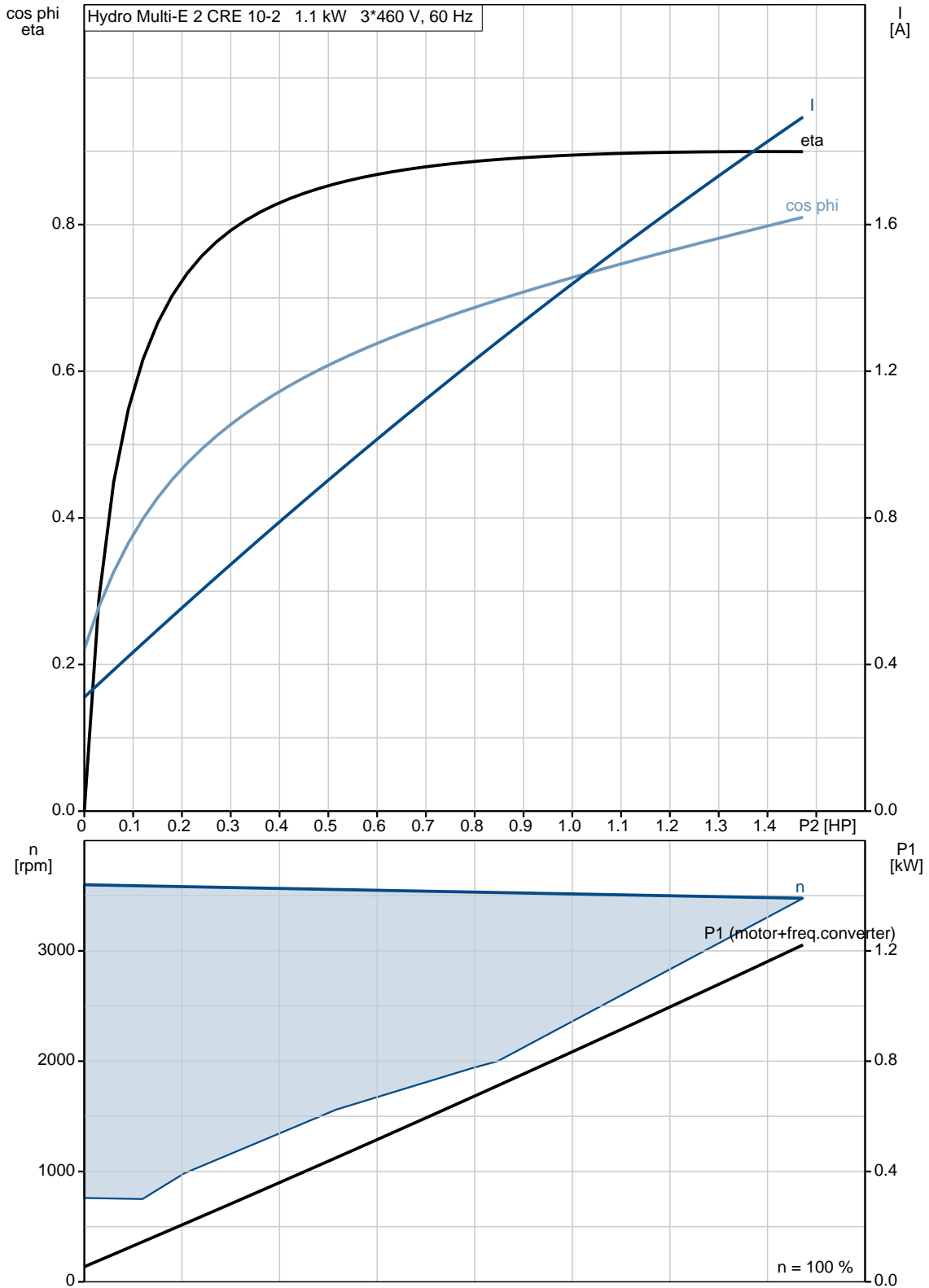
**On request Hydro Multi-E 2 CRE 10-2 60 Hz**



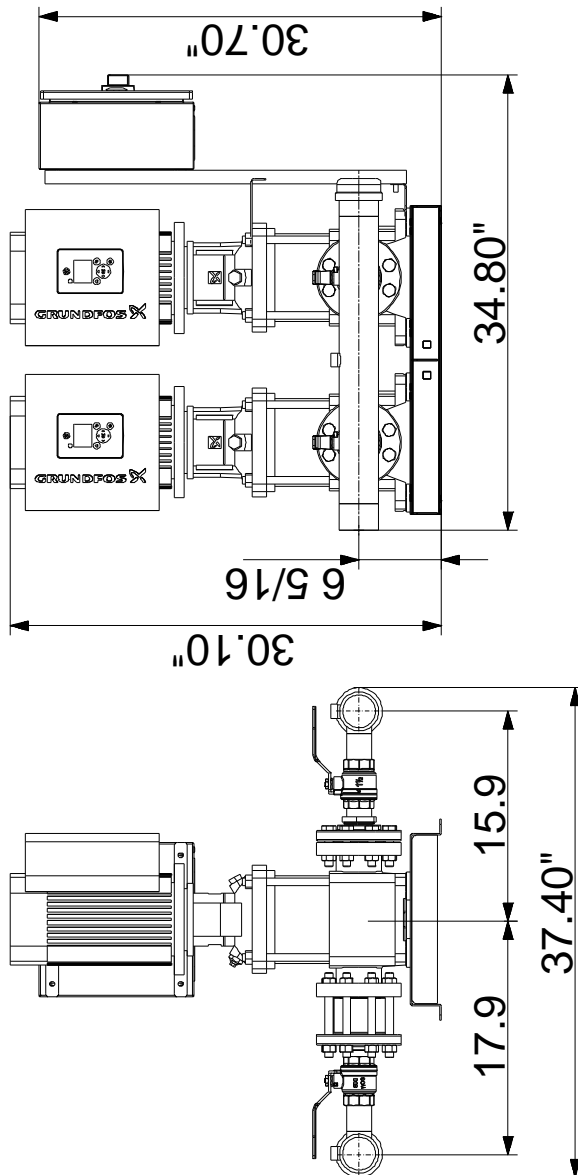
Description	Value
<b>General information:</b>	
Product name:	Hydro Multi-E 2 CRE 10-2
Product No.:	On request
EAN:	On request
<b>Technical:</b>	
Min flow system:	0 US gpm
Max flow system:	141 US gpm
Maximum head:	95.15 ft
Pump name:	CRE10-2
Number of pumps:	2
<b>Materials:</b>	
Pump housing:	Cast iron
Manifolds:	Stainless steel
<b>Installation:</b>	
Maximum operating pressure:	232.06 psi
Maximum permissible inlet pressure:	116.03 psi
Manifold inlet:	2.5" NPT
Manifold outlet:	2.5" NPT
<b>Liquid:</b>	
Pumped liquid:	Water
Liquid temperature range:	32 .. 176 °F
Selected liquid temperature:	68 °F
Density:	62.29 lb/ft³
<b>Electrical data:</b>	
Power (P2) main pump:	1.5 HP
Main frequency:	60 Hz
Rated voltage:	3 x 460 V
Rated voltage main pump:	3 x 460 V
Rated current:	4.1 A
Start. method:	electronically
Radio interference supression:	IEC/CISPR 11-1B
<b>Tank:</b>	
Diaphragm tank:	No
<b>Others:</b>	
Net weight:	353 lb
Gross weight:	576 lb
Shipping volume:	89.7 ft³
Sales region:	Namreg
Product range:	NAMREG
Custom tariff no.:	8413.70.2040



**On request Hydro Multi-E 2 CRE 10-2 60 Hz**



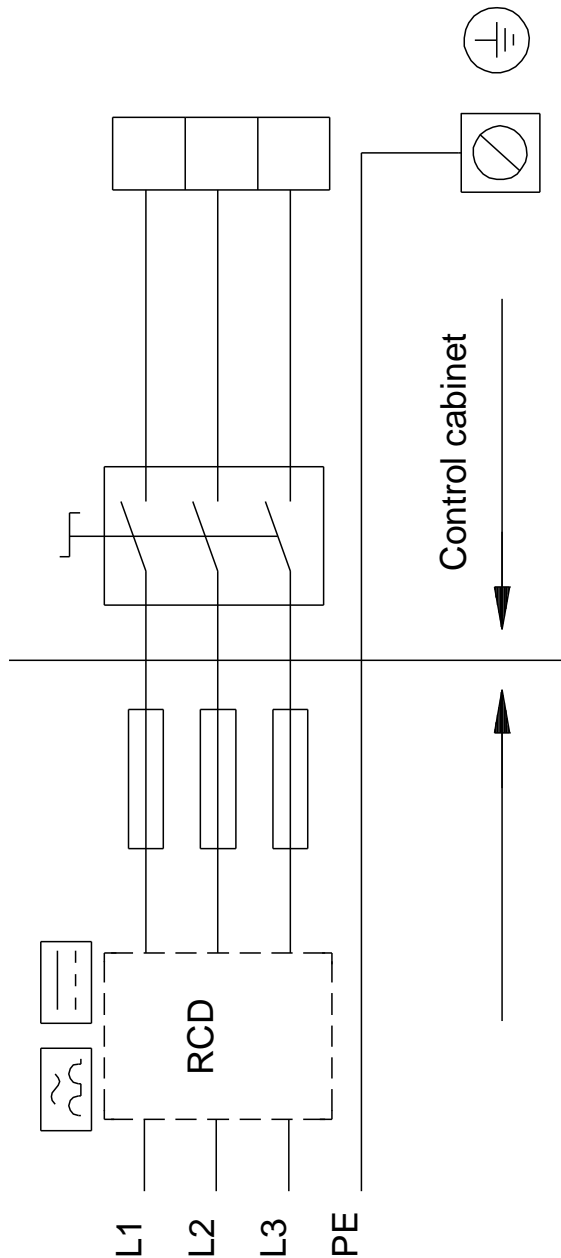
**On request Hydro Multi-E 2 CRE 10-2 60 Hz**



Note! All units are in [in] unless otherwise stated.  
Disclaimer: This simplified dimensional drawing does not show all details.



**On request Hydro Multi-E 2 CRE 10-2 60 Hz**



All units are [in] unless otherwise presented.