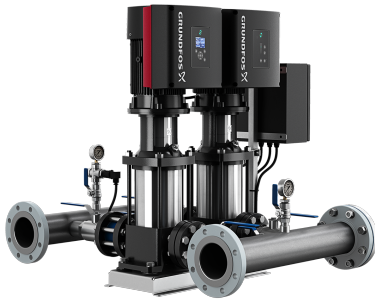


PROJECT:	Hydro MPC-CME Booster	UNIT TAG:	_____	QUANTITY:	1
REPRESENTATIVE:	Hurley Engineering	TYPE OF SERVICE:	Domestic Water Booster	DATE:	2/10/20
ENGINEER:	TBD	SUBMITTED BY:	Devin Carle	DATE:	_____
CONTRACTOR:	TBD	APPROVED BY:	_____	DATE:	_____
		ORDER NO.:	_____	DATE:	_____

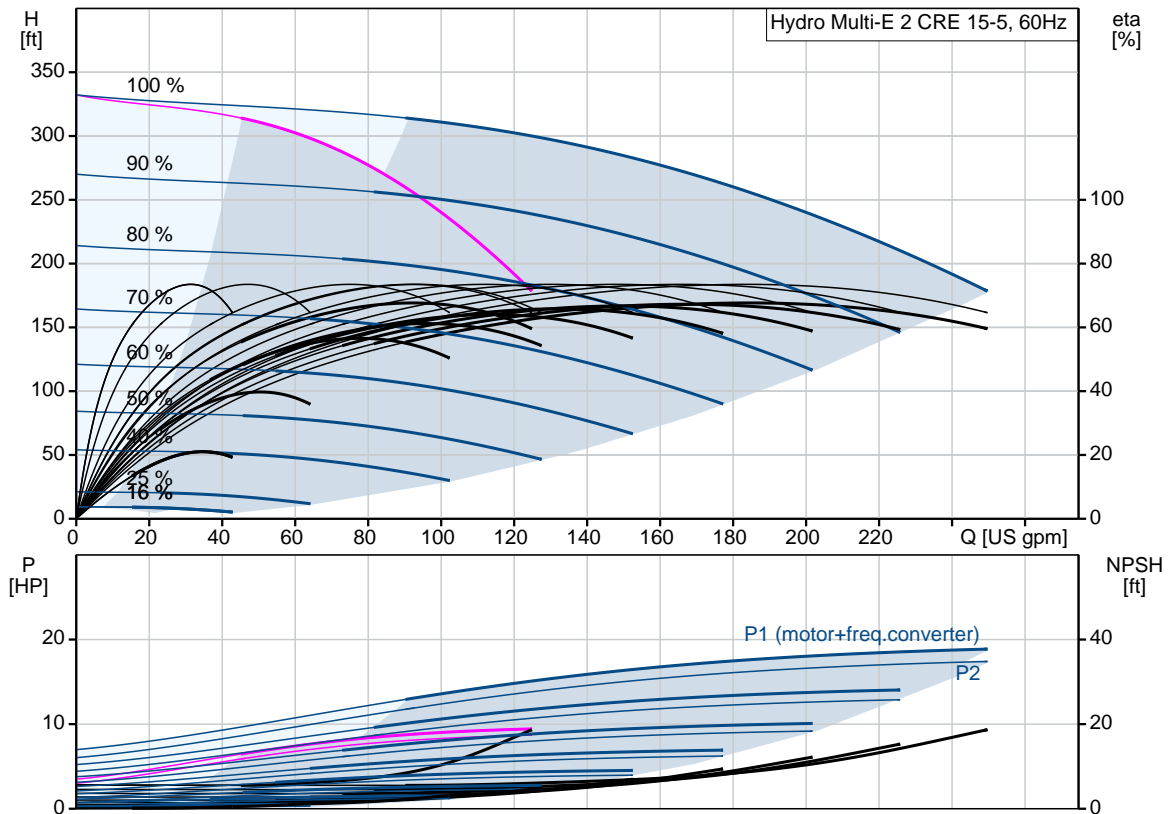


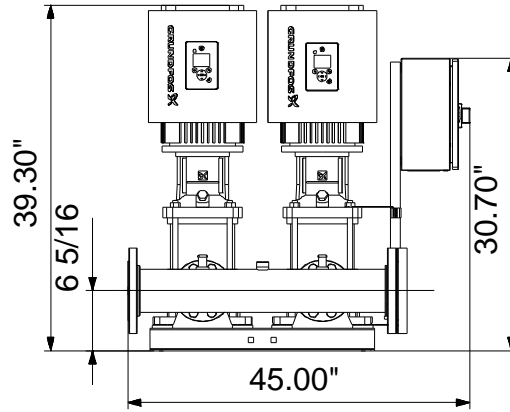
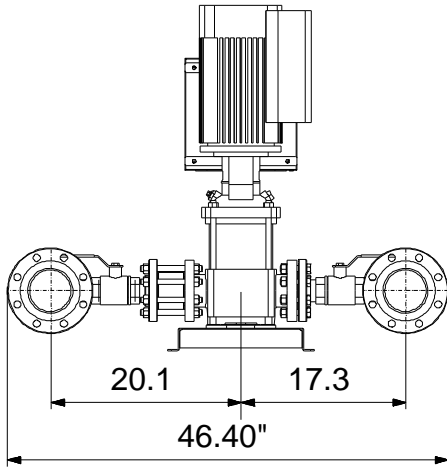
Product photo could vary from the actual product

### Hydro Multi-E 2 CRE 15-5

Energy efficient pressure boosting system for boosting of clean water. Available with 2-4 parallel connected frequency controlled pumps, integrated advanced controller and all necessary fittings.

Conditions of Service	Pump Data	Motor Data
Flow: _____	Maximum operating pressure: 232.06 psi	Rated voltage: 460 V
Head: _____	Liquid temperature range: 32 .. 176 °F	Main frequency: 60 Hz
Efficiency: _____	Product number: 99334030	
Liquid: Water		
Temperature: 68 °F		
NPSH required: _____		
Viscosity: _____		
Specific Gravity: 1.000		






**Materials:**

Pump housing: Cast iron

Manifolds: Stainless steel

Count	Description
1	<p data-bbox="288 405 606 441"><b>Hydro Multi-E 2 CRE 15-5</b></p>  <p data-bbox="694 725 1150 745">Product photo could vary from the actual product</p> <p data-bbox="288 757 568 784">Product No.: <a href="#">99334030</a></p> <p data-bbox="288 815 1329 869">A GRUNDFOS Hydro Multi-E booster set consists of 2 to 4 speed controlled CR pumps (CRE pumps).</p> <p data-bbox="288 875 1315 902">Each CRE pump is equipped with an integrated variable frequency drive motor (MLE motor).</p> <ul data-bbox="339 934 1366 1106" style="list-style-type: none"><li>- Hydro Multi-E maintains constant pressure through continuous adjustment of the speed of the pumps.</li><li>- The system performance is adapted to the demand through cutting in/out the required number of pumps and through parallel control of the pumps in operation.</li><li>- Pump cascade control is based on first on first off to ensure equal pump wear.</li><li>- All pumps in operation will run at equal speed.</li></ul> <p data-bbox="288 1137 1324 1191">GRUNDFOS Hydro Multi-E booster sets are designed for pressure boosting of clean water in residential/commercial building, municipal, industrial, and irrigation applications.</p> <p data-bbox="288 1223 1372 1326">The control of the Hydro Multi-E system is accomplished through Proportional-Integral control via a multi-pump controller card mounted in one of the MLE motors. The Hydro Multi-E system start/stop and set-point adjustment is possible through the use of two push buttons located on the MLE motor or with the R100 remote controller.</p> <p data-bbox="288 1368 692 1395">The system consists of these parts:</p> <ul data-bbox="339 1400 1370 1742" style="list-style-type: none"><li>- Suction manifold and discharge manifold made of 316 stainless steel.</li><li>- Base frame made of 304 stainless steel.</li><li>- One non-return valve (check valve), and two isolating valves for each pump.</li><li>- Adapter with isolating valve for connection diaphragm tank.</li><li>- Pressure gauge on suction and discharge manifolds.</li><li>- Pressure transducer on discharge manifold.</li><li>- Dry-running protection is standard with use of differential pressure switch on suction manifold.</li><li>- A service disconnect switch located in a NEMA 3R enclosure is mounted to each pump for ease of service.</li><li>- Grundfos bus communication with optional gateway connections for LON, Modbus, Profibus, BACnet, GSM</li></ul> <p data-bbox="288 1780 1294 1834">When delivered, the GRUNDFOS Hydro Multi-E booster set is factory tested and ready for operation.</p> <p data-bbox="288 1868 799 1895">Diaphragm tank is available as an accessory.</p> <p data-bbox="288 1928 384 1955"><b>Liquid:</b></p> <p data-bbox="288 1957 735 1984">Pumped liquid: Water</p> <p data-bbox="288 1986 794 2013">Liquid temperature range: 32 .. 176 °F</p>

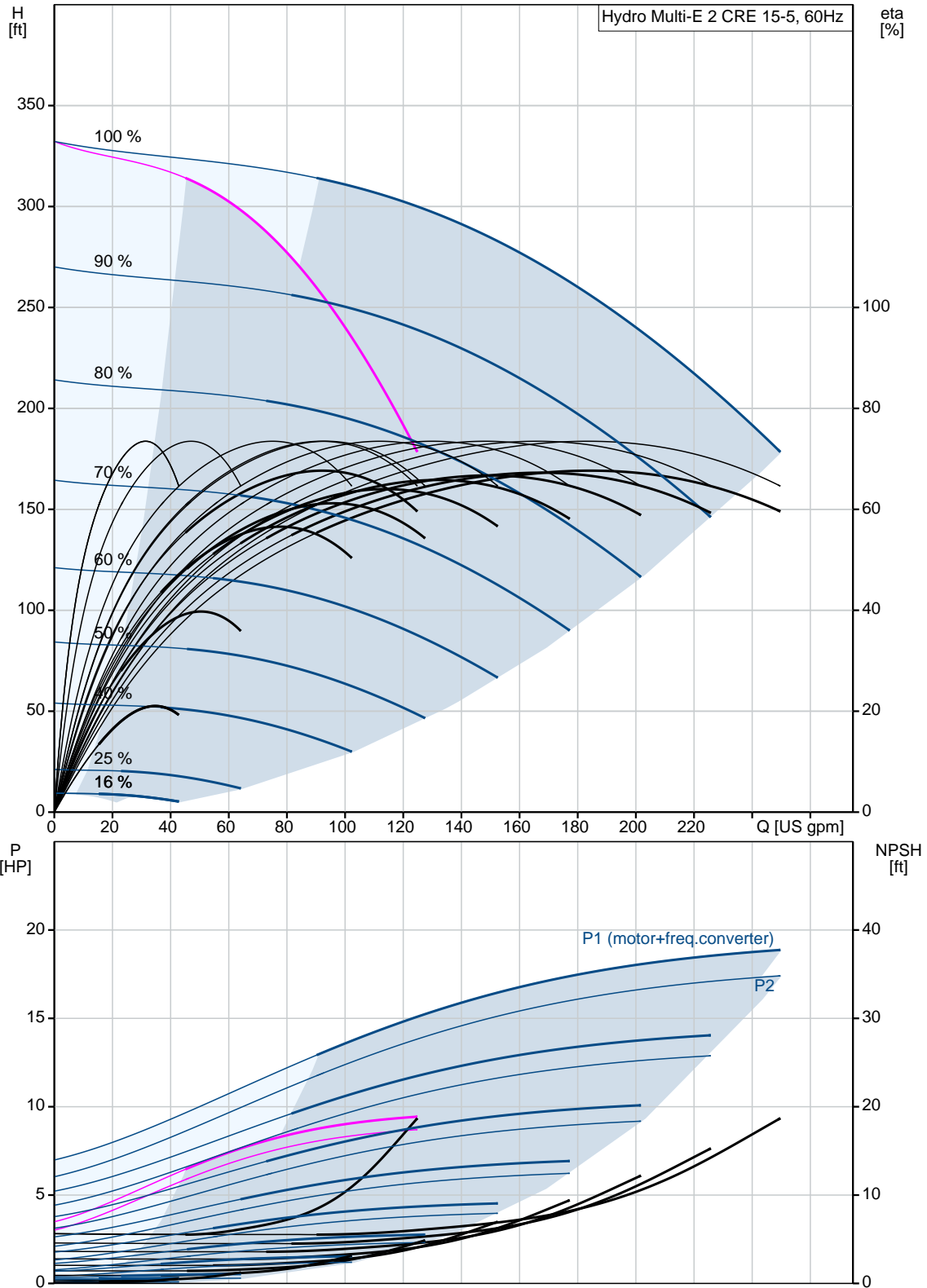


Company name: Hurley Engineering  
Created by:  
Phone:

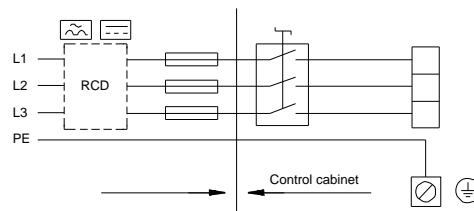
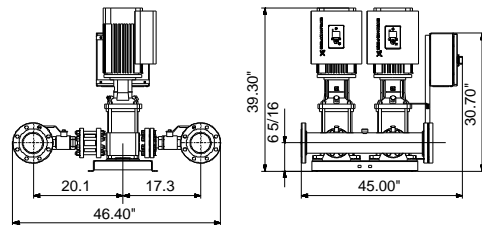
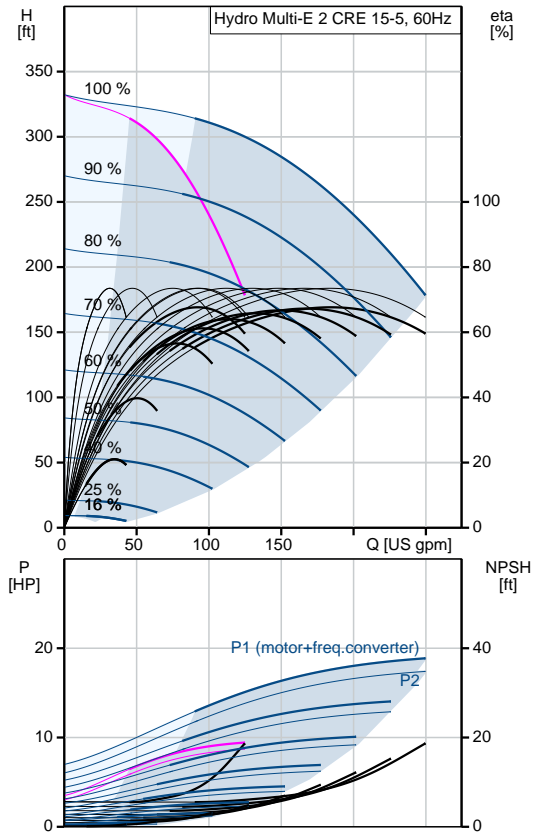
Date: 3/25/2020

Count	Description
	Selected liquid temperature: 68 °F Density: 62.29 lb/ft³
	<b>Materials:</b> Pump housing: Cast iron
	<b>Installation:</b> Maximum operating pressure: 232.06 psi Maximum permissible inlet pressure: 145.04 psi Manifold inlet: 4" ANSI Manifold outlet: 4" ANSI
	<b>Electrical data:</b> Power (P2) main pump: 10 HP Main frequency: 60 Hz Rated voltage: 3 x 460 V Rated voltage main pump: 3 x 460 V Rated current: 23.2 A Start. method: electronically Radio interference supression: IEC/CISPR 11-1B
	<b>Tank:</b> Diaphragm tank: No
	<b>Others:</b> Net weight: 613 lb Gross weight: 897 lb Shipping volume: 158 ft³ Custom tariff no.: 8413.70.2040

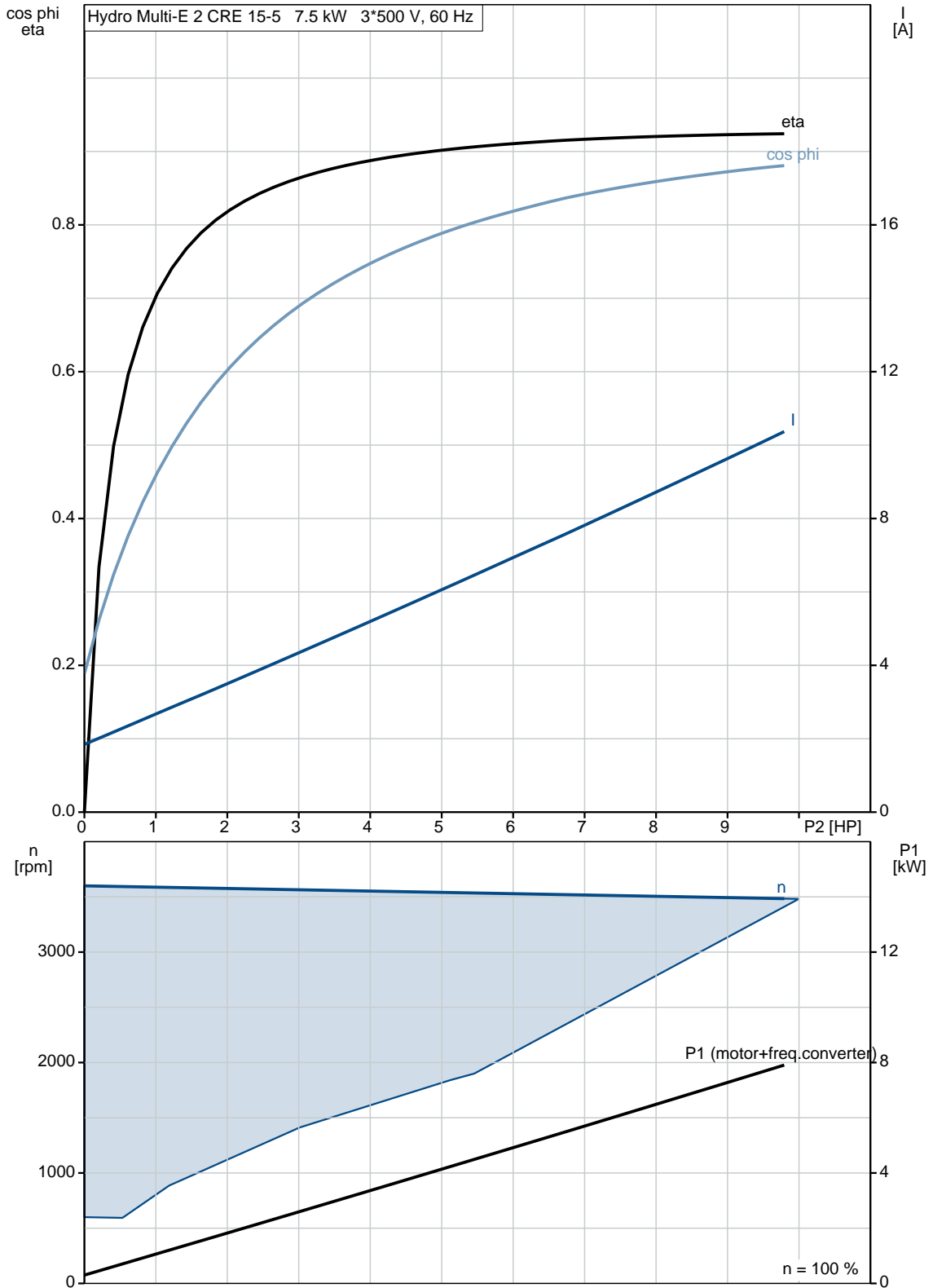
**99334030 Hydro Multi-E 2 CRE 15-5 60 Hz**



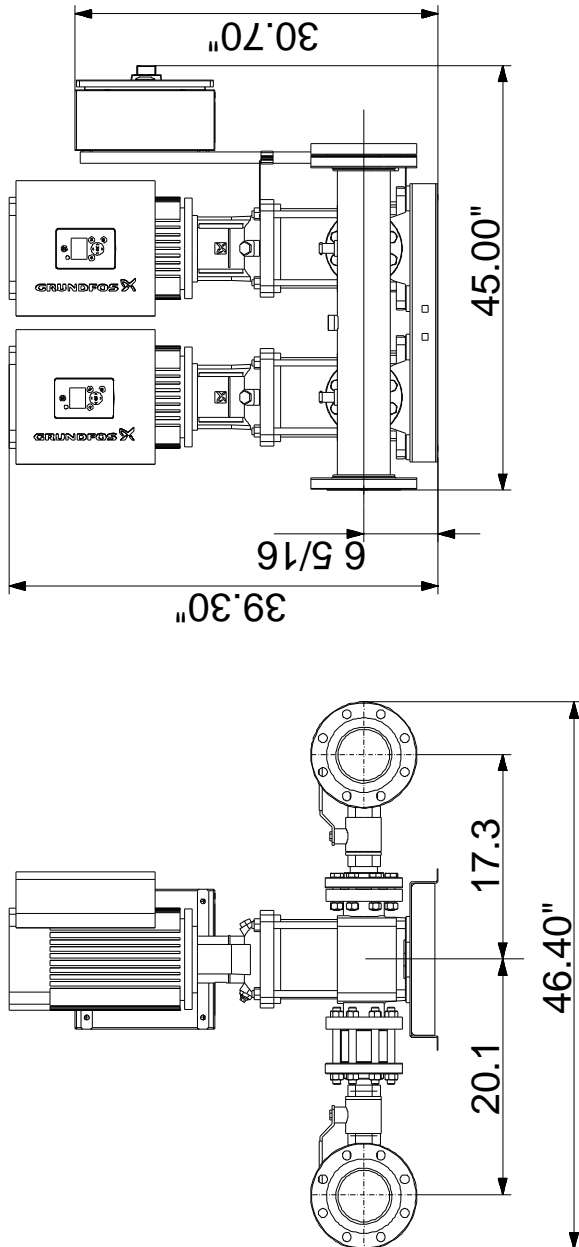
Description	Value
<b>General information:</b>	
Product name:	Hydro Multi-E 2 CRE 15-5
Product No.:	99334030
EAN:	5712609650894
	5712609650894
<b>Technical:</b>	
Min flow system:	0 US gpm
Max flow system:	242 US gpm
Maximum head:	331.1 ft
Pump name:	CRE15-5
Number of pumps:	2
<b>Materials:</b>	
Pump housing:	Cast iron
Manifolds:	Stainless steel
<b>Installation:</b>	
Maximum operating pressure:	232.06 psi
Maximum permissible inlet pressure:	145.04 psi
Manifold inlet:	4" ANSI
Manifold outlet:	4" ANSI
<b>Liquid:</b>	
Pumped liquid:	Water
Liquid temperature range:	32 .. 176 °F
Selected liquid temperature:	68 °F
Density:	62.29 lb/ft <sup>3</sup>
<b>Electrical data:</b>	
Power (P2) main pump:	10 HP
Main frequency:	60 Hz
Rated voltage:	3 x 460 V
Rated voltage main pump:	3 x 460 V
Rated current:	23.2 A
Start. method:	electronically
Radio interference supression:	IEC/CISPR 11-1B
<b>Tank:</b>	
Diaphragm tank:	No
<b>Others:</b>	
Net weight:	613 lb
Gross weight:	897 lb
Shipping volume:	158 ft <sup>3</sup>
Sales region:	Namreg
Product range:	NAMREG
Custom tariff no.:	8413.70.2040



**99334030 Hydro Multi-E 2 CRE 15-5 60 Hz**



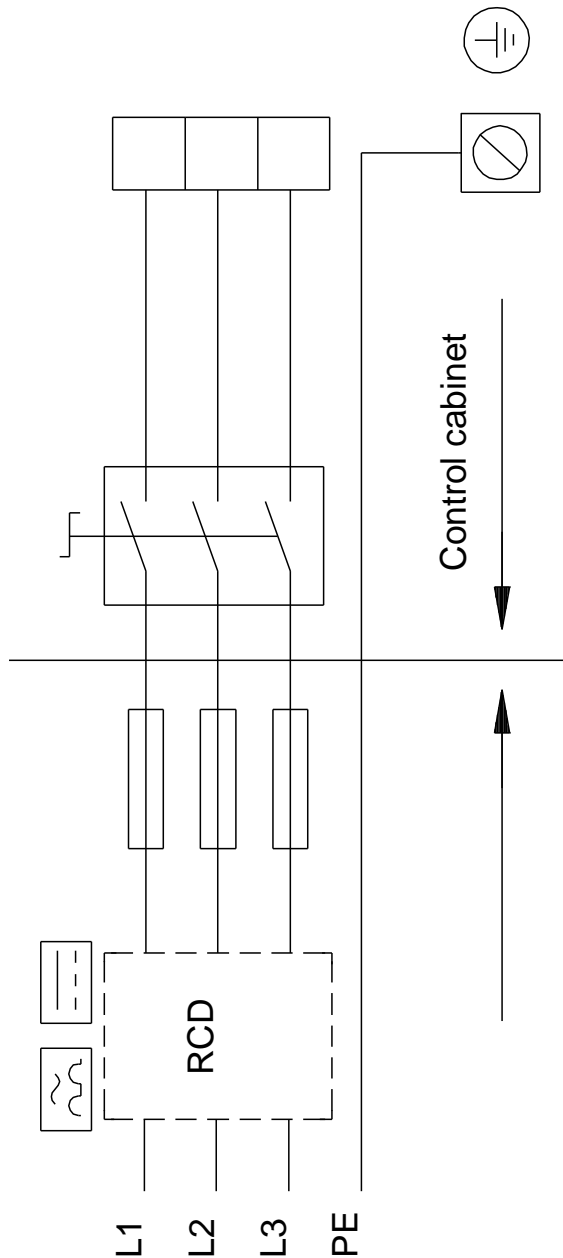
**99334030 Hydro Multi-E 2 CRE 15-5 60 Hz**



Note! All units are in [in] unless otherwise stated.  
Disclaimer: This simplified dimensional drawing does not show all details.



**99334030 Hydro Multi-E 2 CRE 15-5 60 Hz**



All units are [in] unless otherwise presented.