

PROJECT:	Hydro MPC-CME Booster	UNIT TAG:	_____	QUANTITY:	1
REPRESENTATIVE:	Hurley engineering	TYPE OF SERVICE:	Domestic Water Booster	DATE:	2/10/20
ENGINEER:	TBD	SUBMITTED BY:	Devin Carle	DATE:	_____
CONTRACTOR:	TBD	APPROVED BY:	_____	DATE:	_____
		ORDER NO.:	_____	DATE:	_____

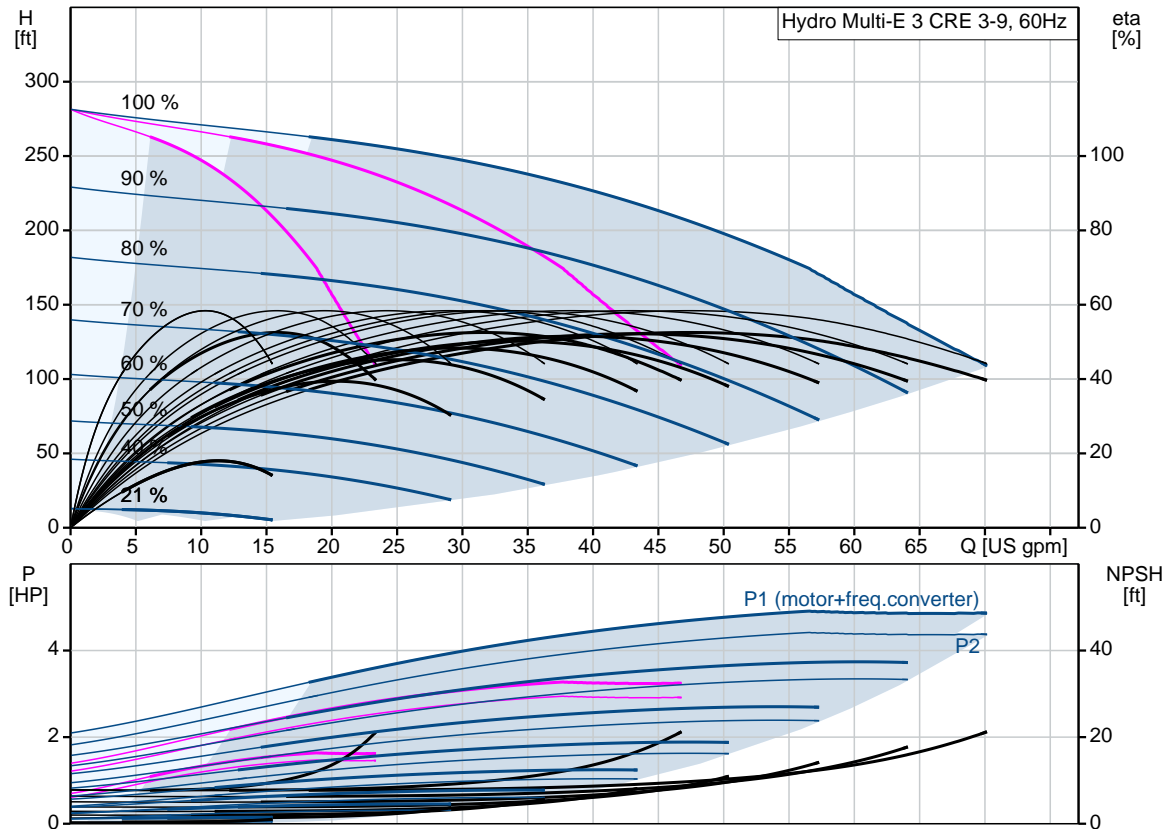


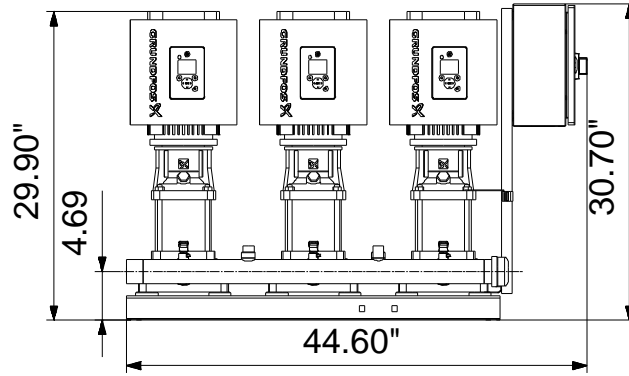
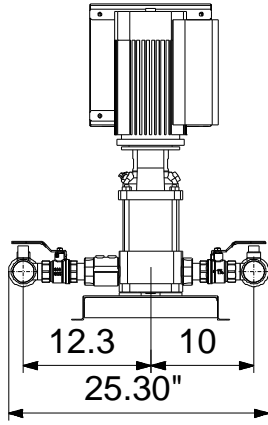
Product photo could vary from the actual product

Hydro Multi-E 3 CRE 3-9

Energy efficient pressure boosting system for boosting of clean water. Available with 2-4 parallel connected frequency controlled pumps, integrated advanced controller and all necessary fittings.

Conditions of Service	Pump Data	Motor Data
Flow: _____	Maximum operating pressure: 232.06 psi	Rated voltage: 460 V
Head: _____	Liquid temperature range: 32 .. 140 °F	Main frequency: 60 Hz
Efficiency: _____	Product number: On request	
Liquid: Water		
Temperature: 68 °F		
NPSH required: ft		
Viscosity: _____		
Specific Gravity: 1.000		





Materials:

Pump housing: Cast iron

Manifolds: Stainless steel

Count	Description
-------	-------------

1 Hydro Multi-E 3 CRE 3-9



Product photo could vary from the actual product

Product No.: On request

A GRUNDFOS Hydro Multi-E booster set consists of 2 to 4 speed controlled CR pumps (CRE pumps).

Each CRE pump is equipped with an integrated variable frequency drive motor (MLE motor).

- Hydro Multi-E maintains constant pressure through continuous adjustment of the speed of the pumps.
- The system performance is adapted to the demand through cutting in/out the required number of pumps and through parallel control of the pumps in operation.
- Pump cascade control is based on first on first off to ensure equal pump wear.
- All pumps in operation will run at equal speed.

GRUNDFOS Hydro Multi-E booster sets are designed for pressure boosting of clean water in residential/commercial building, municipal, industrial, and irrigation applications.

The control of the Hydro Multi-E system is accomplished through Proportional-Integral control via a multi-pump controller card mounted in one of the MLE motors. The Hydro Multi-E system start/stop and set-point adjustment is possible through the use of two push buttons located on the MLE motor or with the R100 remote controller.

The system consists of these parts:

- Suction manifold and discharge manifold made of 316 stainless steel.
- Base frame made of 304 stainless steel.
- One non-return valve (check valve), and two isolating valves for each pump.
- Adapter with isolating valve for connection diaphragm tank.
- Pressure gauge on suction and discharge manifolds.
- Pressure transducer on discharge manifold.
- Dry-running protection is standard with use of differential pressure switch on suction manifold.
- A service disconnect switch located in a NEMA 3R enclosure is mounted to each pump for ease of service.
- Grundfos bus communication with optional gateway connections for LON, Modbus, Profibus, BACnet, GSM

When delivered, the GRUNDFOS Hydro Multi-E booster set is factory tested and ready for operation.

Diaphragm tank is available as an accessory.

Liquid:

Pumped liquid: Water
 Liquid temperature range: 32 .. 140 °F
 Selected liquid temperature: 68 °F

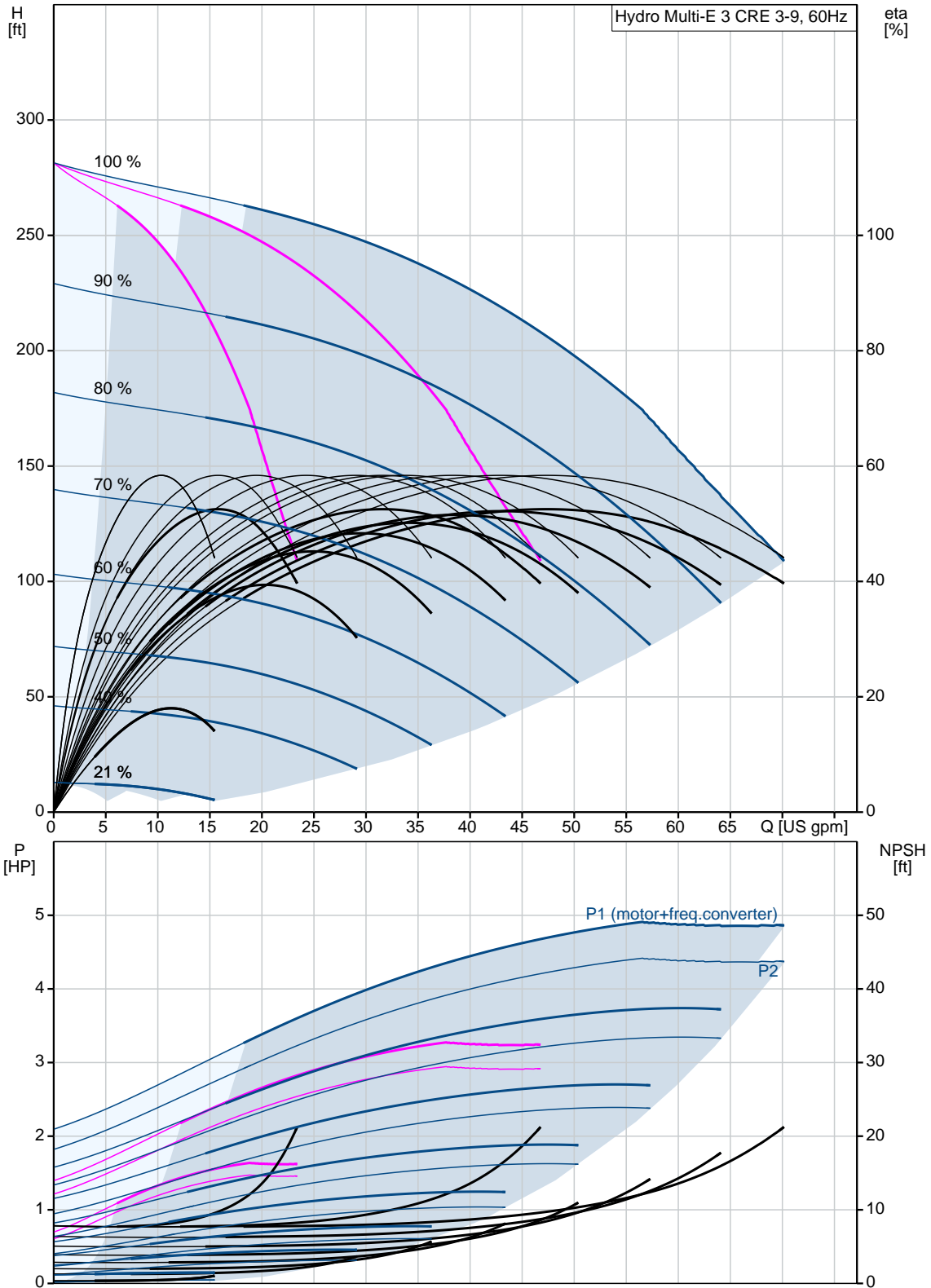


Company name: Hurley Engineering
Created by:
Phone:

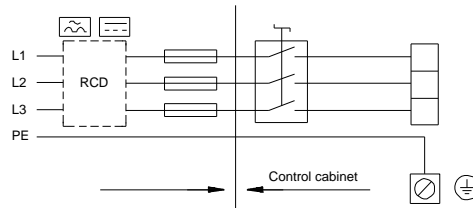
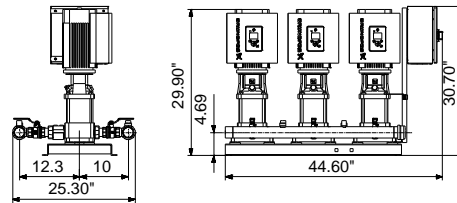
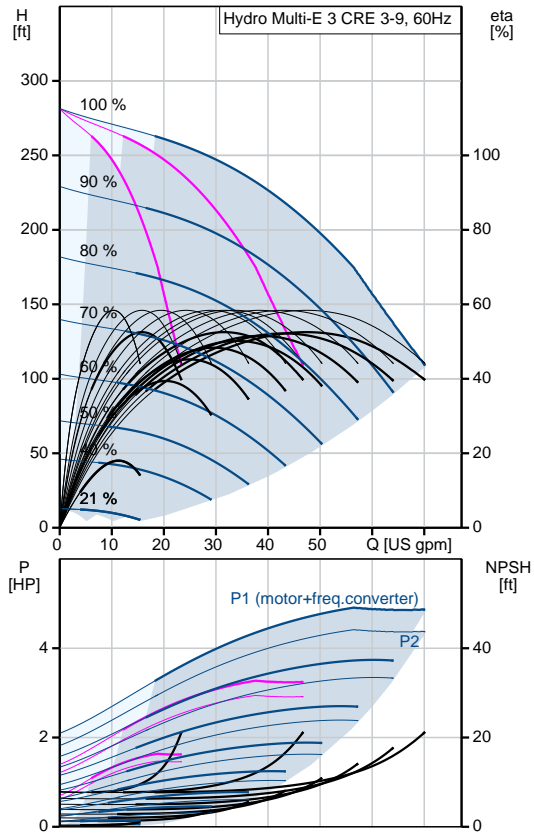
Date: 3/24/2020

Count	Description
	Density: 62.29 lb/ft ³
	Materials:
	Pump housing: Cast iron
	Installation:
	Maximum operating pressure: 232.06 psi
	Maximum permissible inlet pressure: 145.04 psi
	Manifold inlet: 2" NPT
	Manifold outlet: 2" NPT
	Electrical data:
	Power (P2) main pump: 1.5 HP
	Main frequency: 60 Hz
	Rated voltage: 3 x 460 V
	Rated voltage main pump: 3 x 460 V
	Rated current: 6.15 A
	Start. method: electronically
	Radio interference supression: IEC/CISPR 11-1B
	Tank:
	Diaphragm tank: No
	Others:
	Net weight: 316 lb
	Gross weight: 539 lb
	Shipping volume: 89.7 ft ³
	Custom tariff no.: 8413.70.2040

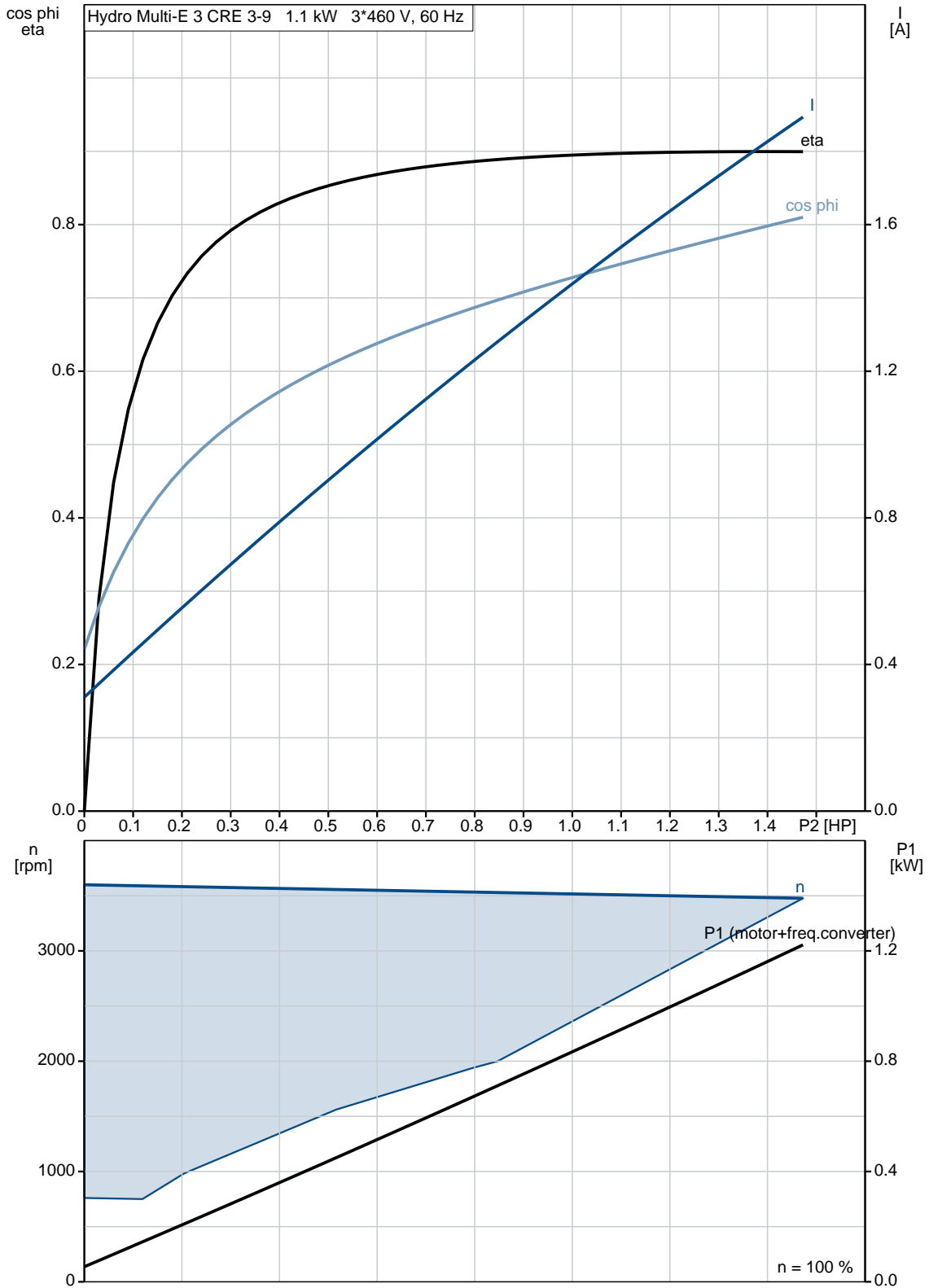
On request Hydro Multi-E 3 CRE 3-9 60 Hz



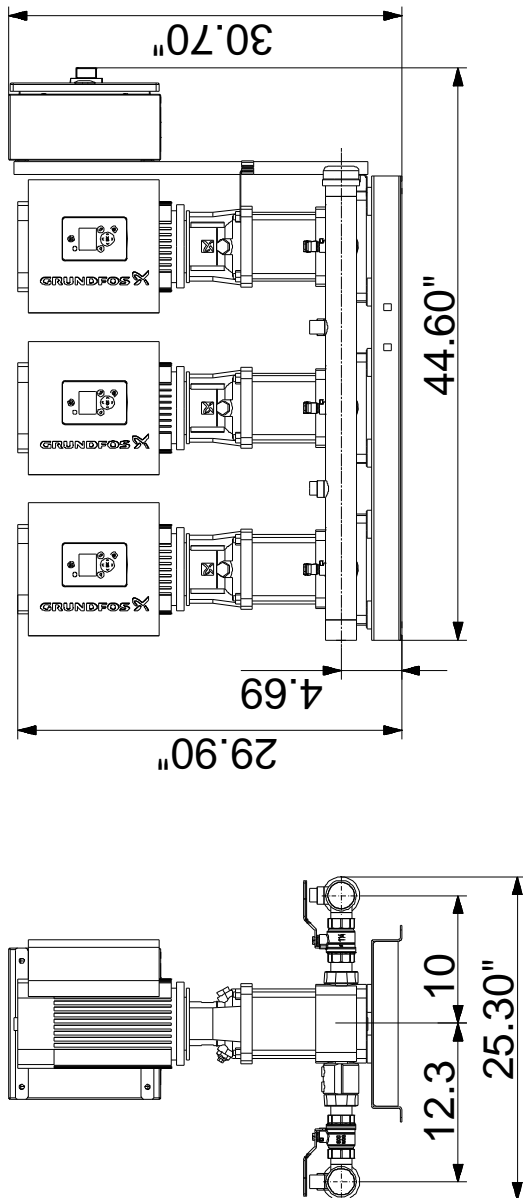
Description	Value
General information:	
Product name:	Hydro Multi-E 3 CRE 3-9
Product No.:	On request
EAN:	On request
Technical:	
Min flow system:	0 US gpm
Max flow system:	70.4 US gpm
Maximum head:	280.9 ft
Pump name:	CRE3-9
Number of pumps:	3
Materials:	
Pump housing:	Cast iron
Manifolds:	Stainless steel
Installation:	
Maximum operating pressure:	232.06 psi
Maximum permissible inlet pressure:	145.04 psi
Manifold inlet:	2" NPT
Manifold outlet:	2" NPT
Liquid:	
Pumped liquid:	Water
Liquid temperature range:	32 .. 140 °F
Selected liquid temperature:	68 °F
Density:	62.29 lb/ft³
Electrical data:	
Power (P2) main pump:	1.5 HP
Main frequency:	60 Hz
Rated voltage:	3 x 460 V
Rated voltage main pump:	3 x 460 V
Rated current:	6.15 A
Start. method:	electronically
Radio interference supression:	IEC/CISPR 11-1B
Tank:	
Diaphragm tank:	No
Others:	
Net weight:	316 lb
Gross weight:	539 lb
Shipping volume:	89.7 ft³
Sales region:	Namreg
Product range:	NAMREG
Custom tariff no.:	8413.70.2040



On request Hydro Multi-E 3 CRE 3-9 60 Hz

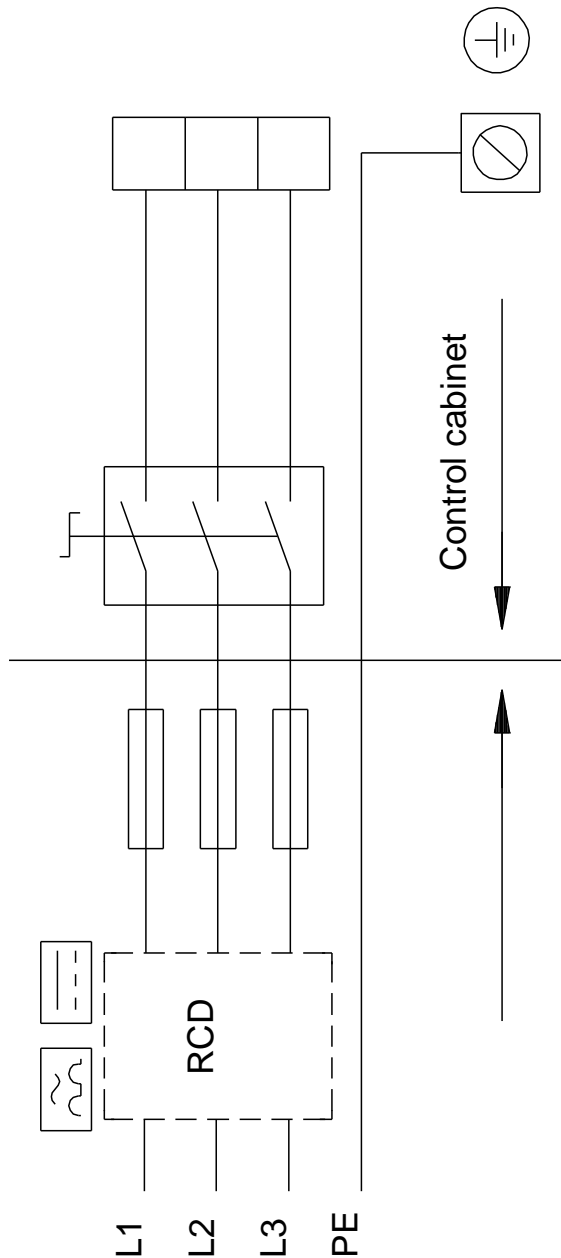


On request Hydro Multi-E 3 CRE 3-9 60 Hz



Note! All units are in [in] unless otherwise stated.
Disclaimer: This simplified dimensional drawing does not show all details.

On request Hydro Multi-E 3 CRE 3-9 60 Hz



All units are [in] unless otherwise presented.