

PROJECT:	Hydro MPC-CME Booster	UNIT TAG:	_____	QUANTITY:	1
REPRESENTATIVE:	Hurley engineering	TYPE OF SERVICE:	Domestic Water Booster	DATE:	2/10/20
ENGINEER:	TBD	SUBMITTED BY:	Devin Carle	DATE:	_____
CONTRACTOR:	TBD	APPROVED BY:	_____	DATE:	_____
		ORDER NO.:	_____	DATE:	_____

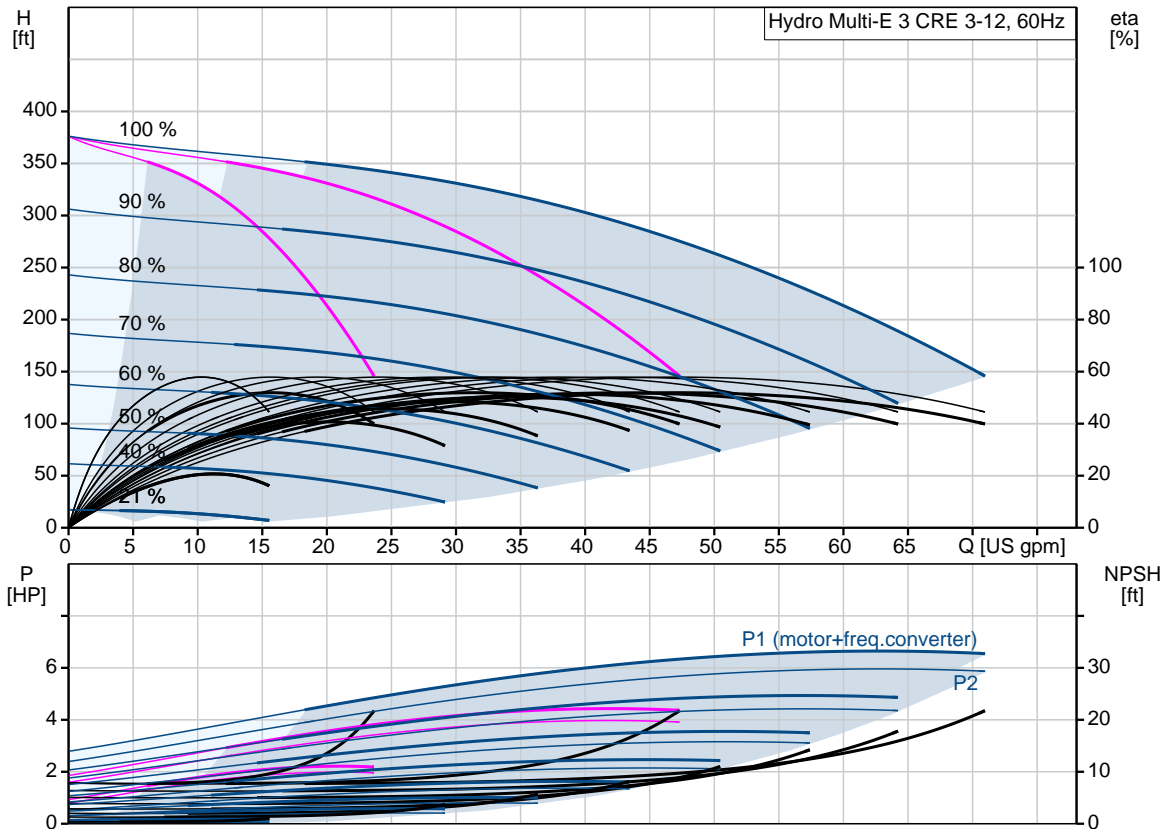


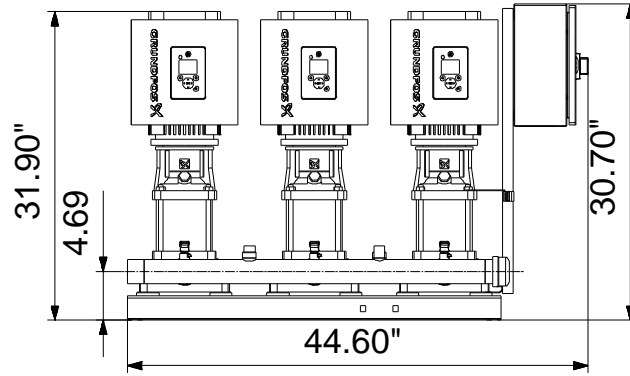
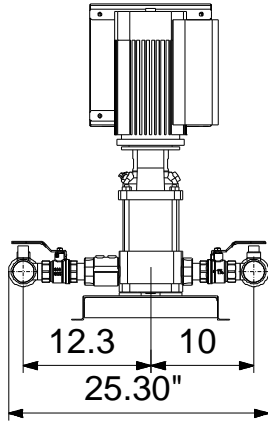
Product photo could vary from the actual product

### Hydro Multi-E 3 CRE 3-12

Energy efficient pressure boosting system for boosting of clean water. Available with 2-4 parallel connected frequency controlled pumps, integrated advanced controller and all necessary fittings.

Conditions of Service	Pump Data	Motor Data
Flow: _____	Maximum operating pressure: 232.06 psi	Rated voltage: 460 V
Head: _____	Liquid temperature range: 32 .. 140 °F	Main frequency: 60 Hz
Efficiency: _____	Product number: On request	
Liquid: Water		
Temperature: 68 °F		
NPSH required: ft		
Viscosity: _____		
Specific Gravity: 1.000		





**Materials:**

Pump housing: Cast iron

Manifolds: Stainless steel

Count	Description
-------	-------------

1	<p><b>Hydro Multi-E 3 CRE 3-12</b></p>
---	--



Product photo could vary from the actual product

Product No.: On request

A GRUNDFOS Hydro Multi-E booster set consists of 2 to 4 speed controlled CR pumps (CRE pumps).

Each CRE pump is equipped with an integrated variable frequency drive motor (MLE motor).

- Hydro Multi-E maintains constant pressure through continuous adjustment of the speed of the pumps.
- The system performance is adapted to the demand through cutting in/out the required number of pumps and through parallel control of the pumps in operation.
- Pump cascade control is based on first on first off to ensure equal pump wear.
- All pumps in operation will run at equal speed.

GRUNDFOS Hydro Multi-E booster sets are designed for pressure boosting of clean water in residential/commercial building, municipal, industrial, and irrigation applications.

The control of the Hydro Multi-E system is accomplished through Proportional-Integral control via a multi-pump controller card mounted in one of the MLE motors. The Hydro Multi-E system start/stop and set-point adjustment is possible through the use of two push buttons located on the MLE motor or with the R100 remote controller.

The system consists of these parts:

- Suction manifold and discharge manifold made of 316 stainless steel.
- Base frame made of 304 stainless steel.
- One non-return valve (check valve), and two isolating valves for each pump.
- Adapter with isolating valve for connection diaphragm tank.
- Pressure gauge on suction and discharge manifolds.
- Pressure transducer on discharge manifold.
- Dry-running protection is standard with use of differential pressure switch on suction manifold.
- A service disconnect switch located in a NEMA 3R enclosure is mounted to each pump for ease of service.
- Grundfos bus communication with optional gateway connections for LON, Modbus, Profibus, BACnet, GSM

When delivered, the GRUNDFOS Hydro Multi-E booster set is factory tested and ready for operation.

Diaphragm tank is available as an accessory.

**Liquid:**

Pumped liquid:	Water
Liquid temperature range:	32 .. 140 °F
Selected liquid temperature:	68 °F

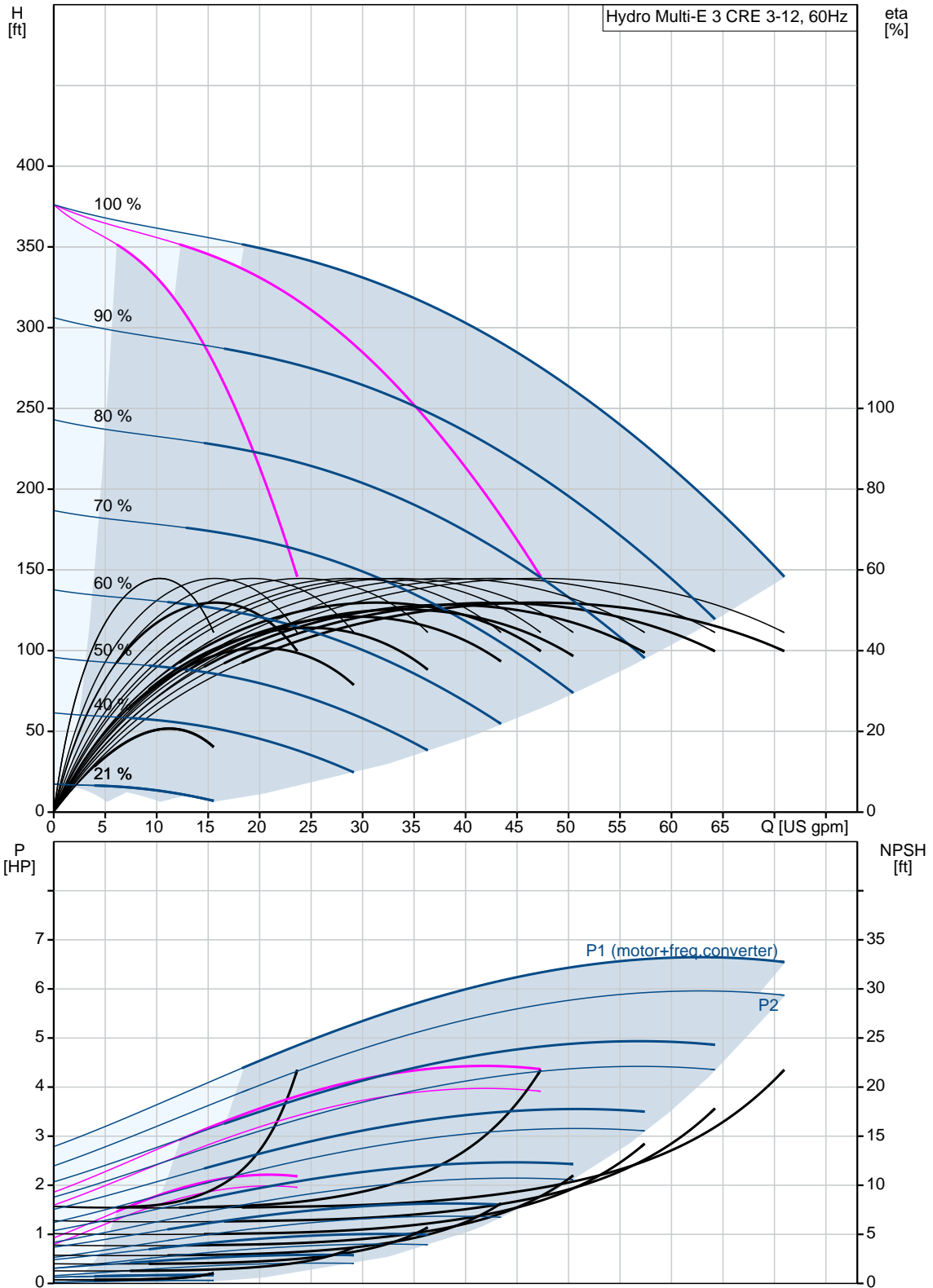


Company name: Hurley Engineering  
Created by:  
Phone:

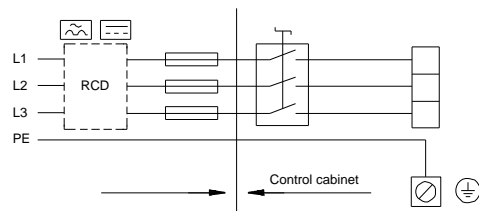
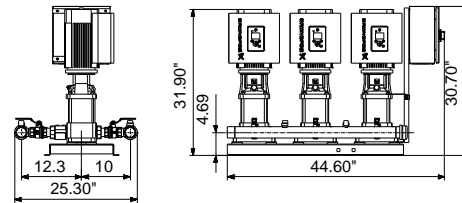
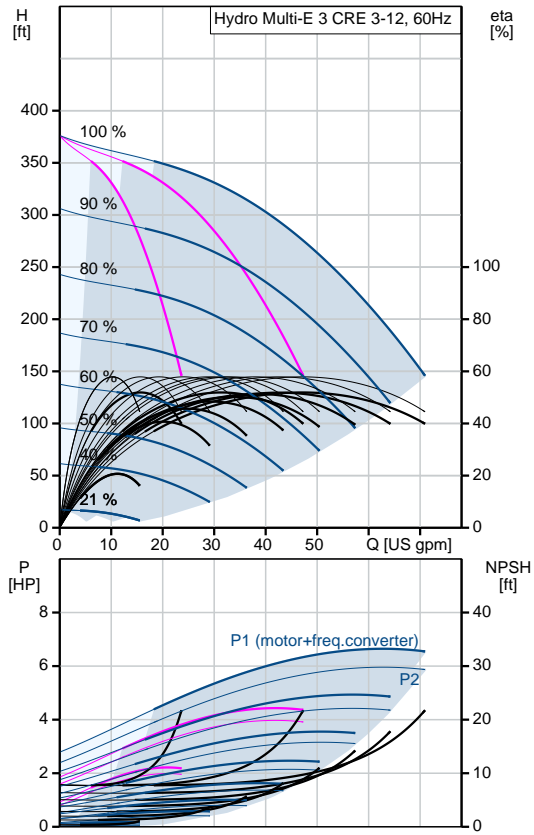
Date: 3/24/2020

Count	Description
	Density: 62.29 lb/ft <sup>3</sup>
	<b>Materials:</b>
	Pump housing: Cast iron
	<b>Installation:</b>
	Maximum operating pressure: 232.06 psi
	Maximum permissible inlet pressure: 145.04 psi
	Manifold inlet: 2" NPT
	Manifold outlet: 2" NPT
	<b>Electrical data:</b>
	Power (P2) main pump: 2 HP
	Main frequency: 60 Hz
	Rated voltage: 3 x 460 V
	Rated voltage main pump: 3 x 460 V
	Rated current: 7.95 A
	Start. method: electronically
	Radio interference supression: IEC/CISPR 11-1B
	<b>Tank:</b>
	Diaphragm tank: No
	<b>Others:</b>
	Net weight: 319 lb
	Gross weight: 542 lb
	Shipping volume: 89.7 ft <sup>3</sup>
	Custom tariff no.: 8413.70.2040

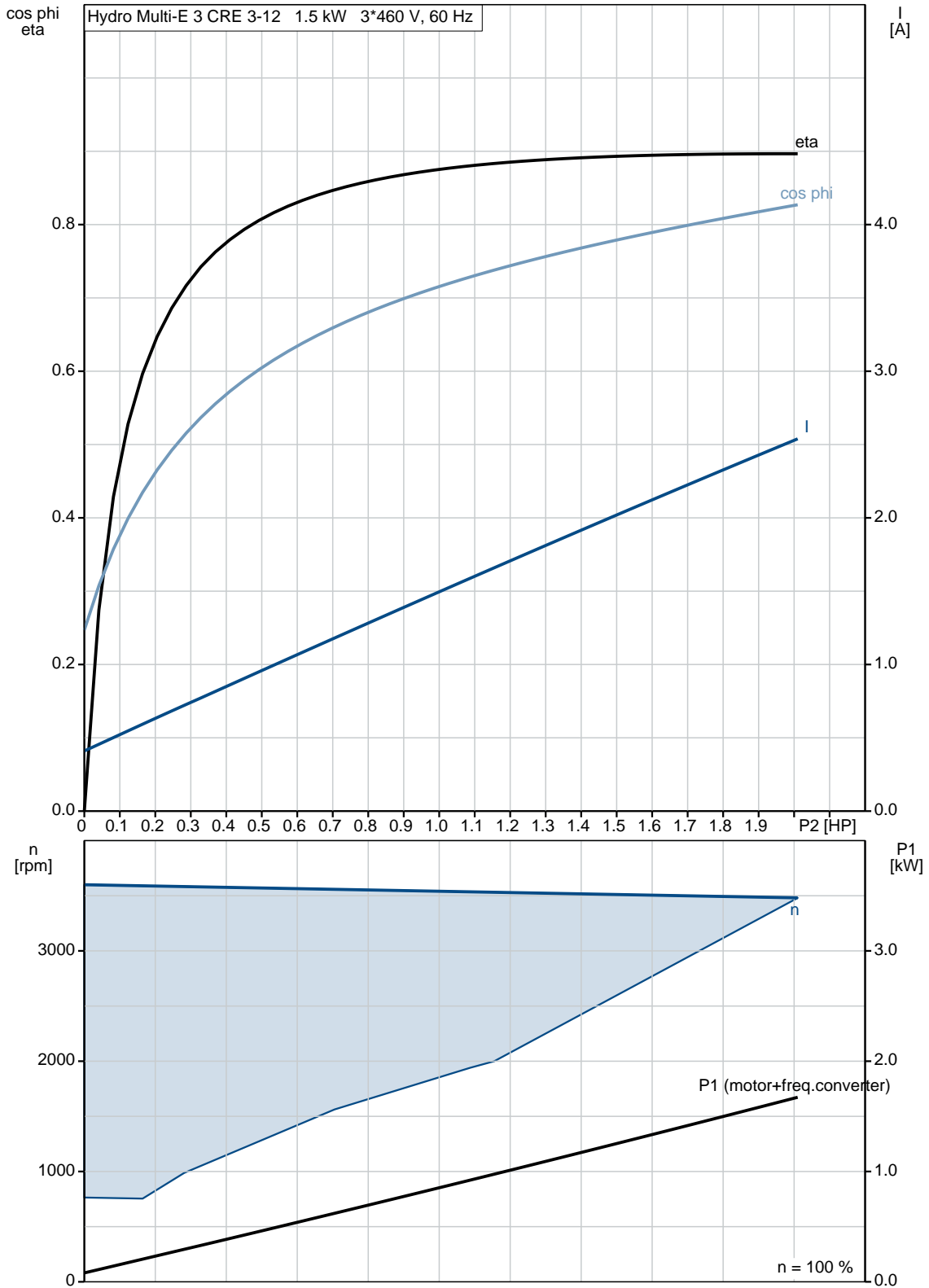
**On request Hydro Multi-E 3 CRE 3-12 60 Hz**



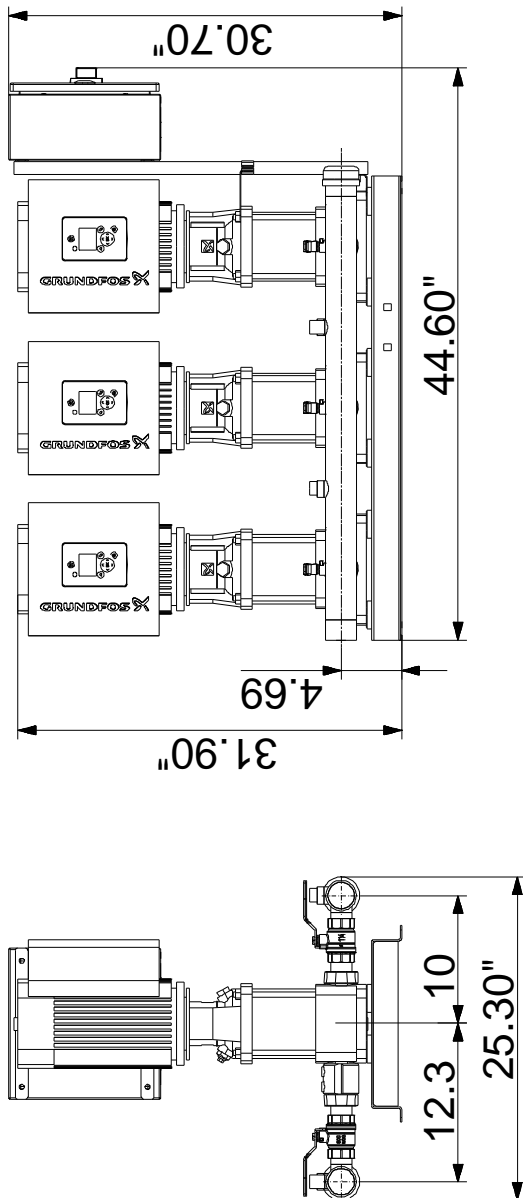
Description	Value
<b>General information:</b>	
Product name:	Hydro Multi-E 3 CRE 3-12
Product No.:	On request
EAN:	On request
	On request
<b>Technical:</b>	
Min flow system:	0 US gpm
Max flow system:	70.4 US gpm
Maximum head:	379 ft
Pump name:	CRE3-12
Number of pumps:	3
<b>Materials:</b>	
Pump housing:	Cast iron
Manifolds:	Stainless steel
<b>Installation:</b>	
Maximum operating pressure:	232.06 psi
Maximum permissible inlet pressure:	145.04 psi
Manifold inlet:	2" NPT
Manifold outlet:	2" NPT
<b>Liquid:</b>	
Pumped liquid:	Water
Liquid temperature range:	32 .. 140 °F
Selected liquid temperature:	68 °F
Density:	62.29 lb/ft <sup>3</sup>
<b>Electrical data:</b>	
Power (P2) main pump:	2 HP
Main frequency:	60 Hz
Rated voltage:	3 x 460 V
Rated voltage main pump:	3 x 460 V
Rated current:	7.95 A
Start. method:	electronically
Radio interference supression:	IEC/CISPR 11-1B
<b>Tank:</b>	
Diaphragm tank:	No
<b>Others:</b>	
Net weight:	319 lb
Gross weight:	542 lb
Shipping volume:	89.7 ft <sup>3</sup>
Sales region:	Namreg
Product range:	NAMREG
Custom tariff no.:	8413.70.2040



**On request Hydro Multi-E 3 CRE 3-12 60 Hz**



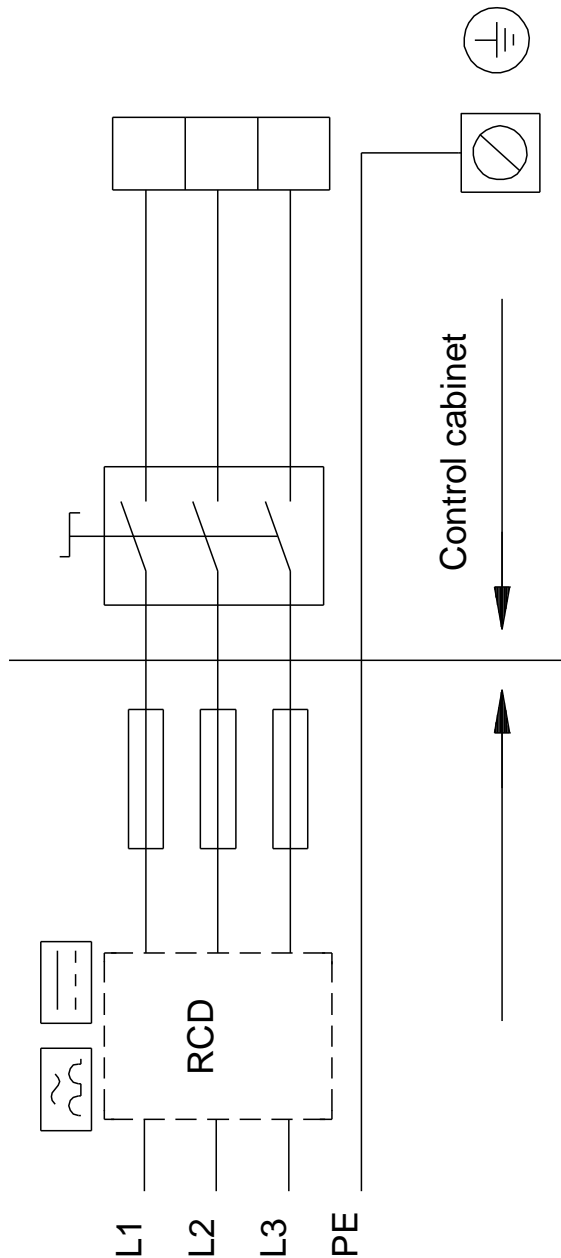
**On request Hydro Multi-E 3 CRE 3-12 60 Hz**



Note! All units are in [in] unless otherwise stated.  
Disclaimer: This simplified dimensional drawing does not show all details.



**On request Hydro Multi-E 3 CRE 3-12 60 Hz**



All units are [in] unless otherwise presented.