

PROJECT:	Hydro MPC-CME Booster	UNIT TAG:	_____	QUANTITY:	1
REPRESENTATIVE:	Hurley engineering	TYPE OF SERVICE:	Domestic Water Booster	DATE:	2/10/20
ENGINEER:	TBD	SUBMITTED BY:	Devin Carle	DATE:	_____
CONTRACTOR:	TBD	APPROVED BY:	_____	DATE:	_____
		ORDER NO.:	_____	DATE:	_____

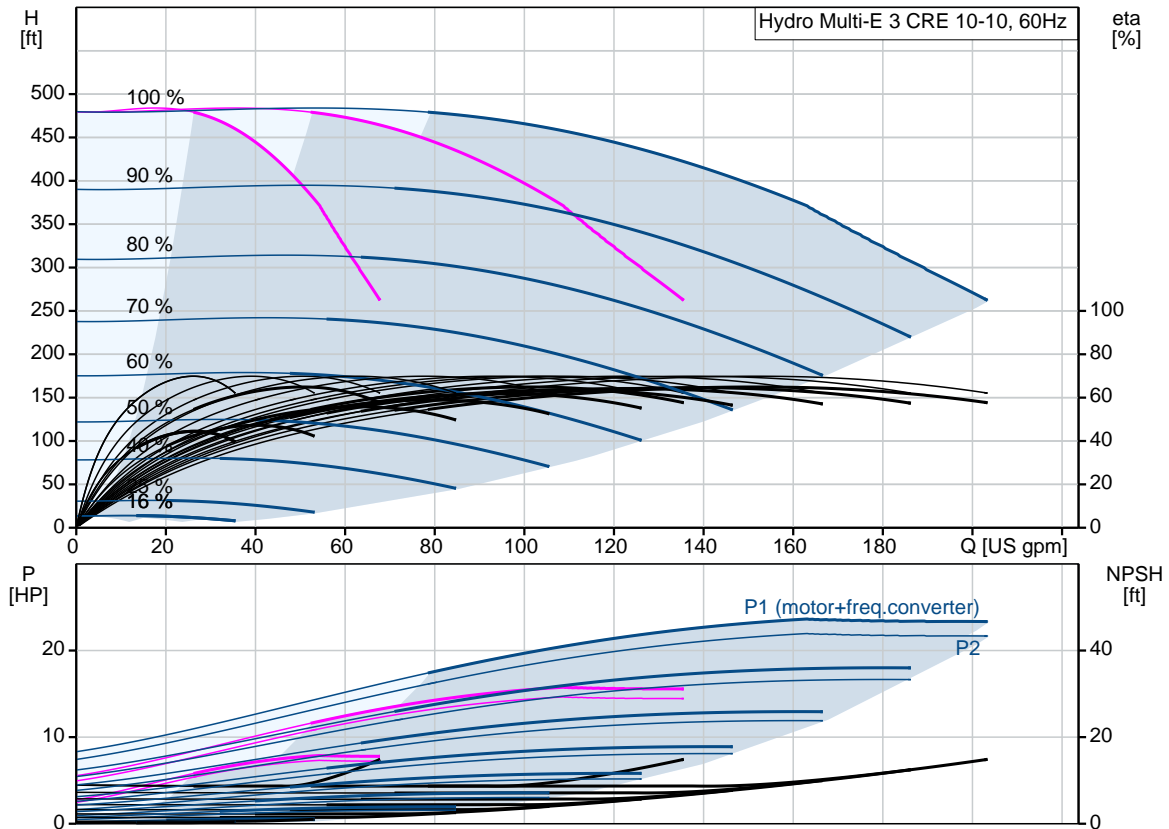


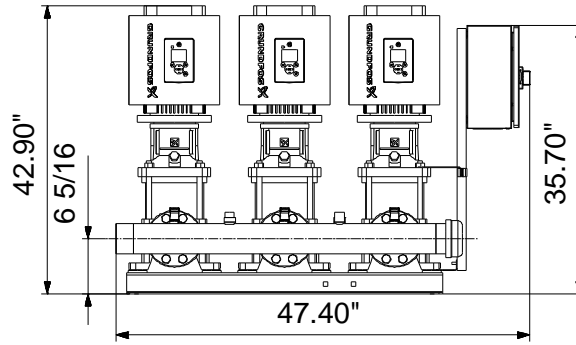
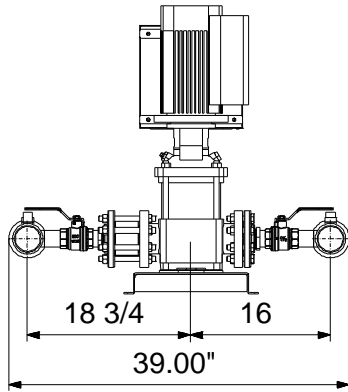
Product photo could vary from the actual product

Hydro Multi-E 3 CRE 10-10

Energy efficient pressure boosting system for boosting of clean water. Available with 2-4 parallel connected frequency controlled pumps, integrated advanced controller and all necessary fittings.

Conditions of Service	Pump Data	Motor Data
Flow: _____	Maximum operating pressure: 232.06 psi	Rated voltage: 460 V
Head: _____	Liquid temperature range: 32 .. 176 °F	Main frequency: 60 Hz
Efficiency: _____	Product number: On request	
Liquid: Water		
Temperature: 68 °F		
NPSH required: _____		
Viscosity: _____		
Specific Gravity: 1.000		






Materials:

Pump housing: Cast iron

Manifolds: Stainless steel

Count	Description
1	<p data-bbox="300 414 614 448">Hydro Multi-E 3 CRE 10-10</p>  <p data-bbox="694 705 1149 739">Product photo could vary from the actual product</p> <p data-bbox="300 739 582 772">Product No.: On request</p> <p data-bbox="300 795 1332 862">A GRUNDFOS Hydro Multi-E booster set consists of 2 to 4 speed controlled CR pumps (CRE pumps).</p> <p data-bbox="300 862 1316 896">Each CRE pump is equipped with an integrated variable frequency drive motor (MLE motor).</p> <ul data-bbox="335 918 1364 1097" style="list-style-type: none"> - Hydro Multi-E maintains constant pressure through continuous adjustment of the speed of the pumps. - The system performance is adapted to the demand through cutting in/out the required number of pumps and through parallel control of the pumps in operation. - Pump cascade control is based on first on first off to ensure equal pump wear. - All pumps in operation will run at equal speed. <p data-bbox="300 1120 1324 1176">GRUNDFOS Hydro Multi-E booster sets are designed for pressure boosting of clean water in residential/commercial building, municipal, industrial, and irrigation applications.</p> <p data-bbox="300 1209 1372 1310">The control of the Hydro Multi-E system is accomplished through Proportional-Integral control via a multi-pump controller card mounted in one of the MLE motors. The Hydro Multi-E system start/stop and set-point adjustment is possible through the use of two push buttons located on the MLE motor or with the R100 remote controller.</p> <p data-bbox="300 1355 694 1388">The system consists of these parts:</p> <ul data-bbox="335 1388 1372 1736" style="list-style-type: none"> - Suction manifold and discharge manifold made of 316 stainless steel. - Base frame made of 304 stainless steel. - One non-return valve (check valve), and two isolating valves for each pump. - Adapter with isolating valve for connection diaphragm tank. - Pressure gauge on suction and discharge manifolds. - Pressure transducer on discharge manifold. - Dry-running protection is standard with use of differential pressure switch on suction manifold. - A service disconnect switch located in a NEMA 3R enclosure is mounted to each pump for ease of service. - Grundfos bus communication with optional gateway connections for LON, Modbus, Profibus, BACnet, GSM <p data-bbox="300 1769 1292 1825">When delivered, the GRUNDFOS Hydro Multi-E booster set is factory tested and ready for operation.</p> <p data-bbox="300 1859 798 1892">Diaphragm tank is available as an accessory.</p> <p data-bbox="300 1915 391 1948">Liquid:</p> <p data-bbox="300 1948 798 2038">Pumped liquid: Water Liquid temperature range: 32 .. 176 °F Selected liquid temperature: 68 °F</p>

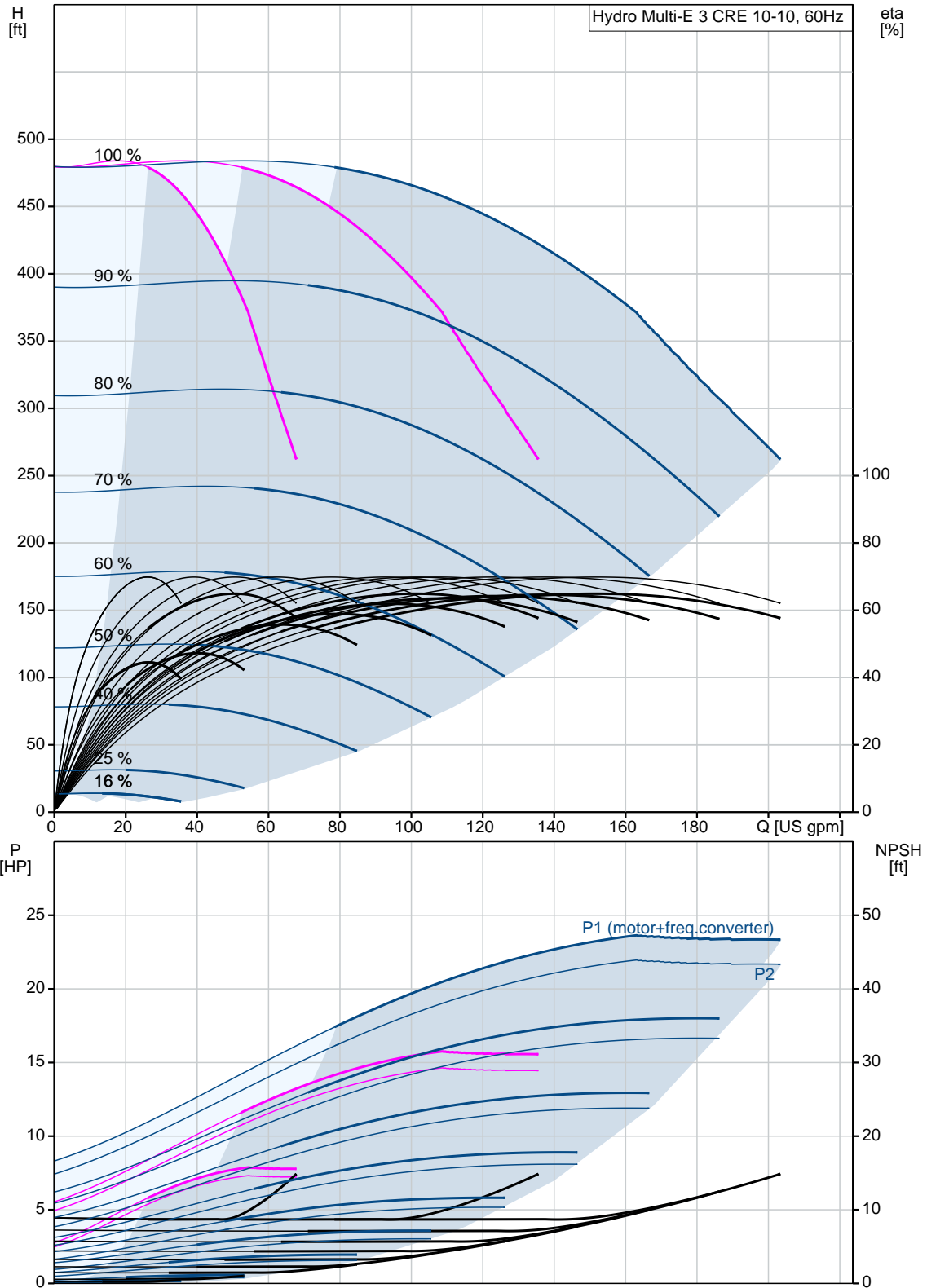


Company name: Hurley Engineering
Created by:
Phone:

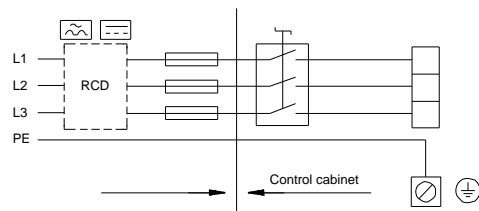
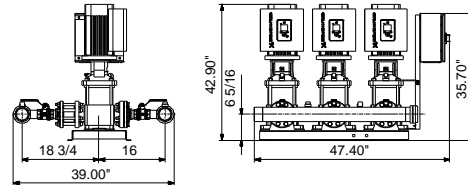
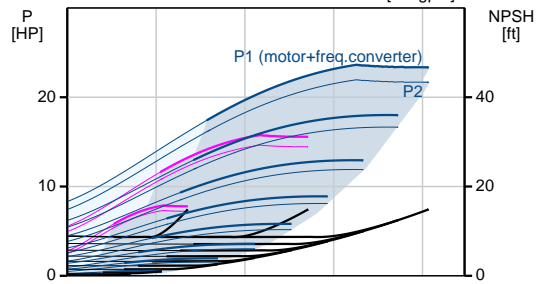
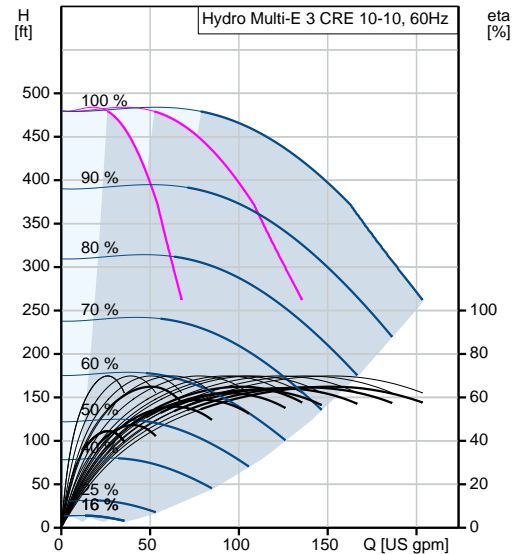
Date: 3/24/2020

Count	Description
	Density: 62.29 lb/ft ³
	Materials: Pump housing: Cast iron
	Installation: Maximum operating pressure: 232.06 psi Maximum permissible inlet pressure: 145.04 psi Manifold inlet: 3" NPT Manifold outlet: 3" NPT
	Electrical data: Power (P2) main pump: 7.5 HP Main frequency: 60 Hz Rated voltage: 3 x 460 V Rated voltage main pump: 3 x 460 V Rated current: 26.7 A Start. method: electronically Radio interference supression: IEC/CISPR 11-1B
	Tank: Diaphragm tank: No
	Others: Net weight: 845 lb Gross weight: 1070 lb Shipping volume: 89.7 ft ³ Custom tariff no.: 8413.70.2040

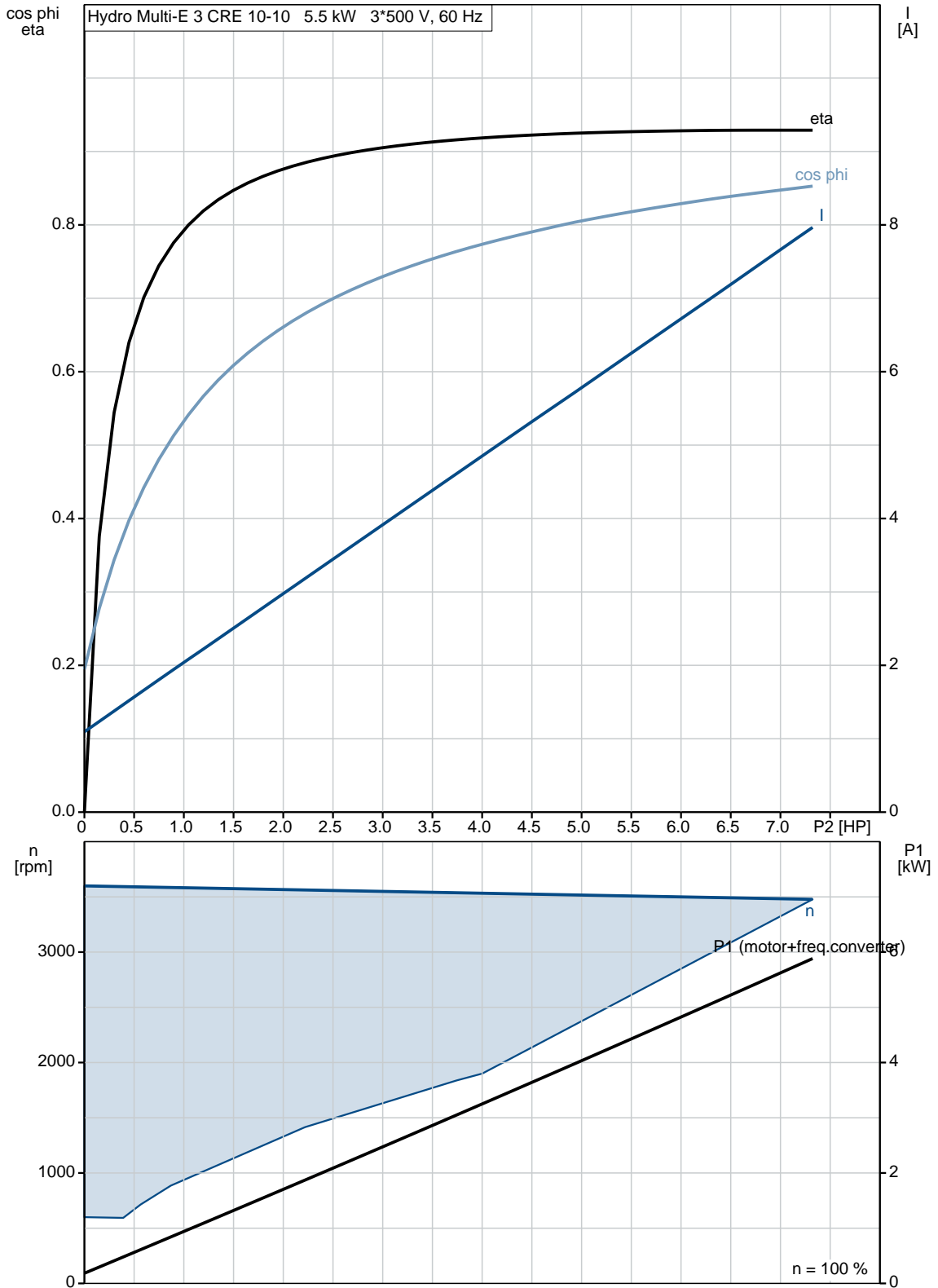
On request Hydro Multi-E 3 CRE 10-10 60 Hz



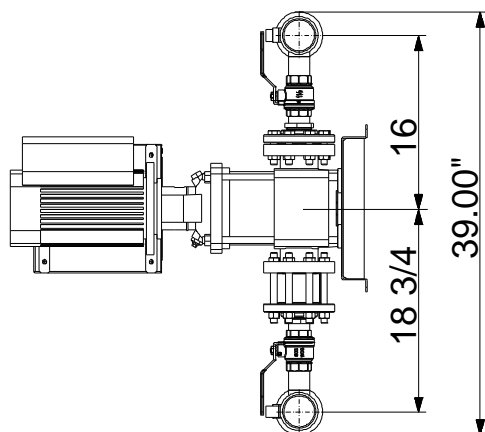
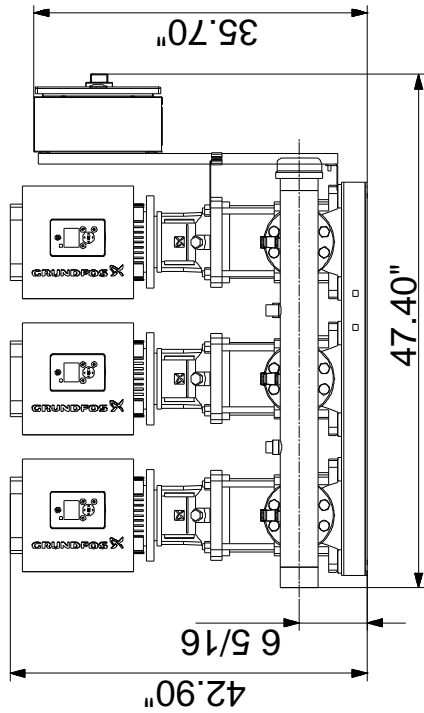
Description	Value
General information:	
Product name:	Hydro Multi-E 3 CRE 10-10
Product No.:	On request
EAN:	On request
Technical:	
Min flow system:	0 US gpm
Max flow system:	211 US gpm
Maximum head:	482 ft
Pump name:	CRE10-10
Number of pumps:	3
Materials:	
Pump housing:	Cast iron
Manifolds:	Stainless steel
Installation:	
Maximum operating pressure:	232.06 psi
Maximum permissible inlet pressure:	145.04 psi
Manifold inlet:	3" NPT
Manifold outlet:	3" NPT
Liquid:	
Pumped liquid:	Water
Liquid temperature range:	32 .. 176 °F
Selected liquid temperature:	68 °F
Density:	62.29 lb/ft ³
Electrical data:	
Power (P2) main pump:	7.5 HP
Main frequency:	60 Hz
Rated voltage:	3 x 460 V
Rated voltage main pump:	3 x 460 V
Rated current:	26.7 A
Start. method:	electronically
Radio interference supression:	IEC/CISPR 11-1B
Tank:	
Diaphragm tank:	No
Others:	
Net weight:	845 lb
Gross weight:	1070 lb
Shipping volume:	89.7 ft ³
Sales region:	Namreg
Product range:	NAMREG
Custom tariff no.:	8413.70.2040



On request Hydro Multi-E 3 CRE 10-10 60 Hz

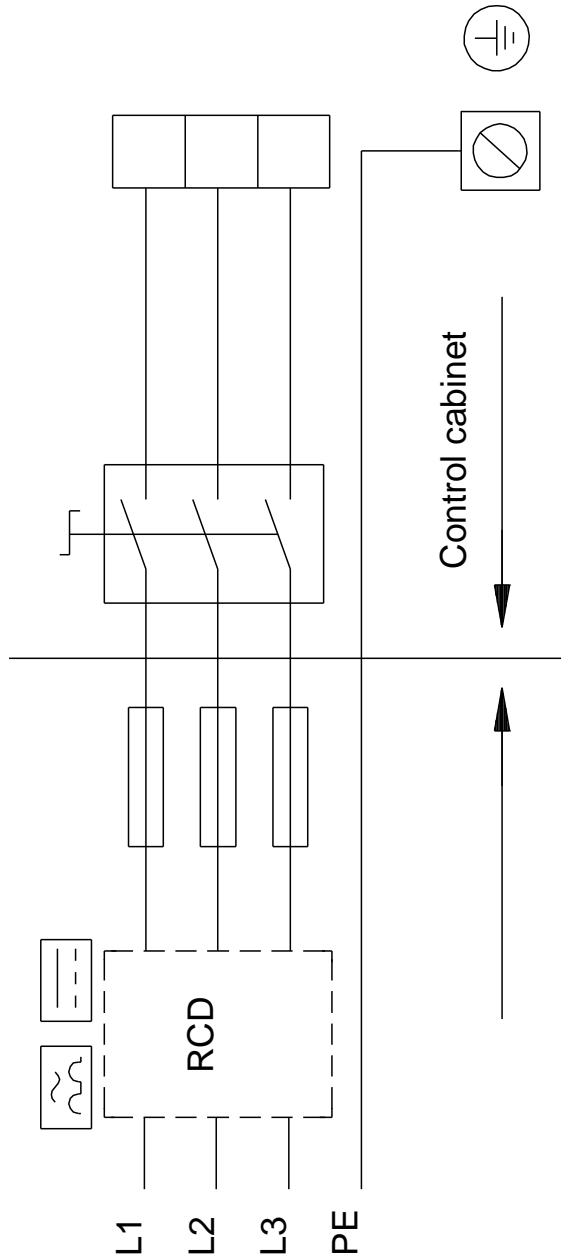


On request Hydro Multi-E 3 CRE 10-10 60 Hz



Note! All units are in [in] unless otherwise stated.
Disclaimer: This simplified dimensional drawing does not show all details.

On request Hydro Multi-E 3 CRE 10-10 60 Hz



All units are [in] unless otherwise presented.