

PROJECT:	Hydro MPC-CME Booster	UNIT TAG:	_____	QUANTITY:	1
REPRESENTATIVE:	Hurley Engineering	TYPE OF SERVICE:	Domestic Water Booster	DATE:	2/10/20
ENGINEER:	TBD	SUBMITTED BY:	Devin Carle	DATE:	_____
CONTRACTOR:	TBD	APPROVED BY:	_____	DATE:	_____
		ORDER NO.:	_____	DATE:	_____

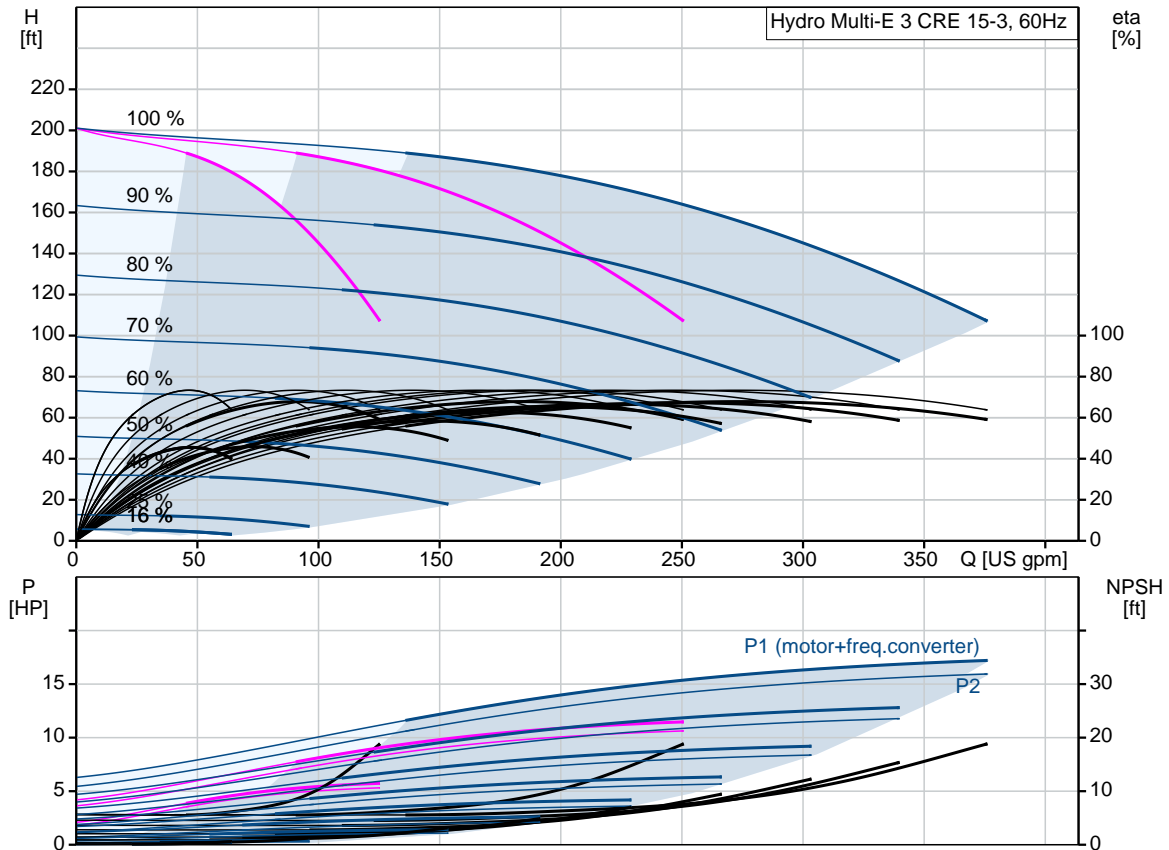


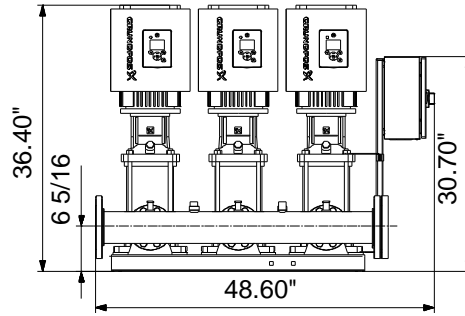
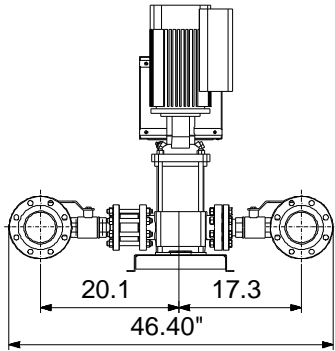
Product photo could vary from the actual product

## Hydro Multi-E 3 CRE 15-3

Energy efficient pressure boosting system for boosting of clean water. Available with 2-4 parallel connected frequency controlled pumps, integrated advanced controller and all necessary fittings.

Conditions of Service	Pump Data	Motor Data
Flow: _____	Maximum operating pressure: 232.06 psi	Rated voltage: 460 V
Head: _____	Liquid temperature range: 32 .. 176 °F	Main frequency: 60 Hz
Efficiency: _____	Product number: 99334052	
Liquid: Water		
Temperature: 68 °F		
NPSH required: _____		
Viscosity: _____		
Specific Gravity: 1.000		






**Materials:**

Pump housing: Cast iron

Manifolds: Stainless steel

Count	Description
1	<p data-bbox="288 405 606 439"><b>Hydro Multi-E 3 CRE 15-3</b></p>  <p data-bbox="694 689 1157 712">Product photo could vary from the actual product</p> <p data-bbox="288 719 566 741">Product No.: <a href="#">99334052</a></p> <p data-bbox="288 779 1332 831">A GRUNDFOS Hydro Multi-E booster set consists of 2 to 4 speed controlled CR pumps (CRE pumps).</p> <p data-bbox="288 837 1316 860">Each CRE pump is equipped with an integrated variable frequency drive motor (MLE motor).</p> <ul data-bbox="336 898 1364 1070" style="list-style-type: none"> <li>- Hydro Multi-E maintains constant pressure through continuous adjustment of the speed of the pumps.</li> <li>- The system performance is adapted to the demand through cutting in/out the required number of pumps and through parallel control of the pumps in operation.</li> <li>- Pump cascade control is based on first on first off to ensure equal pump wear.</li> <li>- All pumps in operation will run at equal speed.</li> </ul> <p data-bbox="288 1106 1332 1158">GRUNDFOS Hydro Multi-E booster sets are designed for pressure boosting of clean water in residential/commercial building, municipal, industrial, and irrigation applications.</p> <p data-bbox="288 1193 1372 1290">The control of the Hydro Multi-E system is accomplished through Proportional-Integral control via a multi-pump controller card mounted in one of the MLE motors. The Hydro Multi-E system start/stop and set-point adjustment is possible through the use of two push buttons located on the MLE motor or with the R100 remote controller.</p> <p data-bbox="288 1335 694 1357">The system consists of these parts:</p> <ul data-bbox="336 1364 1372 1709" style="list-style-type: none"> <li>- Suction manifold and discharge manifold made of 316 stainless steel.</li> <li>- Base frame made of 304 stainless steel.</li> <li>- One non-return valve (check valve), and two isolating valves for each pump.</li> <li>- Adapter with isolating valve for connection diaphragm tank.</li> <li>- Pressure gauge on suction and discharge manifolds.</li> <li>- Pressure transducer on discharge manifold.</li> <li>- Dry-running protection is standard with use of differential pressure switch on suction manifold.</li> <li>- A service disconnect switch located in a NEMA 3R enclosure is mounted to each pump for ease of service.</li> <li>- Grundfos bus communication with optional gateway connections for LON, Modbus, Profibus, BACnet, GSM</li> </ul> <p data-bbox="288 1747 1300 1798">When delivered, the GRUNDFOS Hydro Multi-E booster set is factory tested and ready for operation.</p> <p data-bbox="288 1834 805 1856">Diaphragm tank is available as an accessory.</p> <p data-bbox="288 1892 391 1915"><b>Liquid:</b></p> <p data-bbox="288 1921 798 2011">Pumped liquid: Water          Liquid temperature range: 32 .. 176 °F          Selected liquid temperature: 68 °F</p>

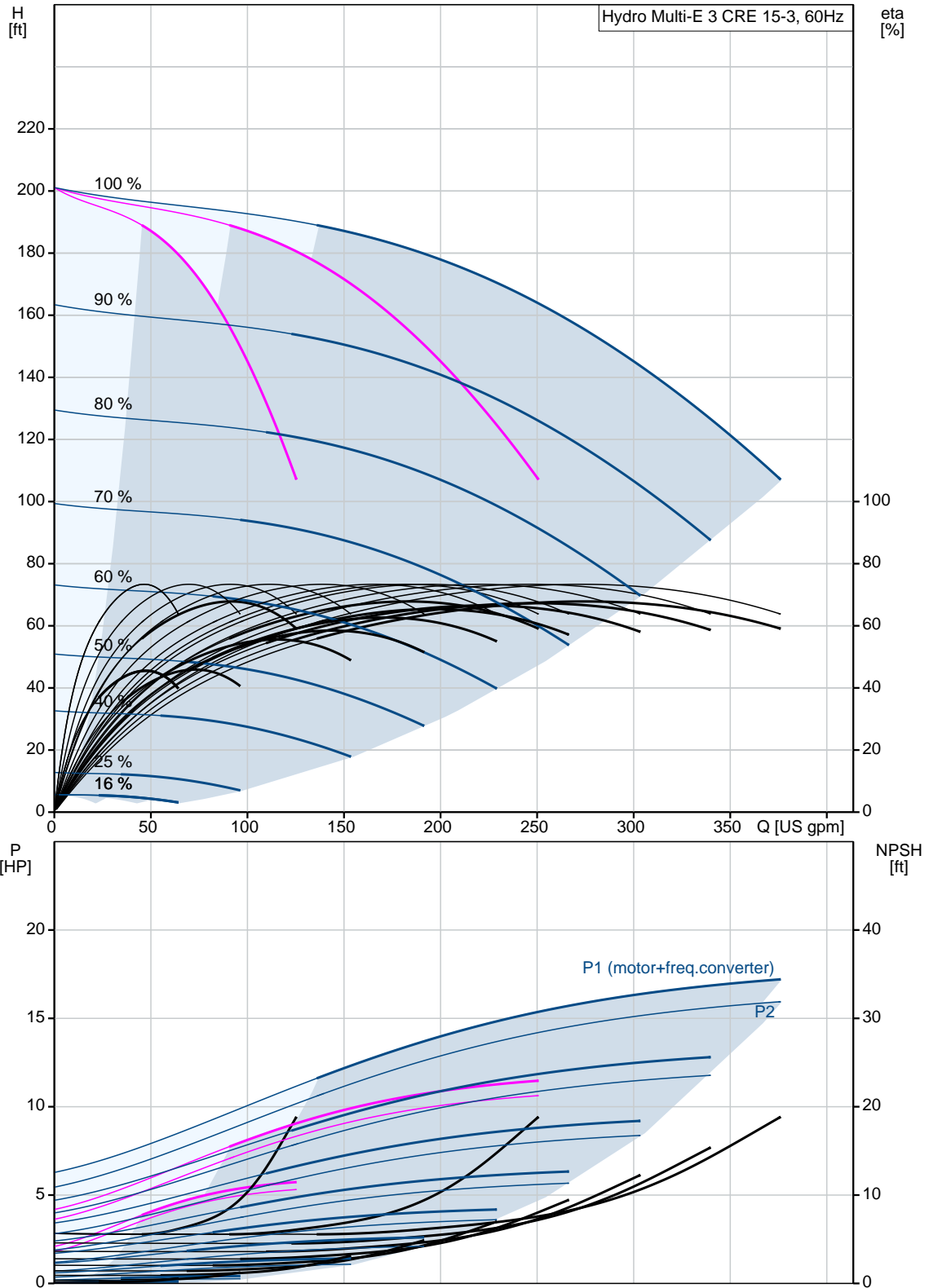


Company name: Hurley Engineering  
Created by:  
Phone:

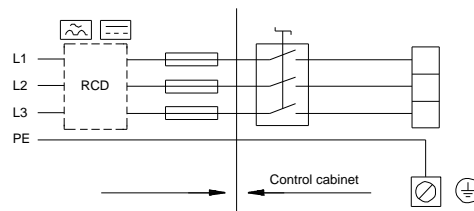
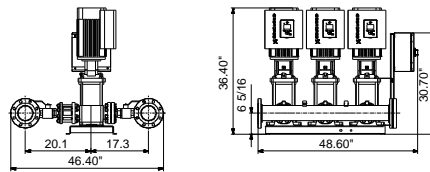
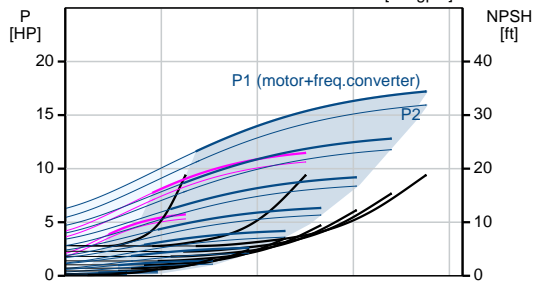
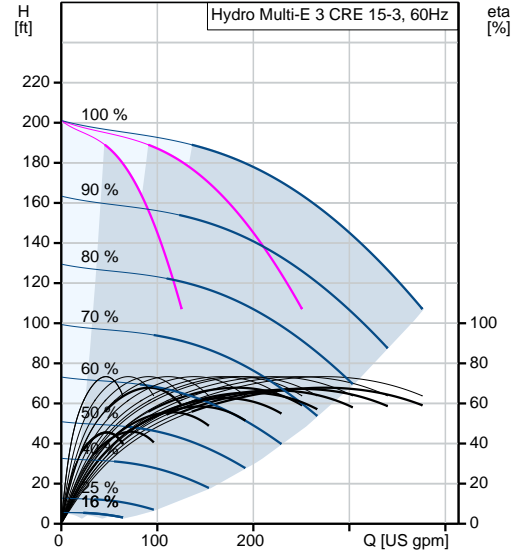
Date: 3/25/2020

Count	Description
	Density: 62.29 lb/ft <sup>3</sup>
	<b>Materials:</b>
	Pump housing: Cast iron
	<b>Installation:</b>
	Maximum operating pressure: 232.06 psi
	Maximum permissible inlet pressure: 145.04 psi
	Manifold inlet: 4" ANSI
	Manifold outlet: 4" ANSI
	<b>Electrical data:</b>
	Power (P2) main pump: 7.5 HP
	Main frequency: 60 Hz
	Rated voltage: 3 x 460 V
	Rated voltage main pump: 3 x 460 V
	Rated current: 26.7 A
	Start. method: electronically
	Radio interference supression: IEC/CISPR 11-1B
	<b>Tank:</b>
	Diaphragm tank: No
	<b>Others:</b>
	Net weight: 756 lb
	Gross weight: 1040 lb
	Shipping volume: 158 ft <sup>3</sup>
	Custom tariff no.: 8413.70.2040

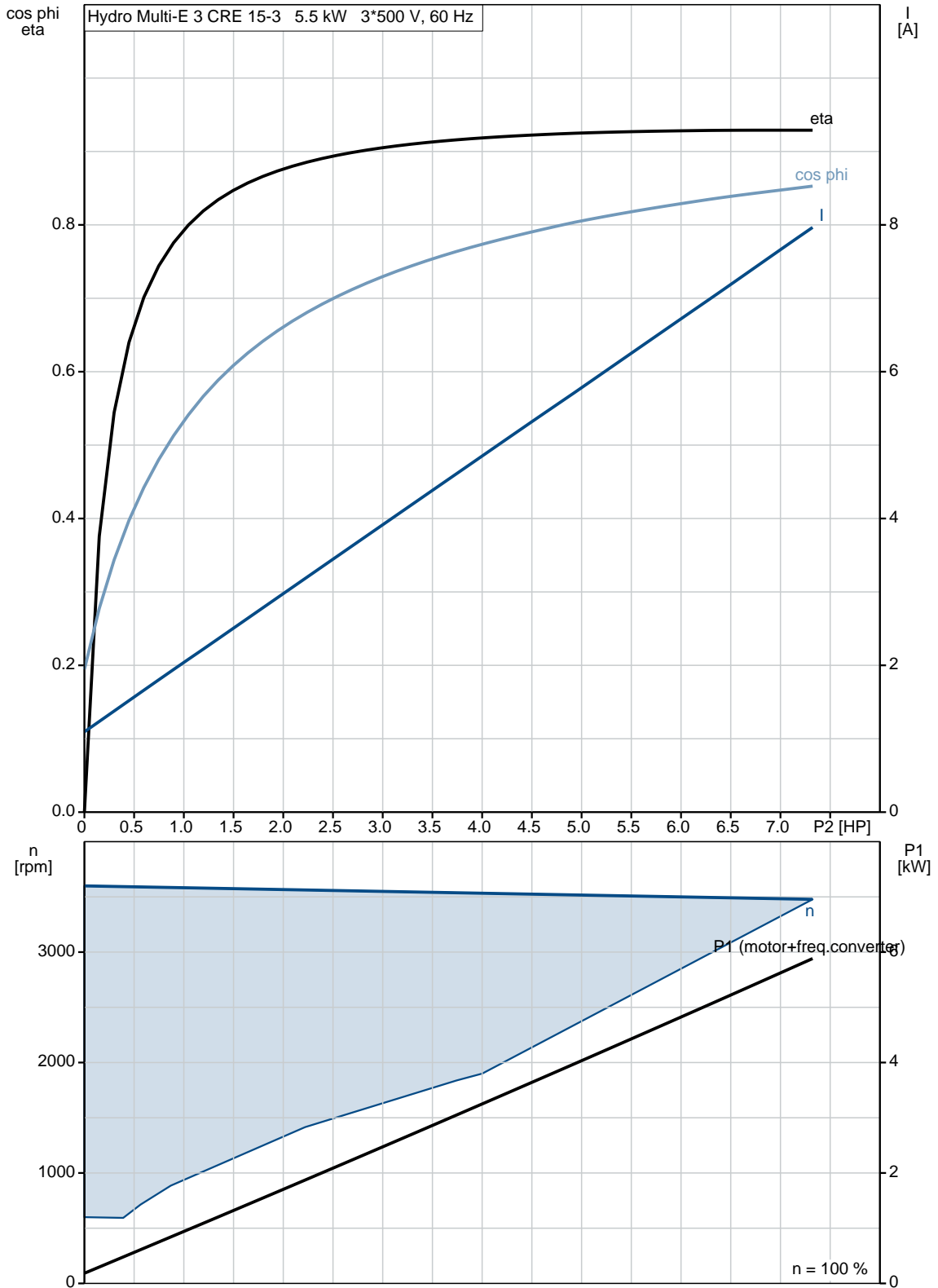
**99334052 Hydro Multi-E 3 CRE 15-3 60 Hz**



Description	Value
<b>General information:</b>	
Product name:	Hydro Multi-E 3 CRE 15-3
Product No.:	99334052
EAN:	5712609651112
	5712609651112
<b>Technical:</b>	
Min flow system:	0 US gpm
Max flow system:	361 US gpm
Maximum head:	201.1 ft
Pump name:	CRE15-3
Number of pumps:	3
<b>Materials:</b>	
Pump housing:	Cast iron
Manifolds:	Stainless steel
<b>Installation:</b>	
Maximum operating pressure:	232.06 psi
Maximum permissible inlet pressure:	145.04 psi
Manifold inlet:	4" ANSI
Manifold outlet:	4" ANSI
<b>Liquid:</b>	
Pumped liquid:	Water
Liquid temperature range:	32 .. 176 °F
Selected liquid temperature:	68 °F
Density:	62.29 lb/ft³
<b>Electrical data:</b>	
Power (P2) main pump:	7.5 HP
Main frequency:	60 Hz
Rated voltage:	3 x 460 V
Rated voltage main pump:	3 x 460 V
Rated current:	26.7 A
Start. method:	electronically
Radio interference supression:	IEC/CISPR 11-1B
<b>Tank:</b>	
Diaphragm tank:	No
<b>Others:</b>	
Net weight:	756 lb
Gross weight:	1040 lb
Shipping volume:	158 ft³
Sales region:	Namreg
Product range:	NAMREG
Custom tariff no.:	8413.70.2040



**99334052 Hydro Multi-E 3 CRE 15-3 60 Hz**

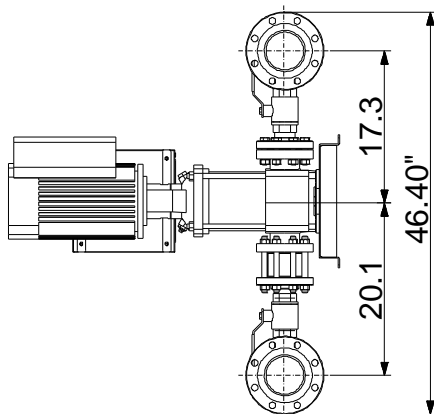
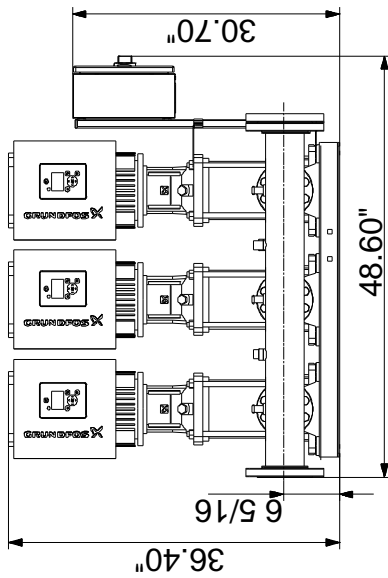




Company name: Hurley Engineering  
Created by:  
Phone:

Date: 3/25/2020

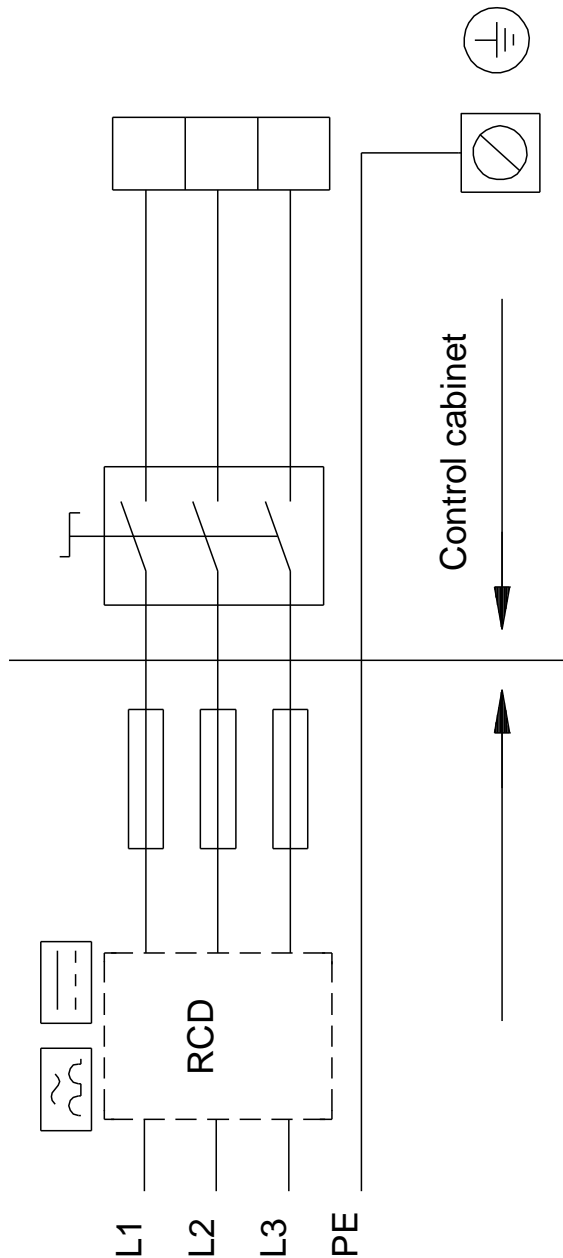
## 99334052 Hydro Multi-E 3 CRE 15-3 60 Hz



Note! All units are in [in] unless otherwise stated.  
Disclaimer: This simplified dimensional drawing does not show all details.



**99334052 Hydro Multi-E 3 CRE 15-3 60 Hz**



All units are [in] unless otherwise presented.