

PROJECT:	Hydro MPC-CME Booster	UNIT TAG:	_____	QUANTITY:	1
REPRESENTATIVE:	Hurley engineering	TYPE OF SERVICE:	Domestic Water Booster	DATE:	2/10/20
ENGINEER:	TBD	SUBMITTED BY:	Devin Carle	DATE:	_____
CONTRACTOR:	TBD	APPROVED BY:	_____	DATE:	_____
		ORDER NO.:	_____	DATE:	_____

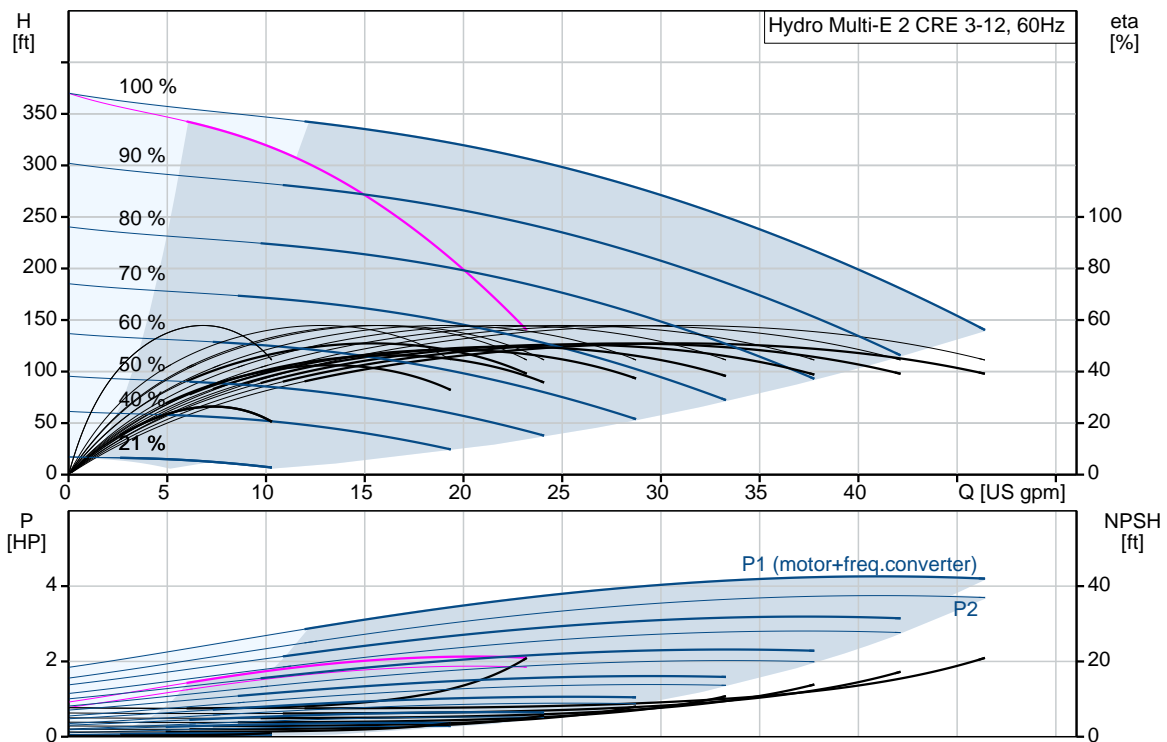


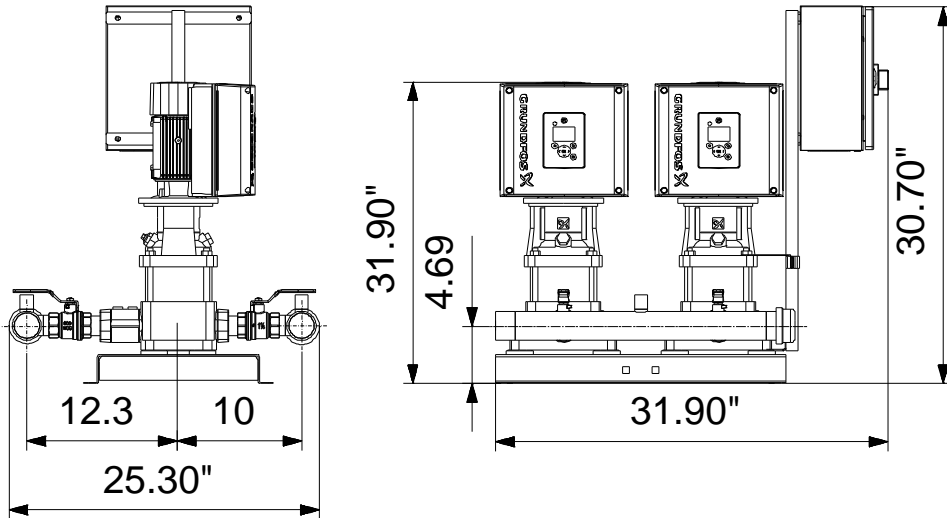
Product photo could vary from the actual product

Hydro Multi-E 2 CRE 3-12

Energy efficient pressure boosting system for boosting of clean water. Available with 2-4 parallel connected frequency controlled pumps, integrated advanced controller and all necessary fittings.

Conditions of Service	Pump Data	Motor Data
Flow: _____	Maximum operating pressure: 232.06 psi	Rated voltage: 208-230 V
Head: _____	Liquid temperature range: 32 .. 140 °F	Main frequency: 60 Hz
Efficiency: _____	Product number: On request	
Liquid: Water		
Temperature: 68 °F		
NPSH required: ft		
Viscosity: _____		
Specific Gravity: 1.000		






Materials:

Pump housing: Cast iron

Manifolds: Stainless steel

Count	Description
1	<p data-bbox="300 414 598 443">Hydro Multi-E 2 CRE 3-12</p> <div data-bbox="304 459 678 817"></div> <p data-bbox="694 795 1149 824">Product photo could vary from the actual product</p> <p data-bbox="300 828 582 857">Product No.: On request</p> <p data-bbox="300 891 1332 981">A GRUNDFOS Hydro Multi-E booster set consists of 2 to 4 speed controlled CR pumps (CRE pumps). Each CRE pump is equipped with an integrated variable frequency drive motor (MLE motor).</p> <ul data-bbox="343 1008 1364 1182" style="list-style-type: none">- Hydro Multi-E maintains constant pressure through continuous adjustment of the speed of the pumps.- The system performance is adapted to the demand through cutting in/out the required number of pumps and through parallel control of the pumps in operation.- Pump cascade control is based on first on first off to ensure equal pump wear.- All pumps in operation will run at equal speed. <p data-bbox="300 1214 1324 1265">GRUNDFOS Hydro Multi-E booster sets are designed for pressure boosting of clean water in residential/commercial building, municipal, industrial, and irrigation applications.</p> <p data-bbox="300 1303 1372 1400">The control of the Hydro Multi-E system is accomplished through Proportional-Integral control via a multi-pump controller card mounted in one of the MLE motors. The Hydro Multi-E system start/stop and set-point adjustment is possible through the use of two push buttons located on the MLE motor or with the R100 remote controller.</p> <p data-bbox="300 1444 694 1473">The system consists of these parts:</p> <ul data-bbox="343 1473 1372 1818" style="list-style-type: none">- Suction manifold and discharge manifold made of 316 stainless steel.- Base frame made of 304 stainless steel.- One non-return valve (check valve), and two isolating valves for each pump.- Adapter with isolating valve for connection diaphragm tank.- Pressure gauge on suction and discharge manifolds.- Pressure transducer on discharge manifold.- Dry-running protection is standard with use of differential pressure switch on suction manifold.- A service disconnect switch located in a NEMA 3R enclosure is mounted to each pump for ease of service.- Grundfos bus communication with optional gateway connections for LON, Modbus, Profibus, BACnet, GSM <p data-bbox="300 1854 1292 1908">When delivered, the GRUNDFOS Hydro Multi-E booster set is factory tested and ready for operation.</p> <p data-bbox="300 1944 798 1973">Diaphragm tank is available as an accessory.</p> <p data-bbox="300 2004 391 2033">Liquid:</p>

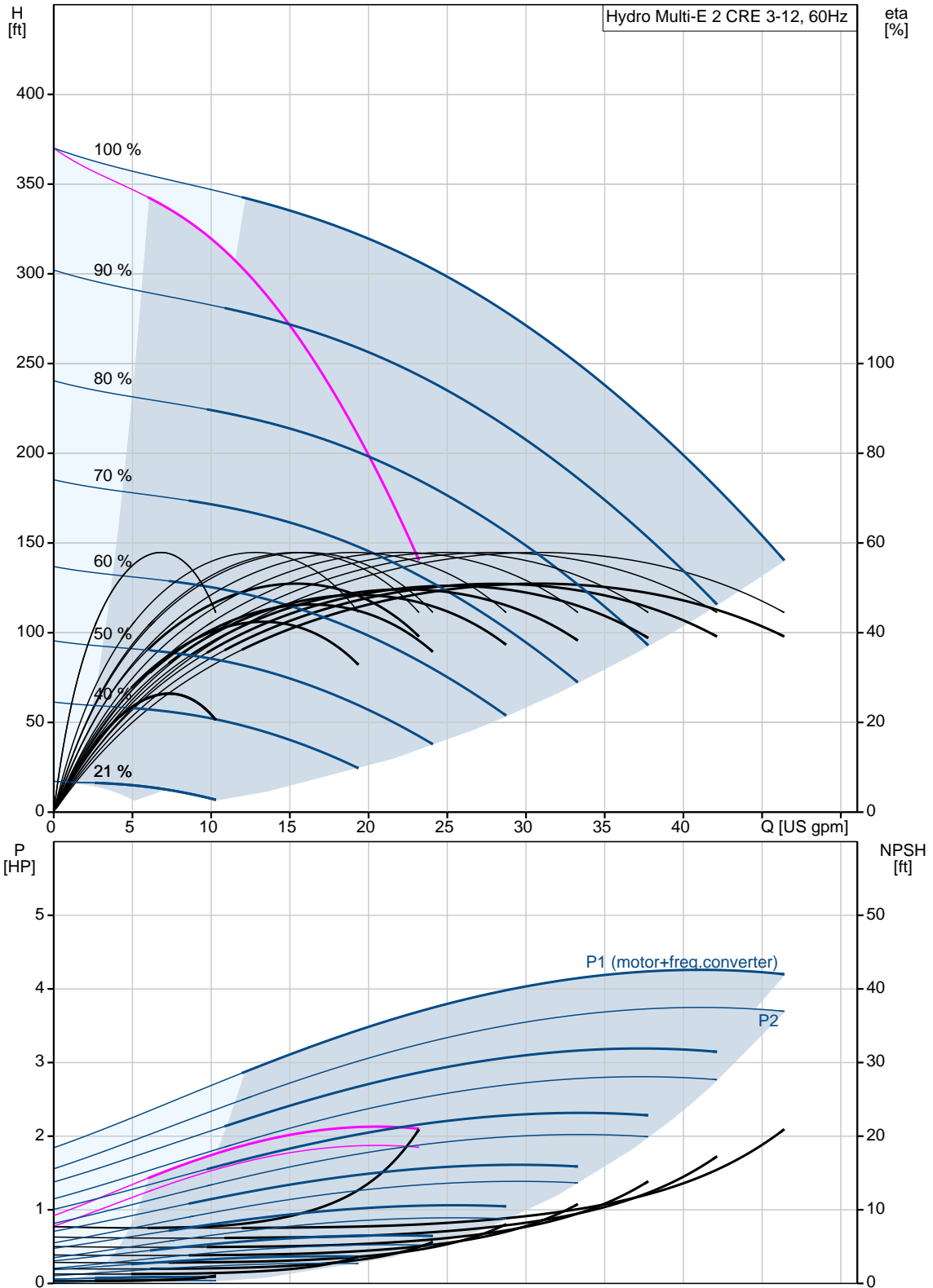


Company name: Hurley Engineering
Created by:
Phone:

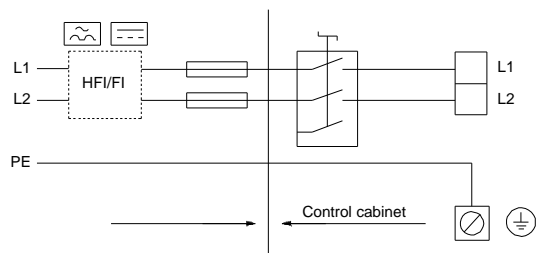
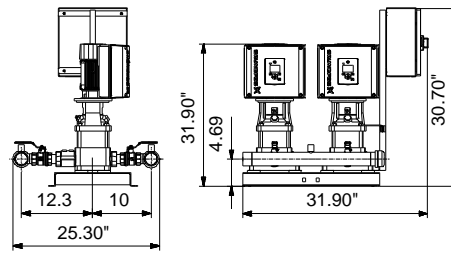
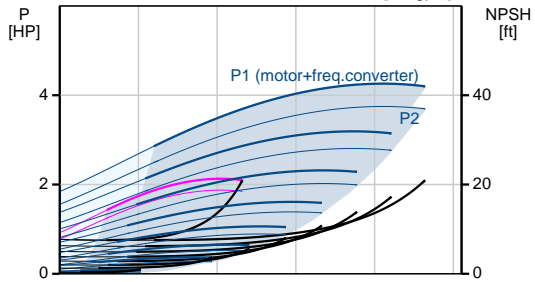
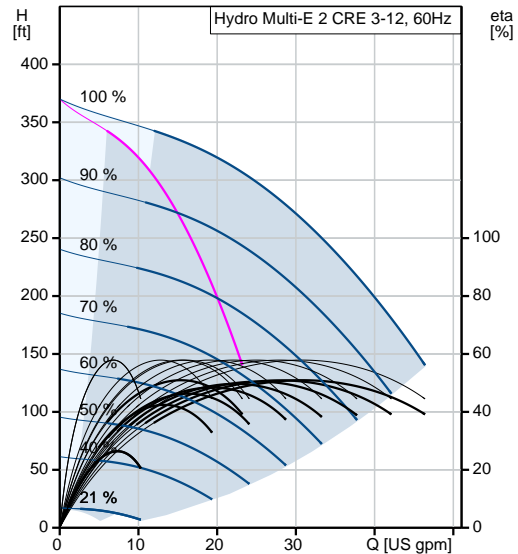
Date: 3/24/2020

Count	Description
	<p>Pumped liquid: Water Liquid temperature range: 32 .. 140 °F Selected liquid temperature: 68 °F Density: 62.29 lb/ft³</p> <p>Materials: Pump housing: Cast iron</p> <p>Installation: Maximum operating pressure: 232.06 psi Maximum permissible inlet pressure: 145.04 psi Manifold inlet: 2" NPT Manifold outlet: 2" NPT</p> <p>Electrical data: Power (P2) main pump: 2 HP Main frequency: 60 Hz Rated voltage: 1 x 208-230 V Rated voltage main pump: 1 x 208 V Rated current: 18.2 A Start. method: electronically Radio interference supression: IEC/CISPR 11-1B</p> <p>Tank: Diaphragm tank: No</p> <p>Others: Net weight: 202 lb Gross weight: 295 lb Shipping volume: 33.9 ft³</p>

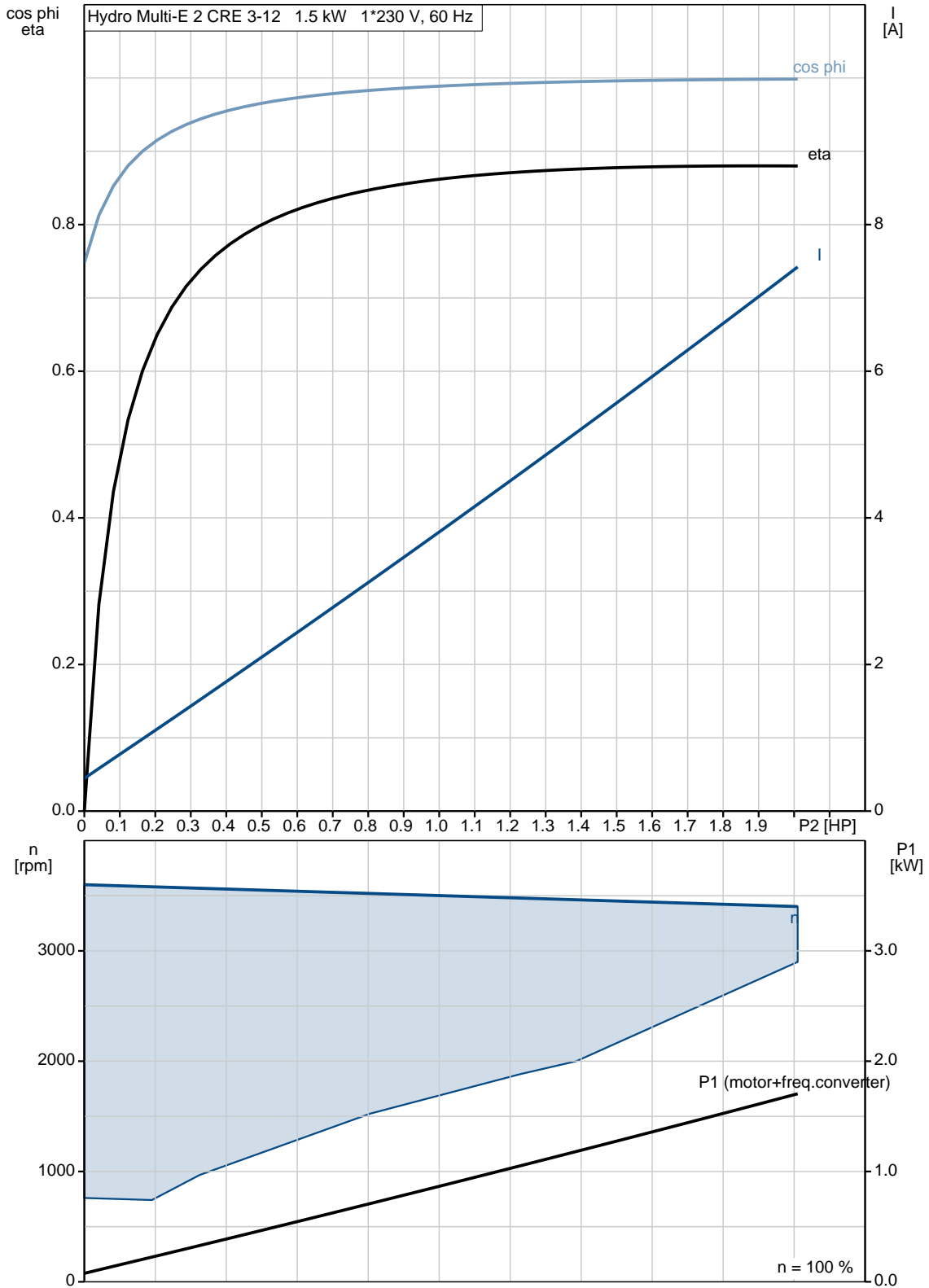
On request Hydro Multi-E 2 CRE 3-12 60 Hz



Description	Value
General information:	
Product name:	Hydro Multi-E 2 CRE 3-12
Product No.:	On request
EAN:	On request
Technical:	
Min flow system:	0 US gpm
Max flow system:	48.4 US gpm
Maximum head:	373 ft
Pump name:	CRE3-12
Number of pumps:	2
Materials:	
Pump housing:	Cast iron
Manifolds:	Stainless steel
Installation:	
Maximum operating pressure:	232.06 psi
Maximum permissible inlet pressure:	145.04 psi
Manifold inlet:	2" NPT
Manifold outlet:	2" NPT
Liquid:	
Pumped liquid:	Water
Liquid temperature range:	32 .. 140 °F
Selected liquid temperature:	68 °F
Density:	62.29 lb/ft ³
Electrical data:	
Power (P2) main pump:	2 HP
Main frequency:	60 Hz
Rated voltage:	1 x 208-230 V
Rated voltage main pump:	1 x 208 V
Rated current:	18.2 A
Start. method:	electronically
Radio interference supression:	IEC/CISPR 11-1B
Tank:	
Diaphragm tank:	No
Others:	
Net weight:	202 lb
Gross weight:	295 lb
Shipping volume:	33.9 ft ³
Sales region:	Namreg
Product range:	NAMREG



On request Hydro Multi-E 2 CRE 3-12 60 Hz

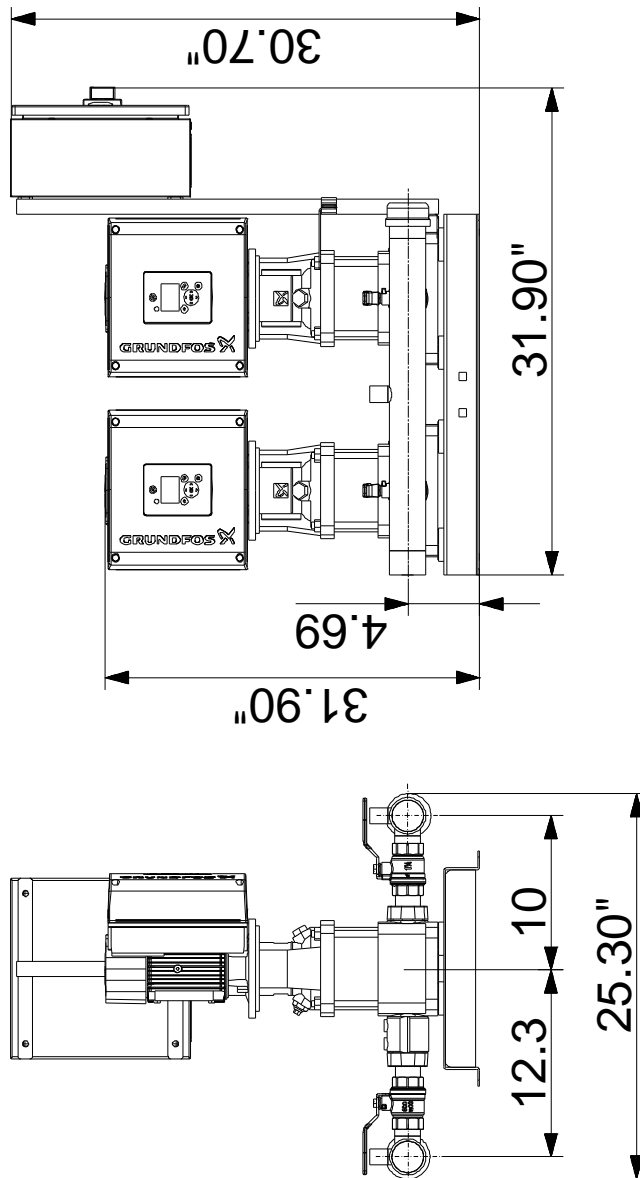




Company name: Hurley Engineering
Created by:
Phone:

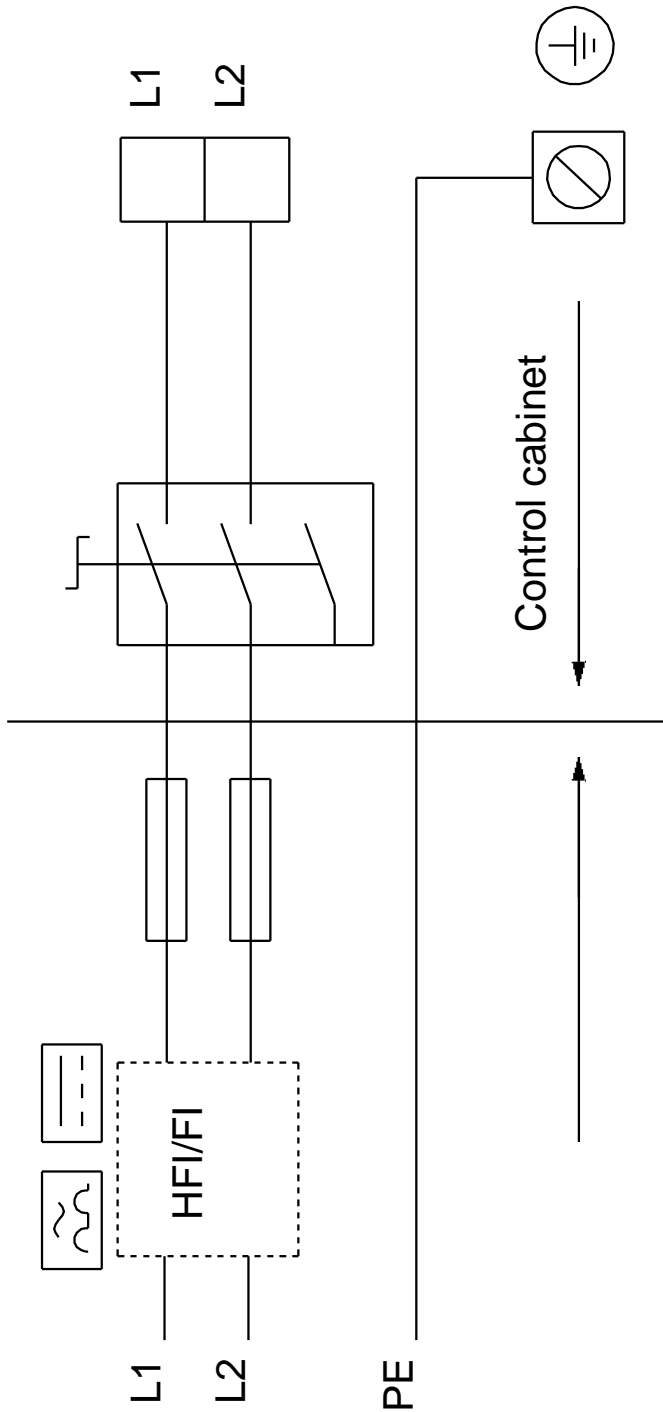
Date: 3/24/2020

On request Hydro Multi-E 2 CRE 3-12 60 Hz



Note! All units are in [in] unless otherwise stated.
Disclaimer: This simplified dimensional drawing does not show all details.

On request Hydro Multi-E 2 CRE 3-12 60 Hz



All units are [in] unless otherwise presented.